



SeaEra

A quality inexpensive electric marine toilet that meets boaters' demand for a small footprint.

Benefits

- Uncompromising quality for the most demanding boaters
- Economical electric macerating marine toilet
- Simple and flexible installation for mounting above or below waterline
- Bowl can be rotated 90° for mounting into confined spaces and retrofit mounting
- Heavy-duty marine push-button switch included with all models
- Sea water models include an in-line strainer
- Pressurized freshwater models include vacuum breaker
- Fits 1½" (38mm) or 1" (25mm) discharge line with no adapters
- Easy to clean and maintain
- Can be run dry without damaging the pump
- Low power consumption and quieter operation for on-board pressurized freshwater models
- Can be used with on-board treatment systems (such as the Lectra/San®) and/or holding tanks
- Each unit is assembled by hand, individually tested and backed by Raritan's one-year Limited Warranty and legendary technical support team

Options

- Available in raw water or on-board pressurized freshwater models
- Operates on 12, 24, 32V DC or 120/240V AC
- Ninety degree 1½" (38mm) discharge fitting available

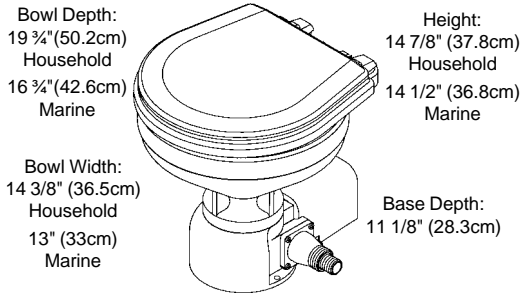
Raritan manufactures equipment for pleasure boats throughout the world. Products include marine toilets, waste treatment systems, icemakers and water heaters.

Committed to the environment and preserving sea life, Raritan designs products to help maintain an environmental balance and ensure the quality of marine waters. In addition, the company has achieved ISO 9001 certification for quality.

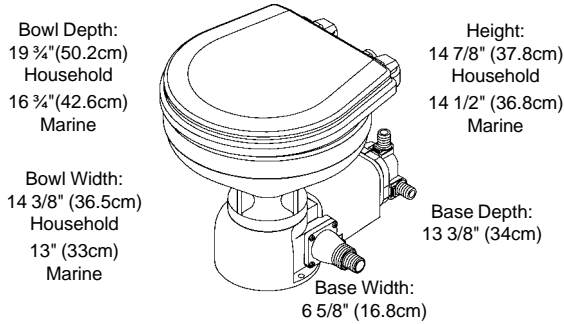
Innovation Through Experience

SeaEra

Pressurized Freshwater or Remote Sea Water Model



Integral Sea Water Model

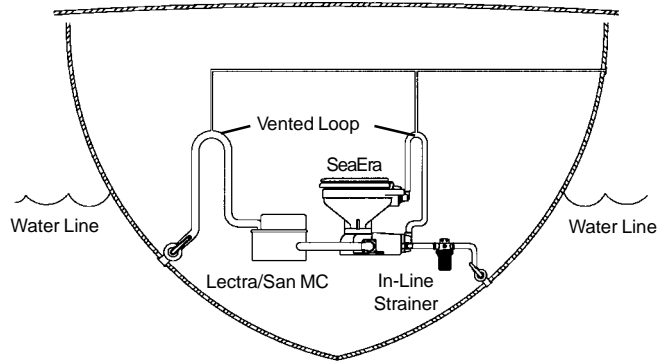


The SeaEra is an economical electric macerating toilet that fits into confined spaces. This toilet was designed to meet the needs of boaters.

Engineering has developed a new built-in discharge fitting that can accept either 1 1/2" (38mm) or 1" (25mm) discharge lines without the need for an adapter. The SeaEra's discharge pump can handle a vented loop with a maximum height of five feet (1.52m) and utilizes a full-sized joker valve to help avoid clogging.

The inlet pump can lift water from four feet (1.22m) below the toilet and can be run dry without damaging the pump. To simplify a new installation or a retrofit, water can be routed from either side of the inlet pump using interchangeable 3/4" (19mm) hose barb fittings (two straight and one 90°), which are included.

Integral Intake Pump Installation Below Waterline



Specifications

Units Voltage	Integral Pump Model	Remote Pump Model	Freshwater Solenoid Model
	Amp. draw @ nominal voltage	Amp. draw @ nominal voltage	Amp. draw @ nominal voltage
12 VDC	18	23	13
24 VDC	10	12.5	7.5
32 VDC	7.5	9	5

Additional parts that are needed for installation:

Four stainless steel mounting bolts or lag screws (minimum 1/4" [6mm]) and washers, 1" (25mm) or 1 1/2" (38mm) I.D. discharge hose, 3/4" (19mm) I.D. intake hose, hose clamps, wire, fuses or circuit breakers.

Approximate Shipping Weight: 38-40lbs (17-18kg)

Product Models

160	SeaEra	H Household-style, white bowl	I Integral pump	0 Straight Discharge	12 Specify Voltage
		M Marine-size, white bowl	R Remote Seawater Pump	9 90° Discharge	24
		L Conversion Kit	F Freshwater Solenoid		32
					24T 120/240

To order the correct unit for your installation make one selection from each column above.

Model sample: 160HF012 - SeaEra, Household-style, Pressurized Freshwater, straight discharge, 12V

Conversion Kit sample: 160LI912 - SeaEra Conversion Kit, Integral pump, 90° discharge, 12V

Additional models are available. Call Raritan Technical Support for assistance in ordering the model that best suits your application.

L1039 0203kgs

For more information contact:

Raritan Engineering Company Inc.
 530 Orange Street, PO Box 1157
 Millville, NJ 08332, USA
 Telephone: 856-825-4900
 FAX: 856-825-4409
 e-mail: info@raritaneng.com
www.raritaneng.com

Southern Plant and Office
 3101 SW 2nd Avenue
 Ft. Lauderdale, FL 33315 USA
 Telephone: 954-525-0378
 FAX: 954-764-4370



Innovation Through Experience