



RARITAN

MODEL "PHT" PORTABLE COMPACT HOLDING TANK OWNER'S MANUAL

DESCRIPTION

The RARITAN Portable Compact Holding Tank is the sister model to the Compact Permanent Holding Tank. It is the same shape, capacity, overall size, has the same characteristics and the same Type III certification. There are only minor differences between the two tanks. These differences are outlined below.

A. The inlet fitting, part number CHTT-2, is replaced with inlet fitting part number CHTT-2P. This is a two-part fitting that separates to allow the tank to be disconnected from the head. Along with this fitting is a cap to seal the tank while it is being transported. This cap comes with a ball chain to allow it to be handy when needed. The inlet cap and chain are part number CHTT-15P.

B. The outlet fitting, part number CHTT-3, is replaced with a solid cap that is removable for the purpose of emptying the tank. The outlet cap is part number CHTT-3P.

C. Part number CHTT-16P is added. This is a vent fitting cap with chain; it allows the vent fitting to be sealed after disconnecting for tank removal.

D. The deck pumpout fitting, part number CHTT-7 and its adapter, part number CHTT-14 are eliminated as they are not required for a portable installation.

INSTALLATION INSTRUCTIONS

The installation instructions are the same as for the Permanent Compact Holding Tank. The wooden blocks as described in paragraph 2, under MOUNTING, are still required. Likewise, the vent fitting must be installed as

described in paragraph 3, under PLUMBING.

The MAINTENANCE, STORAGE, and TROUBLESHOOTING instructions are the same as for the Permanent Compact Holding Tank.

EMPTYING

Unlike the Permanent Compact Holding Tank the portable does not require dock-side pumpout. To empty the tank, the head should first be pumped several times to assure that all sewage is out of the waste hose, part number CHTT-8. Disconnect the two halves of the inlet fitting and screw on the inlet cap to seal the tank. Disconnect the tank vent fitting and screw on the vent fitting cap to again seal the tank. Lift the tank from its mounting blocks and remove to a proper facility for emptying. To empty the contents, remove the outlet cap, part number CHTT-3P.

A small amount (1 oz.) of Raritan Anti-Pollution Concentrate or 1 cup of "Clorox" poured into the holding tank after emptying will hold down odor and help break up solids in the tank.

CAUTION; When handling Raritan Anti-Pollution Concentrate or "Clorox" avoid direct contact with skin or clothing.

If it does come in contact, flush the area thoroughly with water.

SPECIFICATIONS

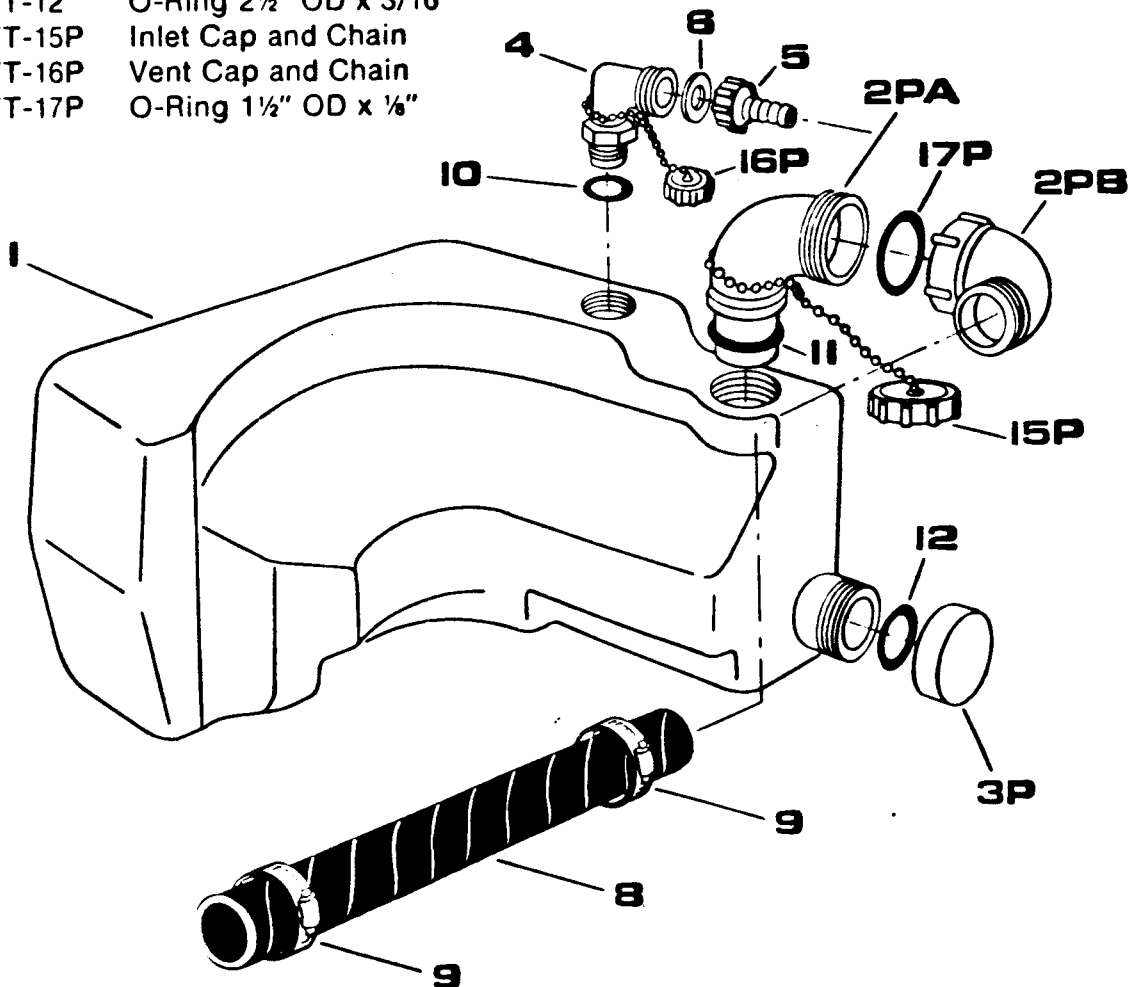
The specifications for the Portable are the same as for the Permanent with the exception of the US Coast Guard Certification Number. The Portable is certified under section 159.12 A of the Department of Transportation's *Coast Guard Rules and Regulations for Recreational Boats*, 15 September 1978.

RARITAN COMPACT PORTABLE HOLDING TANK PARTS LIST

Part No.	Part Name
CHTT-1	Tank
CHTT-2PA	Upper Inlet Fitting
CHTT-2PB	Lower Inlet Fitting
CHTT-3P	Outlet Cap
CHTT-4	Tank Vent Fitting
CHTT-5	Tank Vent Fitting Cap
CHTT-6	Fitting Cap Washer
CHTT-8	Waste Hose 1½" ID x 16"
CHTT-9	Hose Clamps (2)
CHTT-10	O-Ring 1½" OD x ⅛"
CHTT-11	O-Ring 1¾" OD x ⅛"
CHTT-12	O-Ring 2½" OD x 3/16"
CHTT-15P	Inlet Cap and Chain
CHTT-16P	Vent Cap and Chain
CHTT-17P	O-Ring 1½" OD x ⅛"

HOW TO ORDER

Any part for the compact holding tank can be ordered through your dealer or factory direct. To speed delivery and eliminate the possibility of error, please specify part number and part name as listed. For trouble-free service, always order genuine Raritan parts.



RARITAN ENGINEERING COMPANY

1025 North High Street, Millville, New Jersey 08332. U.S.A.
Telephone: 609/825-4900 TWX: 510-687-7545 RARITAN MIVE

Southern Office and Warehouse:
3101 S.W. Second Avenue, Fort Lauderdale, Florida 33315. U.S.A.
Telephone: 305/525-0378

Specifications subject to change without notice.
© Raritan Engineering Company 1980
Printed in U.S.A.