



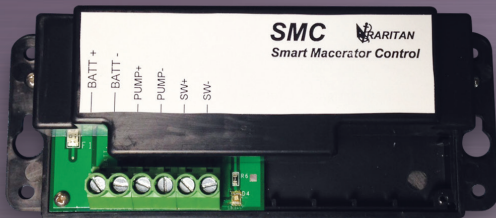
MACERATOR PUMP

NEW!

FEATURES OF THE RARITAN MACERATOR THAT SEPARATE IT FROM THE COMPETITION:

Optional Waste Valve Assembly isolates the waste matter from the pump during maintenance. This new feature allows you to remove the pump without disconnecting plumbing.

- All stainless steel bolts to avoid corrosion problems.
- Spring loaded Viton shaft seal is used to prevent premature leaks
- Our proprietary rubber impeller compound allows longer dry running time.



NEW!

ALSO AVAILABLE

SMART MACERATOR CONTROL

MONITORS MOTOR AND PUMP TO PREVENT DRY RUN AND OVERLOAD.

SMC control has following features:

- *if pump doesn't prime in 7 seconds or runs dry for 5 seconds control will shut down pump.*
- *SMC control can be reset by turning off and on switch. Power need not be turned off.*
- *If power is not turned off to the control, control will jog macerator pump for few milliseconds every seven days to prevent binding of impeller.*
- *If pump draws more than 20 amps, control will shut down pump.*

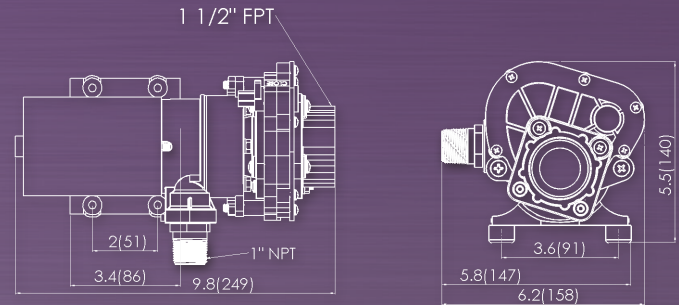
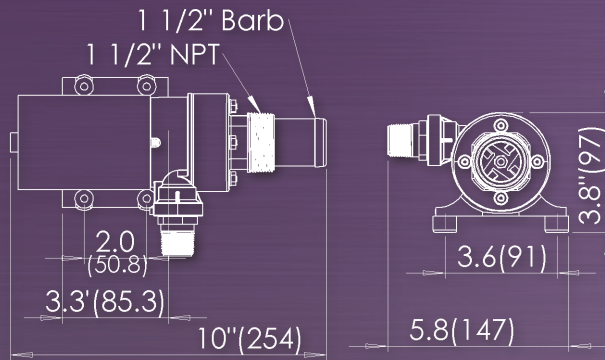
Raritan products are chosen by powerboat, sailboat, houseboat, and RV owners and manufacturers the world over for their dependability, environmental responsibility, simplicity of installation, operation, and maintenance. The product line includes house-hold style toilets, marine toilets, marine sanitation devices and systems, cleaning products, icemakers, water heaters, and rudder angle indicators.

To view our complete line as well as obtain installation and servicing guides: visit www.raritaneng.com

PART NUMBERS:

53100 (Macerator pump with barb fitting)

53101 (Macerator pump with waste valve)



SPECIFICATION:

PUMP: Self priming Flexible rubber impeller with Stainless steel wearplate

Impeller: Raritan Proprietary Nitrile compound

Blade: Stainless steel double cut

Seal: Viton Lip with 316 SS spring and case

Motor: Permanent magnet type, fully enclosed, stainless steel shaft, thermal protection for overload, Powder coated housing with sealed ball bearing

Ports: Inlet: 1-1/2" hose barb & 1-1/2" NPT Male
Outlet: 3/4" MNPT

Lead wires: 14 GA, Red and black

Weight: 5 lbs.

Approvals: Ignition protected, ISO 8846

HEAD VS FLOW RATES

Head Ft [m]	Flow gpm[lpm]	Max DC Amps	
		12V	24V
0 [0]	11[42]	10.9	5.4
5 [1.5]	10.1[38]	11.1	5.6
10 [3]	9[34]	11.4	5.8
15 [4.6]	7.7[29]	11.8	5.9
20 [6.1]	6.4 [24]	12.3	6.2

Maximum Operating Head = 30 feet



www.RARITANENG.com

Raritan Engineering Company Inc.

530 Orange Street

Millville, NJ 08322, USA

Telephone: 856-825-4900 | Fax: 856-825-4409

e-mail: info@raritaneng.com

Southern Plant and Office

3101 SW 2nd Avenue

Ft. Lauderdale, FL 33315, USA

Telephone: 954-525-0378 | Fax: 954-764-4370