

# ATLANTES FREEDOM™



## **NEW 8/05**

Powerful bronze cutting blades designed to “shred” most objects

Two bowl sizes: standard household or elongated

Freedom from clogged toilets and marine size bowls, excellent performance even in commercial applications.

### **Standard Features**

- One piece china bowl
- Anti-clog “power shred” discharge system

### **Benefits**

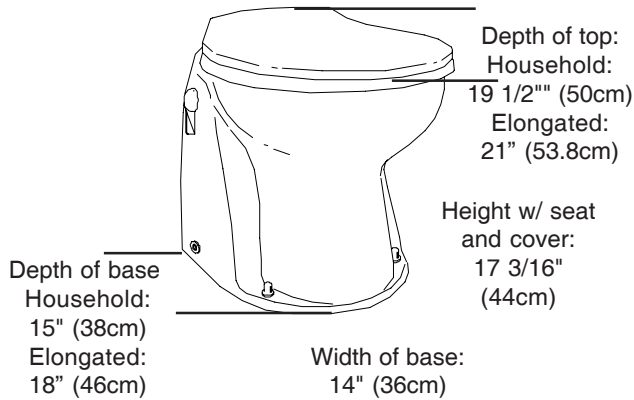
- Quiet “whisper flush” models available
- Simple flexible installation
- Heavy duty attractive stainless steel flush handle
- Low power consumption
- Three modes of operation - Fill, dry flush or fill and flush
- Handle with timer operation has “fail-safe” mode
- Easy to clean and maintain
- Diaphragm intake pump can be run dry
- Pressurized freshwater or raw water intake models
- Microprocessor control and solid state circuit breaker
- No fuses or relays inside the unit

### **Options**

- Available in 12, 24, 32V DC 120/240 VAC
- Elongated (white and bisque) or Household size (white, bone and black) bowls
- Wall switch and timer control models available

**FRARITAN**  
A GENIUS FOR WATER IN ALL ITS FORMS

# ATLANTES FREEDOM™

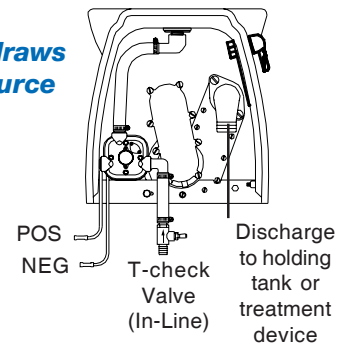


**Three basic models, all are available in Remote, Integral or Pressurized Freshwater:**

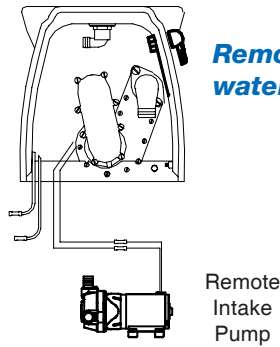
- A7 - Momentary operation activated by the sturdy stainless steel handle.**
- A8 - Timed operation activated by the sturdy stainless steel handle. Equipped with a "fail-safe" mode if timer fails.**
- A9 - Timed operation activated by a wall touch pad. Allows for water saver feature using as little as 1 quart of water per flush.**

## Simple Installation in all applications

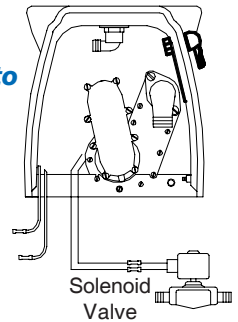
**Integral Intake pump draws water from outside source**



**Remote Intake pump draws water from outside source**



**Freshwater Solenoid connects to onboard water pressure system**



## Product Models

A	Atlantes	Bowl Style Household (standard) L Elongated Bowl	7	Stainless Handle	Bowl Color White (standard) A Bone (household) Bisque (elongated) B Black (household)	Pump style Integral pump (standard) R Remote Sea water Pump F Freshwater Solenoid	12	Specify
			8	Stainless Handle with Toilet Control (for timed operation)			24	Voltage
			9	Wall Switch with Water Saver Feature			32	
							24T	120/240

To order the correct unit for your installation make one selection from each column above.

### Model samples:

A712 - Atlantes, Stainless Handle, white bowl, integral intake pump, 12V

AL9AR24 - Atlantes, Elongated Bowl, Wall Switch, Bisque, remote intake pump, 24V

## Specifications

Units Voltage	Intake pump Models Amp. draw @ nominal voltage	Freshwater Solenoid Model Amp. draw @ nominal voltage
12 VDC	20	11
24 VDC	10	5.5
32 VDC	8	4.5