

### Series BT BioTech Pump with Autoclavable Head

#### Key Features

- Removable head and diaphragm assembly designed to be autoclaved and returned to service without compromising sterility.
- Rugged electronic solenoid diaphragm pump designed for constant flow rates over months of continuous operation.
- Automatic control via 4-20 mA and 20-4 mA current signals can be proportioned from 100% to 1% of incoming signal.
- Manual control allows for a combined 1000:1 turndown resulting in accurate metering for critical applications.
- Flow Rates expressed as percentage or in milliliters per minute.
- Relay output for computer interface or AC power allows for external control.
- Six-button touch pad control with internationally recognized symbols for simplified programming.
- Simple prompts in plain language allow for easy-to-understand instructions for programming. **Available in three languages.**
- Alarm signals for signal loss, full count and circuit failure. Liquid low level indicator capability is standard.
- LCD, 16 character dot matrix backlit multi-lingual display allows for easy reading and user-friendly directions.
- **Extended Two Year Warranty** on electronic circuit board for trouble free service.

#### Complete Economical Selection

Three distinct models are available, having pressure capabilities to 100 PSIG @ 12 GPD and 94 GPD in addition to 500 GPD @ 20 PSIG, with turndown ratios up to 1000:1. Metering performance is reproducible to within  $\pm 2\%$  of maximum capacity.

Pump heads and cartridge check valve assemblies are stocked in stainless steel, which safely handles a wide variety of fluids for the bio-tech industry.

Please refer to the reverse side for Series BT specifications.

#### Operating Benefits

**Reliable metering performance.** Our guided check valves, with their state-of-the-art seat and ball designs, provide precise seating, and excellent priming and suction lift characteristics. Our timing circuit is highly reliable and, by design, virtually unaffected by temperature, EMI and other electrical disturbances.

For additional information about PULSAtron's full-featured Series E PLUS refer to Technical Sheet No. EMP-021, about the mid-range Series E & Series A PLUS refer to Technical Sheet No. EMP-022 & EMP-025. For information about the economical Series C PLUS & Series C, refer to Technical Sheet No. EMP-026 & EMP-024.

SPECIFICATIONS SUBJECT TO CHANGE WITHOUT NOTICE.

**Rated "hot" for continuous duty.** Series MP pumps continue to meet their specifications for pressure and capacity even during extended use. That's because of our high quality solenoid and special enclosure that effectively dissipates heat.

**Leak-free, sealless, liquid end.** Our diaphragms are of superior construction—teflon-faced, bonded to a composite of Hypalon and fabric layers, and reinforced with a metal insert for optimum flexibility and durability.

#### System Compatibility

**Safe and easy priming and valve maintenance.**

Included as a standard accessory is a back pressure/priming valve.

**Quick and economical liquid end maintenance.**

Available for every model is a unique KOPkit®, a convenient, economically priced, package containing important spare parts.



technology  
innovation diversity  
excellence

# PULSAtron Series BT Specifications

Series BT - Three model selections. Digit 1 and 2 (LM) signify product class, digit 3 and 4 signify pressure flow.

## Pressure and Flow Rate Capacity

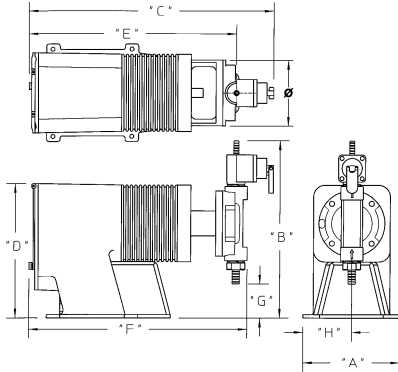
Capacity, nominal	GPD	12	94	500
	GPH	0.50	3.91	20.00
	LPH	1.89	14.82	78.85
Pressure, max PSIG/Bar				
	100/7	LMA3	LMG5	---
	20/1.3			LMH8

## Liquid End Materials

Series	Pump Head	Diaphragm	Check Valves		Fittings	Priming Valve
			Seats/O-Rings	Balls		
BT	316SS	Teflon-faced Hypalon-backed	Viton	Ceramic, Teflon, 316SS, Alloy C	316SS	316SS

**Important:** Teflon, Hypalon and Viton are registered trademarks of E.I. DuPont Company.

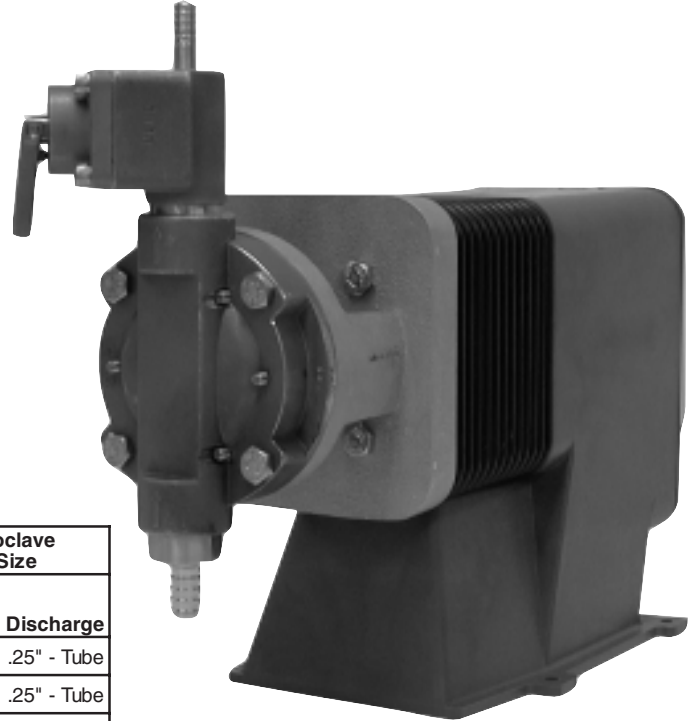
## Dimensions



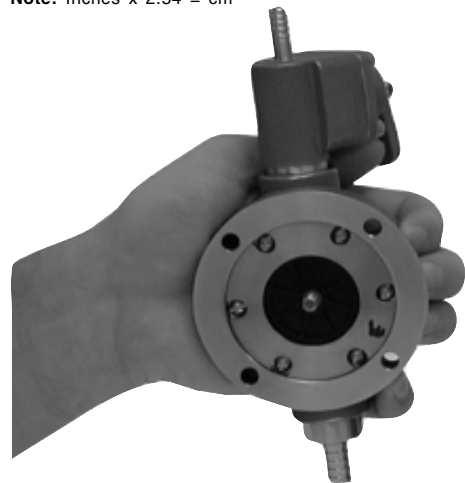
Series BT Dimensions (inches)									
Model No.	A	B	C	D	E	F	G	H	∅
LMA3	5.4	9.4	12.6	7.4	10.5	11.1	2.2	2.7	-
LMG5	5.4	9.8	13.6	7.4	11.5	12.2	1.9	2.7	-
LMH8	6.1	10.8	13.4	8.2	11.4	12.1	1.5	3.1	6.0

Note: Inches x 2.54 = cm

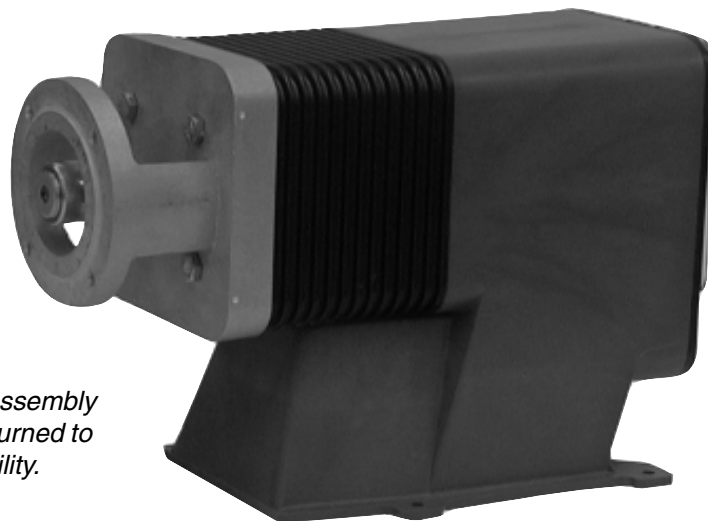
Series BT Autoclave Connection Size		
Model No.	Suction	Discharge
LMA3	.25" - Tube	.25" - Tube
LMG5	.38" - Tube	.25" - Tube
LMH8	.50" - Tube	.50" - Tube



94 GPD Model Shown



Removable head and diaphragm assembly designed to be autoclaved and returned to service without compromising sterility.



An ISO Certified Company



A Unit of IDEX Corporation

### Standard Product Operations

27101 Airport Road • Punta Gorda, Florida 33982  
 TEL (941) 575-3800 • TEL 800-333-6677  
 FAX (941) 575-4085 • FAX 800-456-4085  
 spotech@pulsa.com • www.pulsa.com