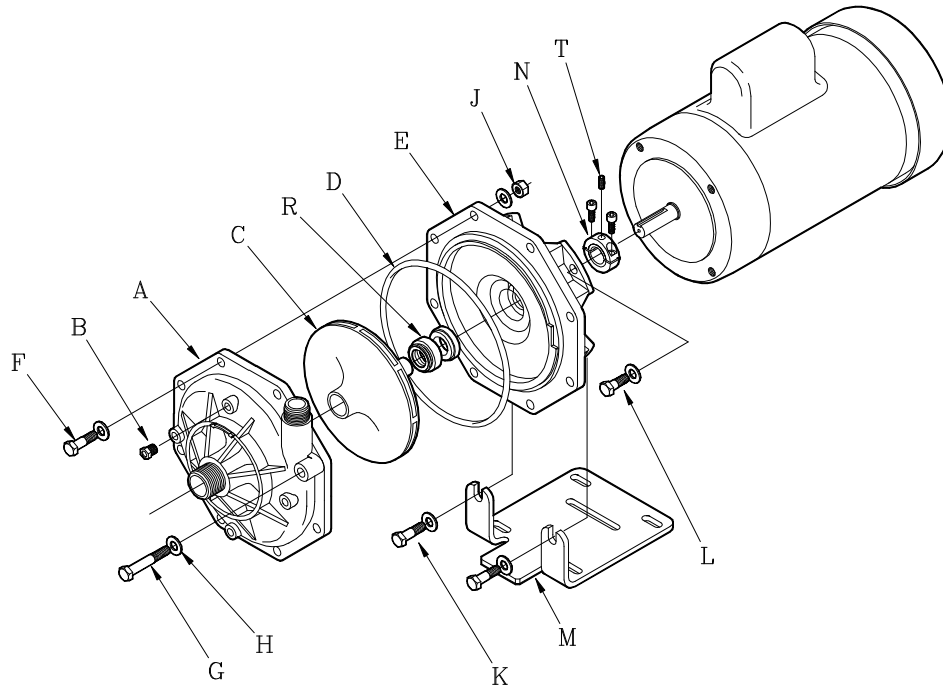




**PRICE PUMP CO.**

**TYPE OH75 PARTS LIST**

Effective: November 17, 1997



CP = CPVC  
PF = PVDF

	<u>CPVC</u>	<u>All Models</u>	<u>PVDF</u>
A. Volute	8010CP		8010PF
B. Pipe Plug (2 rqd)		8012PF	
C. Impeller	8020CP Imp. Dia.		8020PF Imp. Dia.
D. 'O'Ring (choice of P/N)			
Fluorocarbon	8073VN (Std)		8075VN
EPR	8073EP		8075EP
Buna	8073BN		
E. Bracket	8014CP		8014PF
F. Volute Bolts (7 rqd)		3148	
G. Volute Bolts - Long (1 rqd)		3084	
H. Washer (20 rqd)		3081	
J. Nut (8 rqd)		3082	
K. Motor Bolt - Long (2 rqd)		0592	
L. Motor Bolt - Short (2 rqd)		0587	
M. Base		8016	
N. Collar, Split		8018	
R. Seal with Seat			
T.36 Fluorocarbon 1" (std)		8302-211	
T.36 EPR 1"		8302-511	
T. Setscrew		0570	

(OHPart5/Book 97 August 24, 2001)

**Price® Pump Company**

21775 8th Street East ♦ P.O. Box Q ♦ Sonoma, CA 95476-0329 ♦ (707) 938-8441 ♦ Fax (707) 938-0764