

## Price Pump Model - CD

Close Coupled Horizontal and Vertical Centrifugal Pumps  
Flows to 160 GPM / Heads to 100 feet

**Sizes:**

CD100-1" x 1-1/4" x 5"

CD 150-1-1/2" x 2" x 5"

**Materials:**

316 Stainless Steel

Cast Iron

All Bronze

Cast Iron/Bronze Fitted Impeller

**Applications:**

Industry-Chemical process, deionized water, wastewater treatment, hot solvents, and caustics

O.E.M. - Washers, filters, chillers, cooling towers, scrubbers, plating equipment

Agriculture-Acid fertilizers and other agricultural chemicals

**Features:**

Close Coupled design using standard NEMA 56C motors

Optional power frame available

Mechanical seal: JohnCrane 5/8" Type 21 Fluorocarbon standard, Type 9 PTFE and Type 21 Fluorocarbon double seal available

Optional seal face materials and elastomers available

Seal flush and seal quench optional

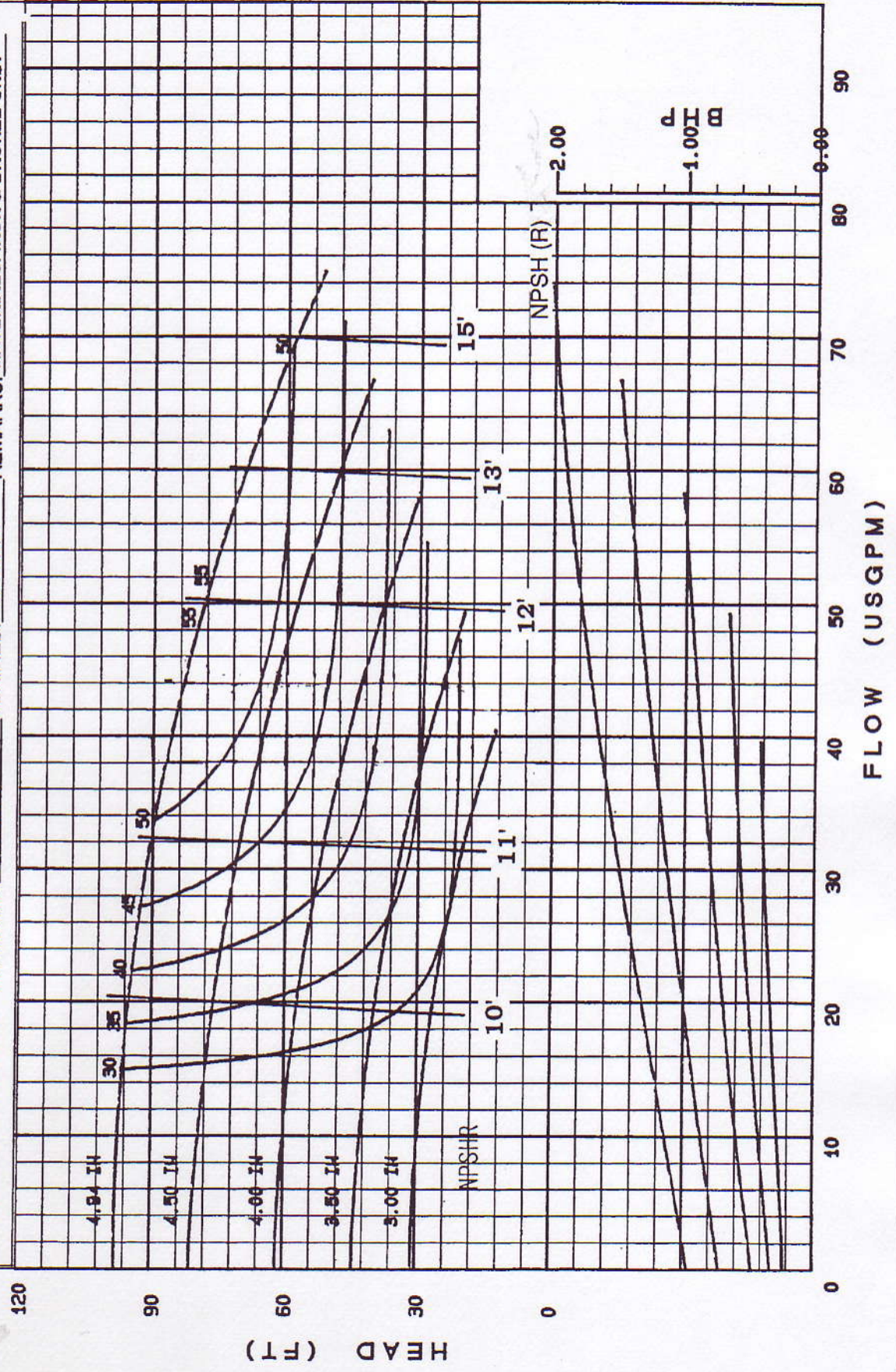
Technical Information:	Category	CD100	CD150
Minimum Recommended Flow		12 GPM	25GPM
Max. Working Pressure		150/75 PSIG	150/75 PSIG
Maximum Solid Size		.15"	.15"
Max. Temperature(CD-SS/CD-AI)		250°F	250°F

Materials of Construction:	Part	AI	BF	AB	SS
	Volute	C.I.	C.I.	Bronze	316SS
	Bracket	C.I.	C.I.	Bronze	316SS
	Impeller	C.I.	Bronze	Bronze	316SS
	Fasteners	Plated Steel	Plated Steel	18-8SS	316SS
	Gasket	Syn. Fiber(cd100)	Syn. Fiber(cd100)	N/A	PTFE(cd100)
	Shaft	316SS	316SS	316SS	316SS

60 Hz

**PRICE PUMP CO.** CURVE NUMBER: **CD001-1** MODEL: **CD100 AI & AB SIZE: 1x1-1/4x5** RPM: **3500**  
SONOMA, CALIFORNIA IMPELLER DIA: **VARIOUS** MIN. IMPELLER DIA: **3.00"** MAX. IMPELLER DIA: **4.94"** MAX. SOLIDS: **.15"**  
CUSTOMER'S P.O.:  
TEST DATE: **3/09/95** VERIFIED: **5/21/01** REMARKS: **IRON & BRONZE ONLY**

Ph. (707) 938-8441 Fax (707) 938-0784



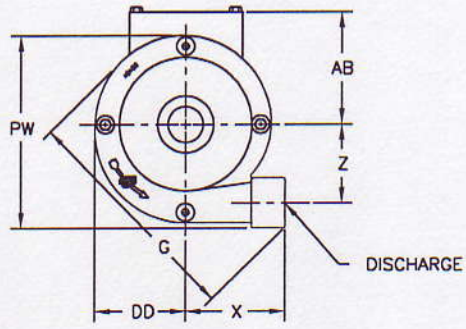
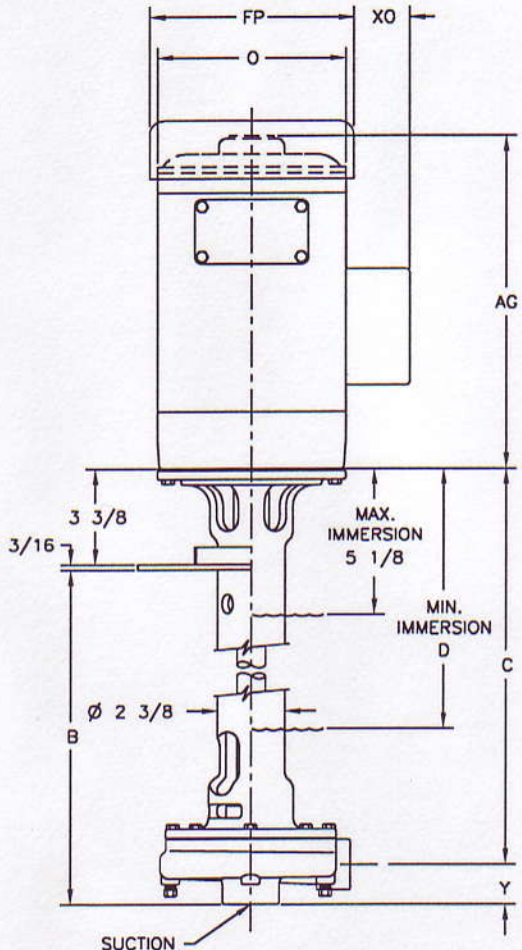


PRICE PUMP CO.

#1 Pump Way P.O. Box Q  
 Sonoma, CA 95476 (707) 938-8441  
 707-FAX 938-0764

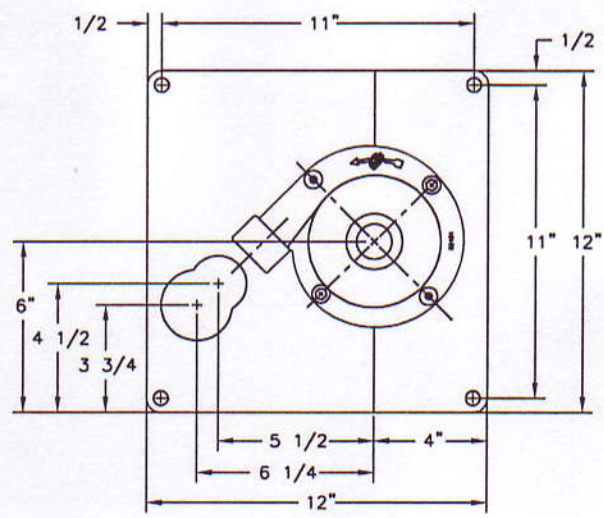
FACTORY FAX TRANSMITTAL DRAWING

REV. D  
 DATE 01/27/94  
 REF. NO. O-CDVCI  
 DESCRIPTION CD100/150 CI VERTICAL 13"/20" MOTOR PUMP ASSEMBLY



HP	RPM	FRM	MOTOR END DIMENSIONS			
			AG	FP	O	XO
1/4	1800	56C	7 3/4	6 1/8	5 3/8	2 1/16
1/3	1800	56C	8 1/4	6 1/8	5 3/8	2 1/16
1/2	1800	56C	8 3/4	6 1/8	5 3/8	2 1/16
1/3	3600	56C	8 1/2	6 1/8	5 3/8	2 1/16
1/2	3600	56C	8 3/4	6 1/8	5 3/8	2 1/16
3/4	3600	56C	9 1/4	6 1/8	5 3/8	2 1/16
1	3600	56C	9 3/4	6 1/8	5 3/8	2 1/16
1 1/2	3600	56C	10 1/2	7 3/16	6 7/8	2 1/4
2	3600	56C	11 1/8	7 3/16	6 7/8	2 1/4
3	3600	56C	12 3/8	7 3/16	6 7/8	2 1/4
5	3600	184C	13 5/8	8 1/2	7 7/8	2 1/4

NOTE:  
 MOTOR DIMENSIONS WILL VARY BY MODEL AND MAKE;  
 DIMENSIONS ARE TO BE USED FOR REFERENCE ONLY.



	COLUMN DIMENSIONS		IMMERSION
	B	C	
CD100-V CI 13"	11 3/4	13 15/16	9 1/8
CD100-V CI 20"	18 3/4	20 15/16	16 1/8
CD150-V CI 13"	12 11/16	14 1/16	9 1/8
CD150-V CI 20"	19 11/16	21 1/16	16 1/8

	PUMP END DIMENSIONS							
	G	DD	PW	X	Y	Z	SUCTION	DISCHG
CD100 CI	8 3/16	3 3/16	6 11/16	3 1/2	1 3/8	2 3/4	1 1/4	1"
CD150 CI	9 7/16	4 1/16	7 15/16	3 13/16	2 1/8	3 1/16	2"	1 1/2

NOTE: ALL DIMENSIONS HAVE BEEN ROUNDED TO THE NEAREST 1/8 INCH.

11/23/93/09/93