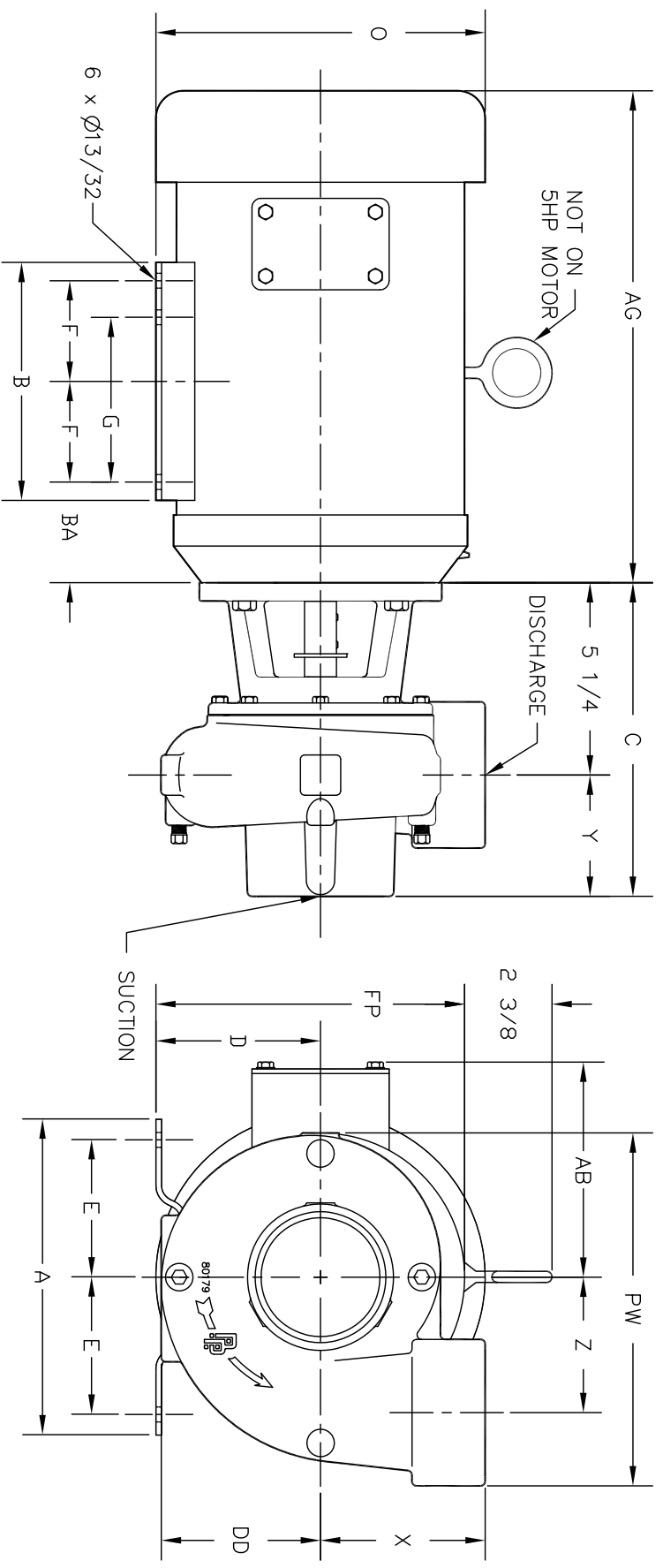


DESCRIPTION
 RC200/300 A1&AB W/ 184C MOTOR

REF. NO.
 O-RC184C

DATE
 11-21-91

REV.
 C



PUMP END DIMENSIONS

	C	Y	PW	Z	X	DD	SUCTION	DISCHARGE
RC200	8 1/8	2 7/8	7 1/8	2 1/2	3 3/4	3 1/2	2" NPT	2" NPT
RC300	8 9/16	3 5/16	9 5/8	3 11/16	4 1/2	4 3/8	3" NPT	3" NPT

184C MOTOR END DIMENSIONS

HP MOTOR	AG	AB	FP	O	D	BA	E	F	G	A	B
5 1655BA	13 1/2	6 7/8	8 1/2	8 5/8	4 1/2	2 7/8	3 3/4	2 3/4	4 1/2	8 5/8	6 1/2
7-1/2 3763BA	15	8	10	10 1/8	5 1/4	2 5/6	4 1/4	3 1/2	5 1/2	9 1/2	8
10 3811BA	14 1/2	8	10	10 1/8	5 1/4	2 5/6	4 1/4	3 1/2	5 1/2	9 1/2	8

NOTE: ALL DIMENSIONS ARE ROUNDED TO THE NEAREST 1/8 INCH.
 FOR ENGINEERING PURPOSES PUMP RC300 HAS BEEN USED TO CREATE DRAWING.

FACTORY FAX TRANSMITTAL DRAWING



21775 Eighth Street East
 Sonoma, CA 95476 (707) 938-8441
 707-FAX 938-0764