



2MS75MDSS  
Shown

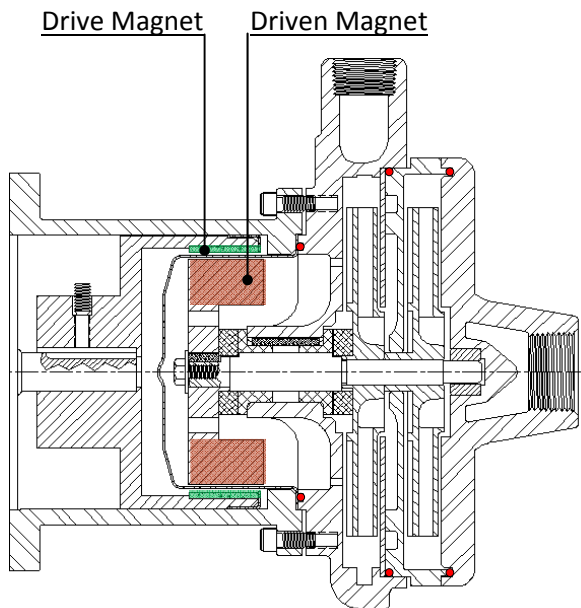
## Features

- Achieves over 300 feet of head
- Leak-proof, magnetic drive
- Eliminates seals to reduce friction wear
- High temperature capacity
- Threaded pump connections

## Applications

- Toxic or Explosive Fluids
- Aggressive Chemicals
- Biodiesel Production
- Water Treatment
- Galvanic Processes, Surface Treatments
- Scrubber Applications
- Pharmaceutical Industry
- Vapor Degreasers

## Cross Section - Magnets



## 2MS75

### Pump Model

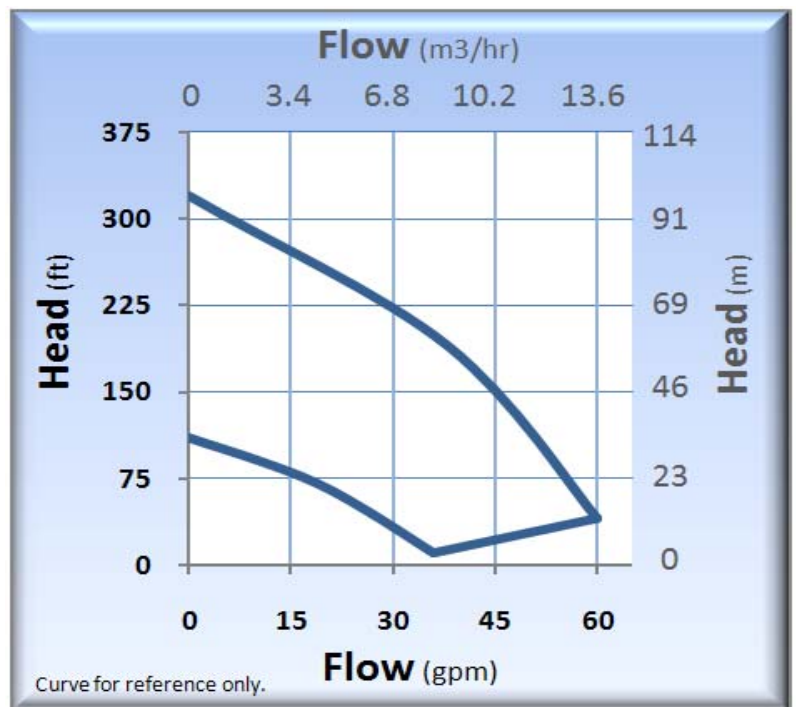
2MS75MDSS – 316 Stainless Steel

## Standard Specifications

- 2MS75MD Discharge 3/4" FNPT, Suction 1" FNPT
- Maximum Impeller Diameter: 5.98"
- Impeller Material: 316SS
- Motor: NEMA C Face
- O-rings: Viton
- Bushings: Carbon Graphite
- Thrust Washers: Ceramic
- Magnets: Samarium Cobalt

*Note: Contact factory for additional options*

## Performance Curve – 60 Hz



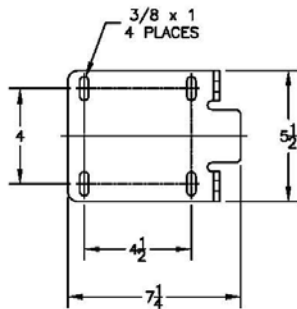
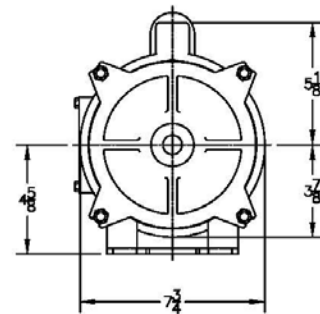
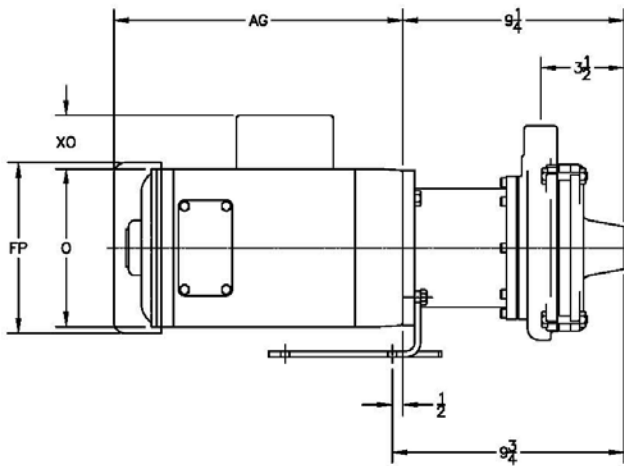
# 2MS75 (MAG DRIVE)

Technical Information	
Max Flow	60 GPM (14 m3/hr)
Max Head	320 feet (98 m)
Min. Flow	2 GPM (0.5 m3/hr)
Max Working Pressure	300 PSI (21 bar)
Max Temp.	350°F (177°C)*

\* Temperature limits will vary depending on O-ring material and type of liquid being pumped.

Materials of Construction	
2MS75MD	SS
Volute	316 Stainless Steel
Impeller	316 Stainless Steel
Bracket	316 Stainless Steel
Fasteners	316 Stainless Steel
O-ring	Viton (STD), Teflon, Buna, EPR, Neoprene, Kalrez, & Fluoro-Silicon
Shaft	316 Stainless Steel (STD), Tungsten Carbide Coated
Bushings	Carbon (STD), Silicon Carbide
Thrust Washers	Ceramic (STD), Silicon Carbide
Magnet Cup	316 Stainless Steel
Magnets	Samarium Cobalt

## Dimensions (2MS75 Mag-Drive)



NOTE: MOTOR DIMENSIONS WILL VARY BY MODEL AND MAKE, DIMENSIONS ARE TO BE USED FOR REFERENCE ONLY.

MOTOR END DIMENSIONS						
HP	RPM	FRM	AG	FP	O	XO
1/4	1800	56C	7 3/4	6 1/8	5 3/8	2 1/16
1/3	1800	56C	8 1/4	6 1/8	5 3/8	2 1/16
1/2	1800	56C	8 3/4	6 1/8	5 3/8	2 1/16
3/4	1800	56C	9 1/4	6 1/4	5 3/8	2 1/16
1	1800	56C	10	6 1/4	5 3/8	2 1/16
2	3600	56C	11 1/8	7 3/16	6 7/8	2 1/4
3	3600	56C	12 3/8	7 3/16	6 7/8	2 1/4

Note: Motors above 3 HP require VFD or soft starter.



NOTE: ALL DIMENSIONS HAVE BEEN ROUNDED TO THE NEAREST 1/8".

Contact factory for special pump configurations, same day, and next day delivery options.

21775 Eighth Street East  
 Sonoma, CA 95476-0329  
 MAIN (707) 938-8441  
 TOLL FREE (800) 345-7867  
 FAX (707) 938-0764  
 E-mail: [sales@pricepump.com](mailto:sales@pricepump.com)  
 Website: [www.pricepump.com](http://www.pricepump.com)



Rev. Date: May 2012