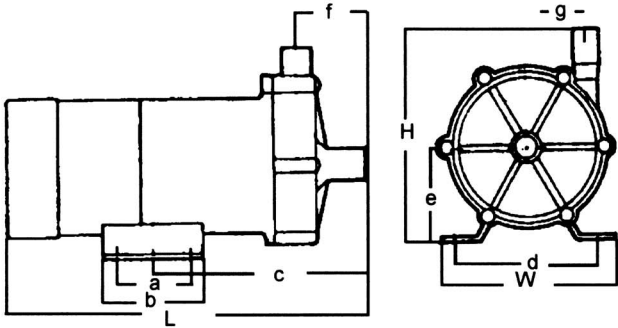


**DIMENSIONS IN INCHES**

SERIES X40, X50, X100 (hose)

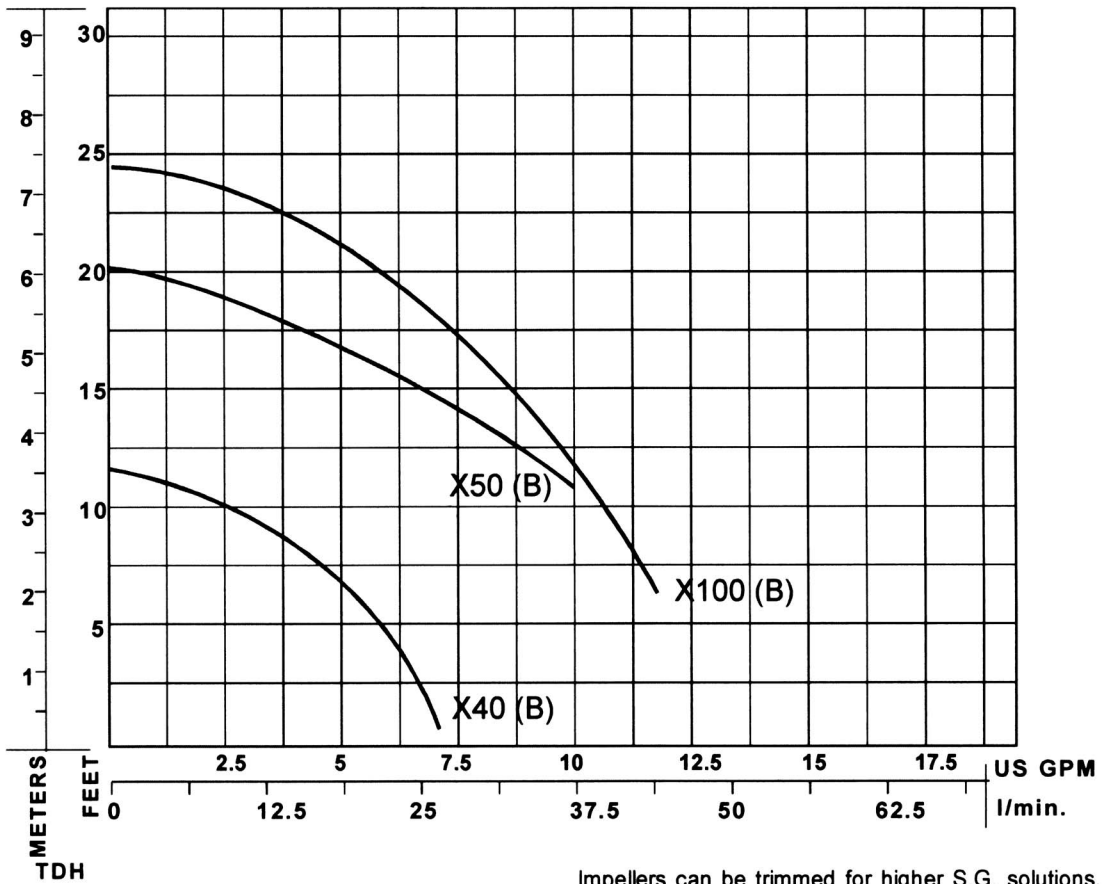


SERIES	W	H	L	a	b	c	d	e	f	g
X40	3.73	4.53	8.08	1.19	1.97	5.18	2.68	2.17	1.30	1.12
X50	4.72	5.12	9.12	1.58	2.52	6.65	3.94	2.36	1.89	1.22
X100	4.36	5.12	10.31	1.58	2.52	6.65	3.94	2.36	1.89	1.22

**PERFORMANCE SERIES X40, X50, X100**

3450 RPM

S.G = 1.3



Impellers can be trimmed for higher S.G. solutions.  
Specifications subject to change without notice.