



OBERDORFER

“N” SERIES CONVERSION INFORMATION

PEDESTAL BRONZE GEAR PUMPS

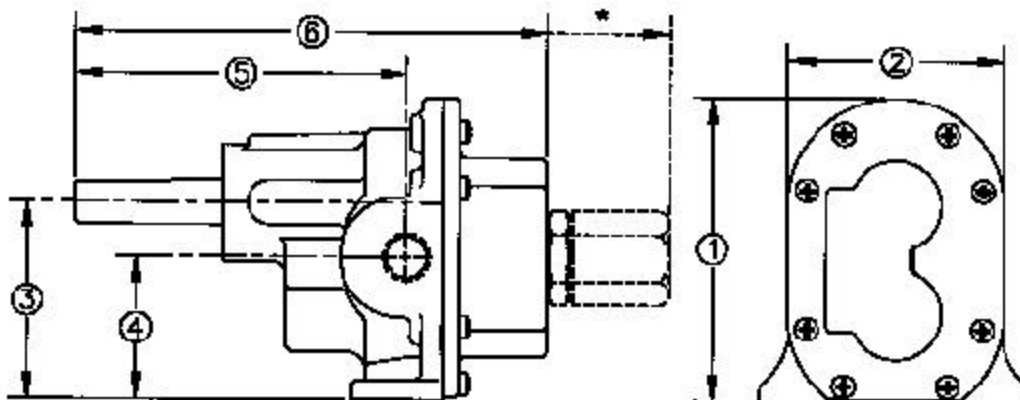
Oberdorfer Pumps has been working on improving its Bronze Rotary Gear Pumps with several important features. Some of the changes have affected the overall physical dimensions of these pumps. The letter designation "N" indicates the new version (e.g., N1000). **The chart on this page reflects the dimensional changes for our bronze pedestal gear pumps.**

These dimensional changes are the result of a design upgrade package which includes replac-

ing the flat paper gasket with a FKM (fluorocarbon rubber) o-ring. The body has been machined to provide a groove for the FKM o-ring. FKM has superior elasticity and will not readily take a compressive set (like Buna-N) thereby assuring a better seal. Also, the old spur gears have been replaced with new helical gears which significantly reduce noise.

These design changes will enhance the performance of our gear pumps and further strengthen the long recognized quality of Oberdorfer Pumps.

New Pump	Old Pump	Overall Height (1)	Width Across Ports (2)	Shaft Centerline Height (3)	Port Centerline Height (4)	Port Location from Shaft End (5)	Overall Length (6)	OAL With Relief (6)*
N1000	1000	From 2.85" to 3.02"	From 1.94" to 2.25"	Stays 1.88"	Stays 1.41"	Stays 4.00"	From 5.69" to 6.16"	From 7.36" to 7.27"
N2000	2000	From 3.55" to 3.69"	From 2.38" to 2.66"	Stays 2.36"	Stays 1.71"	Stays 3.97"	Stays 5.69"	Stays 7.2"
N3000	3000	From 4.01" to 4.23"	From 2.76" to 2.94"	From 2.63" to 2.73"	From 1.88" to 1.98"	Stays 4.60"	Stays 6.57"	From 8.33" to 8.38"
N4000	4000		From 2.76" to 3.00"			Stays 4.75"	Stays 6.88"	From 8.64" to 8.69"
N7000	7000	Stays 5.25"	From 3.75" to 3.78"	Stays 3.56"	Stays 2.56"	Stays 4.88"	Stays 7.07"	Stays 9.08"
N9000	9000		From 3.75" to 3.82"			Stays 5.00"	Stays 7.32"	Stays 9.33"
N11HD	11HD	From 6.5" to 6.6"	Stays 4.63"	Stays 4.38"	Stays 3.25"	Stays 9.88"	Stays 13"	No Relief
N13HD	13HD					Stays 10.75"		Stays 14"
N26HD	26HD	Stays 6.5"	Stays 6.0"			Stays 14.05"	Stays 20.66"	No Relief

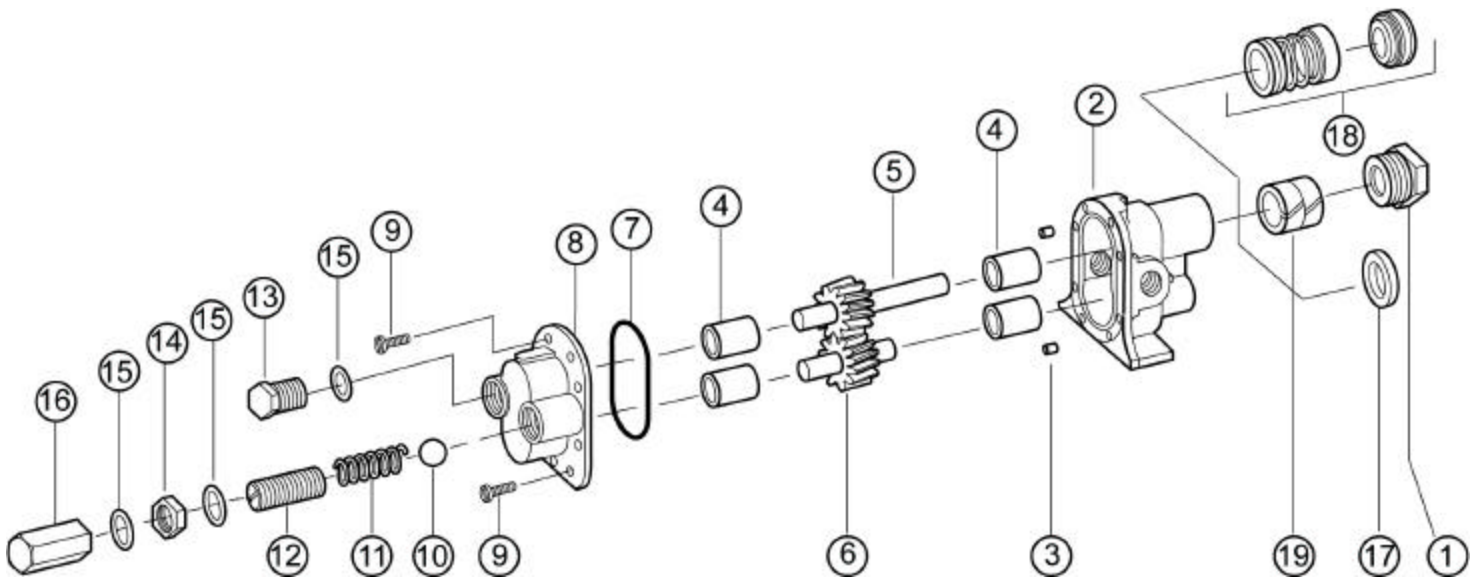


OBERDORFER

"N" SERIES CONVERSION INFORMATION



PEDESTAL BRONZE GEAR PUMPS



No.	Description	Qty.
1	Packnut	1
2	Body	1
3	Dowel Pin	2
4	Bearing	4
5	Drive Gear Assy.	1
6	Idle Gear Assy.	1
7	O-ring, FKM	1

No.	Description	Qty.
8	Cover	1
	Cover, Relief Valve*	1
9	Screw	7 or 8
10	Ball	1
11	Spring	1
12	Adjusting Screw	1
13	Plug Nut	1

No.	Description	Qty.
14	Locknut	1
15	Fiber Washer	3
16	Valve Nut	1
17	Lip Seal	1
18	Mech. Seal	1
19	Packing Ring	2

*Numbers 10-16 for Relief Valve only.