



OBERDORFER PUMPS

A Gardner Denver Product

Carbonator Motor Mounted Bronze Rotary Gear Pumps

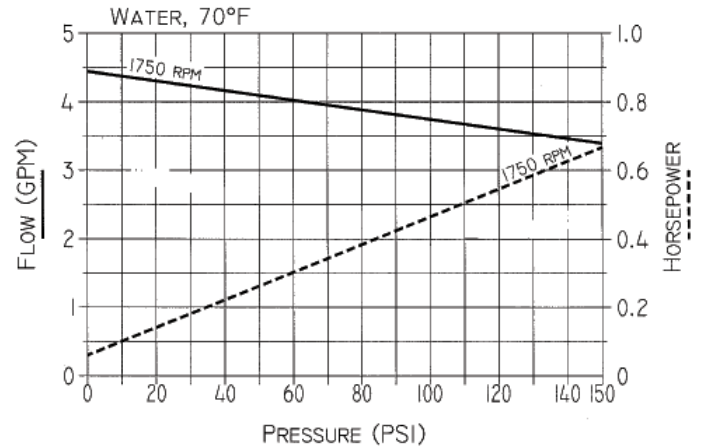
Model N9206

3/8" NPT Ports Standard (1/2" Ports Optional)



**N9206GRC with internal
recirculation relief valve**

PERFORMANCE:



FEATURES:

- Rugged corrosion resistant bronze construction
- Compact close-coupled carbonator motor mount design
- Stainless steel shafts
- Durable bronze helical gears provide quiet operation
- Process lubricated carbon graphite bearings
- O-ring cover seal for maximum leak protection
- Buna N Mechanical Seal (Viton® optional)
- Bronze TEE Coupler

GENERAL DESCRIPTION:

The carbonator motor mounting uses a circular clamp, similar to a hose clamp, as means of attaching the pump to a specially machined hub on the motor. This concept was first developed for the vending machine industry to pump carbonated beverages in soft drink dispensers. The main advantages are compactness and economy due to the elimination of the adapter casting. Carbonator motors are readily available from electric motor distributors.

The rotary gear pump features an all bronze design and 303 stainless steel shafts with options of non-metallic gears and a variety of shaft seals. The built-in relief valve is available in multiple options; internal recirculation to suction side or external connection for return line to supply tank.

LIQUIDS AND TEMPERATURE:

Bronze pumps are suitable for water, oil, and mild chemicals in the pH-range from 4-10. Viscous liquids may be handled with carbonator pumps up to a viscosity of 300 SSU. Higher viscosities require a pump speed lower than 1725 RPM, which is currently not available in carbonator motors.

Liquids containing abrasives, solids, powders or pigments are highly detrimental to pump life and must be avoided. The recommended liquid temperature range is from 32oF to 140oF. If more extreme temperature conditions exist, factory should be consulted. Allowing the liquid to freeze in the pump can cause damage.

SUCTION LIFT:

For a first start-up, the pump should be primed to avoid dry running. Gear pumps are self-priming, but a foot valve with strainer is recommended at the beginning of the suction line. This will keep the gear chamber primed to insure instant flow when the pump is started. Maximum suction lift is 20 feet. The suction line should be as short as possible.

ROTATION AND RELIEF VALVE:

The relief valve is not intended to be a metering or flow control device. Its main purpose is to function as a discharge pressure relief when the spring tension is exceeded by the discharge pressure. Overheating can occur within 5-10 minutes if the discharge line is completely shut off for extended periods.

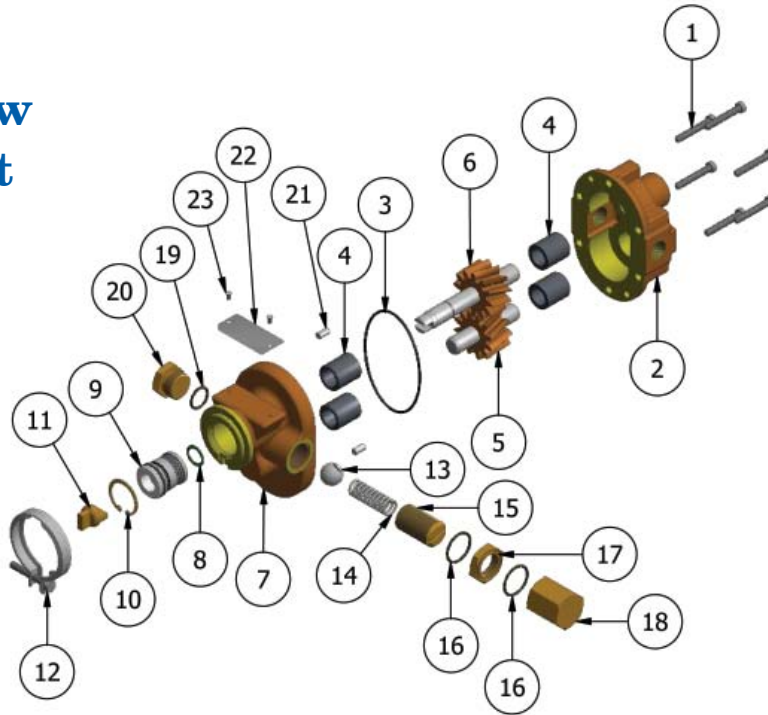
Unless otherwise specified, the pump motor unit is supplied by the factory for shaft rotation clockwise from shaft end. Reversing the motor rotation will reverse the "in" and "out" ports and also requires changing the relief valve location. The relief valve is always on the inlet side in this pump series. The factory pressure setting is 50 PSIG. To increase pressure, turn the relief valve adjusting screw in a clockwise direction.

To reverse single phase motors, find instructions on the inside of the junction box cover or on the name plate of the motor.

Carbonator Motor Mounted Bronze Rotary Gear Pumps

Model N9206

Exploded View and Parts List

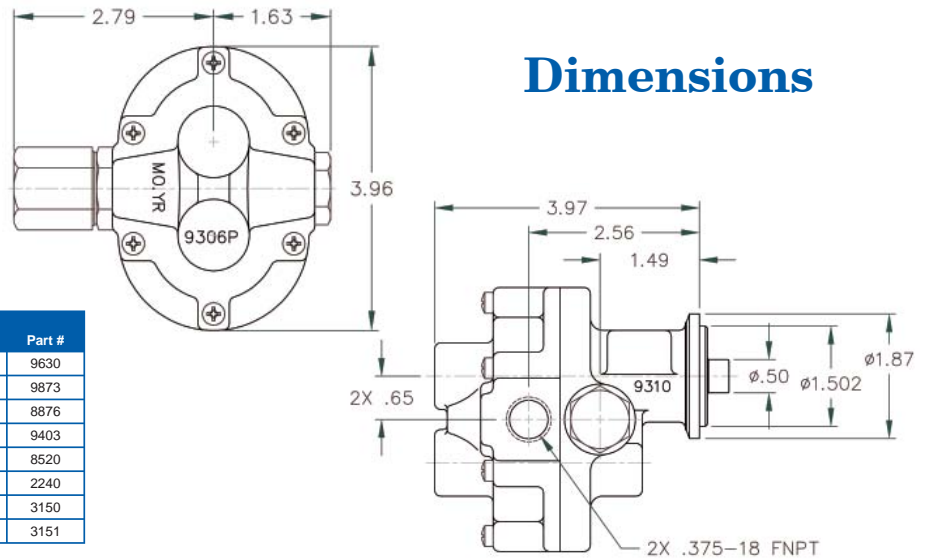


	1	2	3	4	5	6	7	8	9	10	11	12	13	14	15	16	17	18	19	20	21	
	Screw	Body	O-ring	Bearing	Idle Gear Assy	Drive Gear Assy	Cover	Snap Ring	Seal	Snap Ring	Coupler	Clamp	Ball	Spring	Adjust. Screw	O-ring	Lock Nut	Valve Nut	O-ring	Plug Nut	Dowel Pin	
Model	Qty. 6	Qty. 1	Qty. 1	Qty. 4	Qty. 1	Qty. 1	Qty. 1	Qty. 1	Qty. 1	Qty. 1	Qty. 1	Qty. 1	Qty. 1	Qty. 1	Qty. 1	Qty. 2	Qty. 1	Qty. 1	Qty. 1	Qty. 1	Qty. 2	
N9206GOC	7733	9306NC5N-C	9797-038	5024	32993	33271	9310PN4N-C	5373	32584	7639	2353	8840	---	---	---	---	---	---	---	---	---	8885
N9206GRC	7733	9306NC5N-C	9797-038	5024	32993	33271	9310PN4B-C	5373	32584	7639	2353	8840	5238	1840	5237	9797-019	5240	5239	9797-015	1838	8885	8885
N9206GLC	7733	9306NC5N-C	9797-038	5024	32993	33271	9310PN4B-C	5373	32584	7639	2353	8840	5238	1840	5237	9797-019	5240	5239	9797-015	1838	8885	8885
N9205									32585													
N92K		9307NDZN-C																				

Model	Ports	Seal	Integrated Relief Valve	
			Valve Position*	Rotation *
N9206GOC	3/8	Buna	none	
N9206GRC	3/8	Buna	Right	CCW
N9206GLC	3/8	Buna	Left	CW
N9205	3/8	Viton		
N9208	3/8	EPDM		
N92K	1/2			

* Facing pump shaft

Code	HP	Voltage	Frequency	Speed (RPM)	Thermal Overload	Part #
C33	1/4	115/230	60/50 HZ	1725 /1425	Auto	9630
C34	1/4	115	60 HZ	1725	Auto	9873
F02	1/3	115/230	60/50 HZ	1725 /1425	Auto	8876
F06	1/3	115	60 HZ	1725	Auto	9403
F12	1/3	230	60/50 HZ	1725 /1425	Auto	8520
J01	1/2	115	60 HZ	1725	Manual Reset	2240
J39	1/2	115	60 HZ	1725	Auto	3150
M40	3/4	115/230	60 HZ	1725	Auto	3151



Dimensions



OBARDORFER PUMPS

A Gardner Denver Product

5900 Firestone Drive, Syracuse, NY 13206

Phone: (800) 448-1668; (315) 437-0361 • Fax: (315) 463-9561

Visit www.oberdorfer-pumps.com to find in-depth descriptions of the world's leading high-quality, dependable pumps.

Due to ongoing product improvements, data shown here is subject to change without notice. Contact Oberdorfer Pumps for latest specifications.