



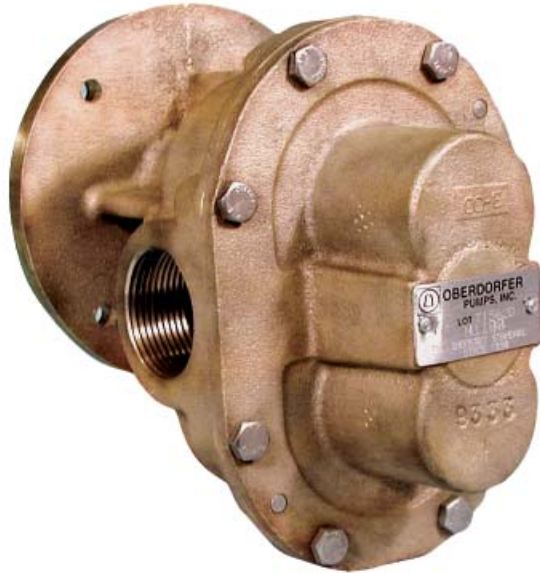
# OBERDORFER PUMPS

A Gardner Denver Product

## Bronze Close Coupled Rotary Gear Pumps

Model N1100

### 1 1/4" NPT Ports Standard



Refer to Model No. N11HDL for pedestal model and performance at different speeds.

Pump No.	Description
N1100	Pump Only
N1100W	Pump, bracket and hardware for mounting to 56C frame motor
N1100X	Pump, bracket and hardware for mounting to the following motor frames: 143TC, 145TC, 182C, 184C
N1100Y	Pump, bracket and hardware for mounting to the following motor frames: 182TC, 184TC, 213C, 215C
N1100Z	Pump, bracket and hardware for mounting to the following motor frames: 213TC, 215TC

PSI	GMP	HP Req.	HP Motor	HP Frame	Pump & Motor No.			
					Single Ph.	Three Ph.		
0	40	0.8	1	145TC	N1100XN46	N1100XN96		
10	39	0.9			1 1/2	145TC	N1100XT46	N1100XT96
20	38	1.1					2	184TC
30	37	1.4	3	213TC				
40	36	1.7			5	213TC		
50	35	2						
60	34	2.3						
70	33	2.6	5	213TC	----	N1100ZX96		
80	32	2.8						
90	31	3.2						
100	30	3.5	5	213TC	----	N1100ZX96		
125	28	4.3						
150	25	5						

Note: Motors listed have ODP enclosures and the following electrical requirements:  
Single Phase: 115/230V, 60HZ  
Three Phase: 230/460V, 60HZ

#### FEATURES:

- Bronze Construction with Stainless Steel Shafts
- Positive Spring Loaded Lip Seal made from Viton®\*
- Available with Motor Adapter and Hardware
- Easy Field Assembly to Motors
- Self-Lubricating Carbon Bearings
- Consult Factory for Special Motors

#### LIQUIDS AND TEMPERATURE:

Service life will be increased substantially if liquid pumped is clean and has lubricity value. These pumps have extremely close tolerance. Fine abrasives like sand, silt, or powders in suspension will destroy pumping ability.

Liquids compatible with bronze, stainless steel, and a Viton(R)\* lip seal can be pumped. Check a chemical compatibility chart or Oberdorfer factory. Buna Lip Seal (S3) available.

Temperature extremes are detrimental to service life and should be avoided. Temperature range for this pump is from -20°F to 300° F. Freezing liquid in the pump can deform or damage the pump.

#### DRIVE:

The pump is driven directly from the electric motor shaft by means of a flexible coupling. An aluminum adapter connects the pump to the motor.

#### SUCTION LIFT:

A rotary gear pump is capable of lifting water on the suction side as high as 20 feet. Though gear pumps are self-priming, a foot valve is recommended. If possible, wet gears with the liquid to be pumped for the first dry start. Liquid retained in the system and gear chambers serves to wet the pump on subsequent starts.

#### ROTATION:

The pump or pump/motor unit is supplied by the factory for shaft rotation in either direction. Reversing the motor rotation will reverse the “in” and “out” ports.

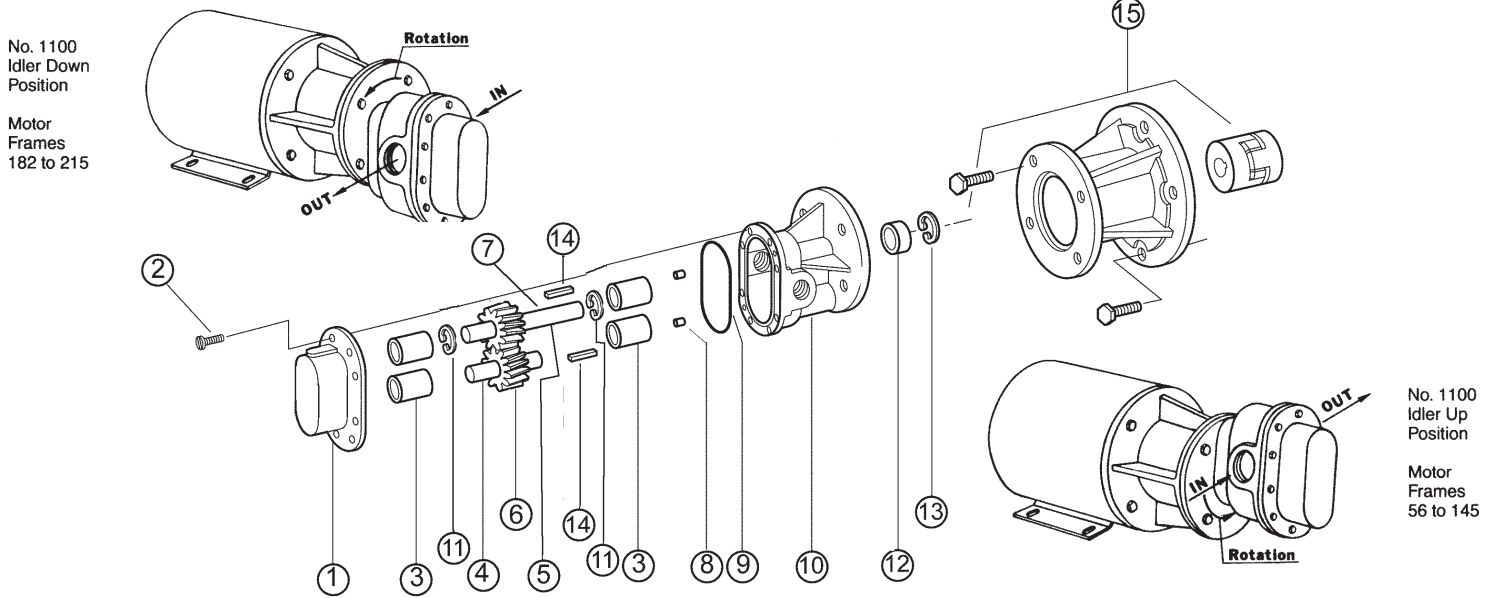
To reverse single phase motors, find instructions on the inside of junction box cover or on name plate of motor.

Three phase motors are not wired for any particular rotation. They can be reversed by interchanging any 2 wires of the 3 wire leads.

# Bronze Close Coupled Rotary Gear Pumps

## Model N1100

### Exploded View and Parts List



	1	2	3	4	5	6	7	8	9	10	11	12	13	14	15
	Cover	Cover Screws	Bearing	Idle Shaft	Drive Shaft	Idle Gear	Drive Gear	Dowel Pins	O-Ring	Body	Ret. Ring	Lip Seal	Ret. Ring	Key	Adapter Kit
Model	Qty. 1	Qty. 8	Qty. 4	Qty. 1	Qty. 1	Qty. 1	Qty. 1	Qty. 2	Qty. 1	Qty. 1	Qty. 4	Qty. 1	Qty. 1	Qty. 2	Qty. 1
N1100	9333NN5N	5393	5108	7652	8720	9834	9833	8597	9797-158	9330NG3N	7651	7262	7345	6518	See Below
N1100S3	9333NN5N	5393	5108	7652	8720	9834	9833	8597	9797-158	9330NG3N-0	7651	6500	7345	6518	

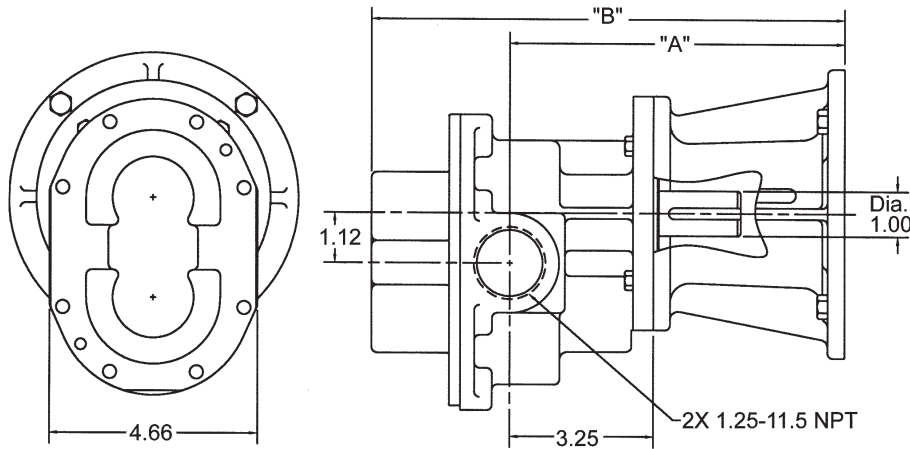
\* Repair Kit #11581 contains items 3, 4, 5, 6, 7, 9, 11, 12, 13, 14

### Example

N1100	Y	W96
Basic Pump	Mounting Adapter Kit (fits 184TC Motor Frame)	2HP 3 Phase Motor Code

Kit Code	Kit No.	Will Fit NEMA Motor Frames	Motor Flange Dia. Ref.	Motor Shaft Dia. Ref.	"A"	"B"
W	11617	56C	4.5	5/8	7.56	10.68
X	11608	143TC, 145TC, 182C, 184C	4.5	7/8	7.56	10.68
Y	11609	182TC, 184TC, 213C, 215C	8.5	1 1/8	8.38	11.50
Z	11610	213TC, 215TC	8.5	1 3/8	8.38	11.50

### Dimensions



### Motor Data

Horse Power	Motor Code	Single Phase Part No.	Three Phase Part No.	NEMA Frame Size
1	N46	8478	----	145TC
	N96	----	8480	145TC
1 1/2	T46	8549	----	145TC
	T96	----	8486	145TC
2	W46	8548	----	184TC
	W96	----	8490	184TC
3	Y46	5846	----	213TC
	Y96	----	8547	213TC
5	----	----	----	----
	X96	----	8689	213TC



# OBARDORFER PUMPS

*A Gardner Denver Product*

5900 Firestone Drive, Syracuse, NY 13206

Phone: (800) 448-1668; (315) 437-0361 • Fax: (315) 463-9561

Visit [www.oberdorfer-pumps.com](http://www.oberdorfer-pumps.com) to find in-depth descriptions of the world's leading high-quality, dependable pumps.

Due to ongoing product improvements, data shown here is subject to change without notice. Contact Oberdorfer Pumps for latest specifications.

N1100.031412