

**METRIC
VERSION**



OBERDORFER PUMPS

A Gardner Denver Product

CHEMSTEEL® OVERVIEW



**MAG-DRIVE CLOSE COUPLED
SM200 SERIES**



**MAG-DRIVE
CLOSE COUPLED
SM400 SERIES**



**MAG-DRIVE CLOSE COUPLED
SM900 SERIES**



**MAG-DRIVE CLOSE COUPLED
RM100 SERIES**



**METALLIC
R100 SERIES**



**METALLIC
S200 SERIES
CUTAWAY**



**METALLIC
S900
SERIES**

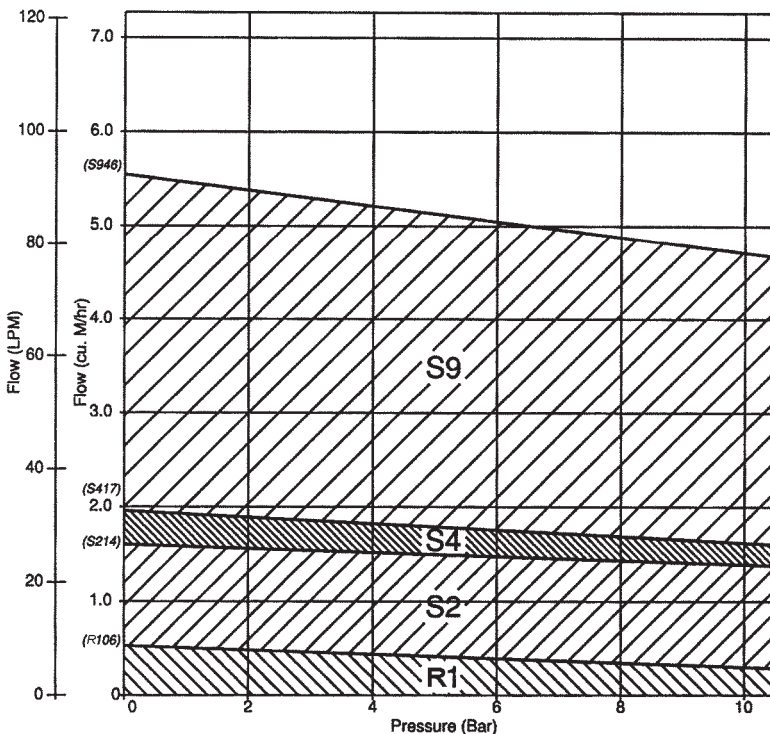


**NON-METALLIC
RYTON S900**



**NON-METALLIC
RYTON S200**

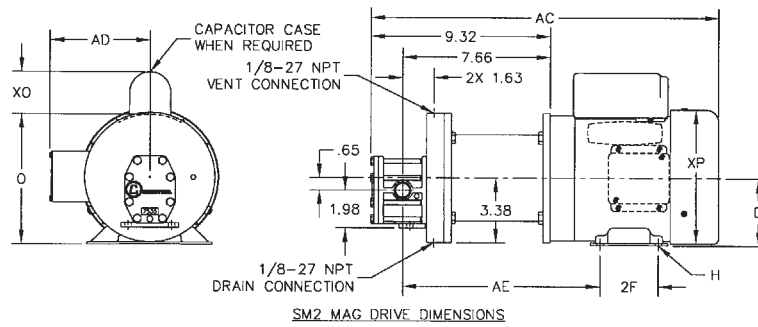
Chemsteel Hydraulic Range @ 1425 RPM



CHEMSTEEL FEATURES

- Flows from 1.7 to 90 LPM at 1425 RPM
- Pressure from 0 to 10.3 BAR
- Gear & bearing combinations of metallic and nonmetallic wear surfaces.
- Slotted bearings to lubricate shaft and gear surfaces.
- Hydraulic porting to balance axial thrust and to reduce wear.
- Ample port sizing to reduce the likelihood of cavitation when inlet pressure is marginal.
- Effective housing seals with elastic memory prevent leakage of corrosives.
- Recirculation heat port versatility.
- Containment can flush and drain connections.
- 316 Stainless Steel
- Alloy C
- Non-Metallic - Ryton
- Packing - Lip - Mechanical - Seal-less
- IEC Close Coupled Adapters
- Accessories

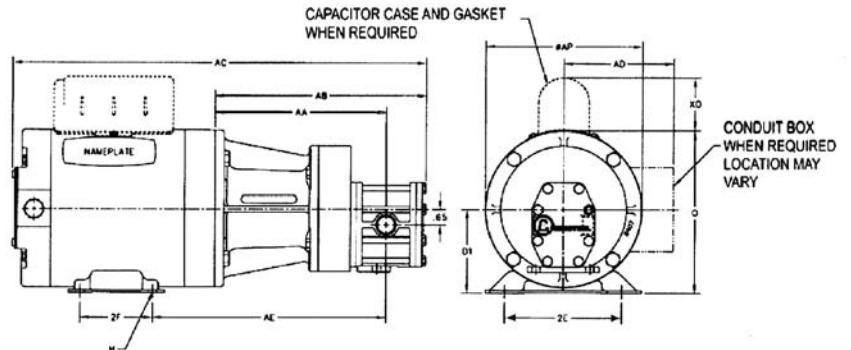
EXAMPLE OF SEAL-LESS MAGNETIC DRIVE SM207 PUMP DIMENSIONS



| Mag Chemsteel Option Suffix | Power Kit Part No. | Motor Frame | | AC* | D | 2F | H | AE | AD | *O | *XO | *XP |
|-----------------------------|--------------------|-------------------------|-------------|-------|------|-----------|----------|-------|-----------|-----------|------|-------|
| M1 | MC2H56 | 56C | INCHES | 18.07 | 3.50 | 3 | .34 SLOT | 10.22 | 5.31 | 6.81 | 2.25 | 7.16 |
| | | | MILLIMETERS | 459 | 88.9 | 76.2 | 8.6 SLOT | 259.6 | 134.9 | 173 | 57.2 | 181.9 |
| M2 | MC2J45T | 143TC/145TC | INCHES | 21.45 | 3.5 | 4.00/5.00 | 0.34 | 10.54 | 13.9 | 6.81 | 2.25 | 7.16 |
| | | | MILLIMETERS | 544.8 | 88.9 | 101.6/127 | 8.6 | 267.7 | 134.9 | 173 | 57.2 | 181.9 |
| M3 | MC2F71E | IEC 71C, B14 FACE | INCHES | 17.59 | 2.8 | 3.54 | .28 SLOT | 8.84 | 4.00 | 5.14 | N/A | 4.13 |
| | | | MILLIMETERS | 446.8 | 71 | 89.9 | 7.1 SLOT | 224.5 | 101.6 | 130.6 | N/A | 104.9 |
| M4 | MC2T80E | IEC 80C, B14 FACE | INCHES | 19.24 | 3.15 | 3.94 | .39 SLOT | 10.02 | 4.51 | 6 | N/A | 4.72 |
| | | | MILLIMETERS | 488.7 | 80 | 100.1 | 9.9 SLOT | 254.5 | 114.6 | 152.4 | N/A | 119.9 |
| M5 | MC2U90E | IEC 90SC/90LC, B14 FACE | INCHES | 20.34 | 3.54 | 3.94/4.92 | .39 SLOT | 10.26 | 5.12/4.25 | 6.81/6.53 | N/A | 5.51 |
| | | | MILLIMETERS | 516.6 | 90 | 100.1/125 | 9.9 SLOT | 260.6 | 130/108 | 173/165.9 | N/A | 140 |

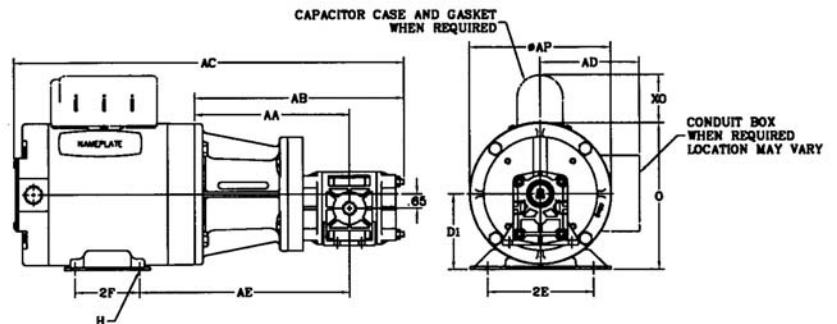
* Dimensions AC, O XO and XP may vary depending on HP, Enclosure, Speed and Manufacturer

EXAMPLE OF S207 METALLIC CLOSE-COUPLED PUMP DIMENSIONS



| mounted adapter code | kit part no. | motor frame | | D1 | 2E | 2F | H | O ^[1] | AP ^[1] | XO ^[1] | AA | AB | AC ^[1] | AD | AE | |
|----------------------|--------------|------------------|-------------|-------------|-------------|-------|-----------|------------------|-------------------|-------------------|-------|-------|-------------------|-------|-------|-------|
| C1 | M2AD56 | 56C | INCHES | 3.50 | 4.88 | 3.00 | ø.34 SLOT | 6.88 | 6.63 | 2.25 | 7.15 | 8.80 | 17.18 | - | 9.71 | |
| | | | MILLIMETERS | 88.9 | 124 | 76.2 | ø8.6 SLOT | 174.8 | 168.4 | 57.2 | 181.6 | 223.5 | 436.4 | - | 246.6 | |
| C2 | M2AD45T | 143TC | 145TC | INCHES | 3.50 | 5.50 | 4.00 | ø.34 SLOT | 6.88 | 6.63 | 2.25 | 7.15 | 8.80 | 19.98 | - | 9.53 |
| | | | 182C | 184C | MILLIMETERS | 88.9 | 139.7 | 102 | ø8.6 | 174.8 | 168.4 | 57.2 | - | - | - | 242.1 |
| | | 182C | 184C | INCHES | 4.50 | 7.50 | 4.50 | ø.41 SLOT | 8.69 | 7.88 | 2.38 | - | - | - | - | 10.03 |
| | | | | MILLIMETERS | 114.3 | 190.5 | 114.3 | ø10.41 SLOT | 220.7 | 200 | 60.3 | - | - | - | - | 254.8 |
| C3 | M2AD71E | IEC 71, B14 FACE | INCHES | 2.80 | 4.41 | 3.54 | ø.28 SLOT | 5.14 | 4.69 | - | 6.65 | 8.30 | 17.61 | 4.00 | 8.42 | |
| | | | MILLIMETERS | 71 | 112 | 89.9 | ø7 SLOT | 130.6 | 119.1 | - | 168.9 | 210.8 | 447.3 | 102 | 213.9 | |
| C4 | M2AD80E | IEC 80, B14 FACE | INCHES | 3.15 | 4.92 | 3.94 | ø.39 SLOT | 6.00 | 5.69 | - | 6.65 | 8.30 | 17.84 | 4.51 | 8.62 | |
| | | | MILLIMETERS | 80 | 125 | 100.1 | ø10 SLOT | 152.4 | 144.5 | - | 168.9 | 210.8 | 453.1 | 116 | 218.9 | |

EXAMPLE OF S207 NON-METALLIC CLOSE-COUPLED PUMP DIMENSIONS



| mounted adapter code | kit part no. | motor frame | | D1 | 2E | 2F | H | O ^[1] | AP ^[1] | XO ^[1] | AA | AB | AC ^[1] | AD | AE | | |
|----------------------|--------------|------------------|-------------|-------------|-------------|-------|-------------|------------------|-------------------|-------------------|-------|-------|-------------------|-------------|-------------|------|-------|
| C1 | M2AD56R | 56C | INCHES | 3.50 | 4.88 | 3.00 | ø.34 SLOT | 6.88 | 6.63 | 2.25 | 7.14 | 9.66 | 18.04 | - | 9.71 | | |
| | | | MILLIMETERS | 88.9 | 124 | 76.2 | ø8.6 SLOT | 174.8 | 168.4 | 57.2 | 181.4 | 245.4 | 458.1 | - | 246.6 | | |
| C2 | M2AD45TR | 143TC | 145TC | INCHES | 3.50 | 5.50 | 4.00/5.00 | ø.34 SLOT | 6.88 | 6.63 | 2.25 | 7.14 | 9.66 | 19.23/20.73 | - | 9.53 | |
| | | | 182C | 184C | MILLIMETERS | 88.9 | 139.7 | 102/127 | ø8.6 | 174.8 | 168.4 | 57.2 | - | - | 488.4/526.5 | - | 242.1 |
| | | 182C | 184C | INCHES | 4.50 | 7.50 | 4.50/5.50 | ø.41 SLOT | 8.69 | 7.88 | 2.38 | - | - | - | 21.96/21.17 | - | 10.03 |
| | | | | MILLIMETERS | 114.3 | 190.5 | 114.3/139.7 | ø10.41 SLOT | 220.7 | 200 | 60.3 | - | - | - | 557.5/537.7 | - | 254.8 |
| C3 | M2AD71RE | IEC 71, B14 FACE | INCHES | 2.80 | 4.41 | 3.54 | ø.28 SLOT | 5.14 | 4.69 | - | 6.64 | 9.16 | 18.47 | 4.00 | 8.42 | | |
| | | | MILLIMETERS | 71 | 112 | 89.9 | ø7 SLOT | 130.6 | 119.1 | - | 168.7 | 232.7 | 469 | 102 | 213.9 | | |
| C4 | M2AD80RE | IEC 80, B14 FACE | INCHES | 3.15 | 4.92 | 3.94 | ø.39 SLOT | 6.00 | 5.69 | - | 6.64 | 9.16 | 18.70 | 4.51 | 8.62 | | |
| | | | MILLIMETERS | 80 | 125 | 100.1 | ø10 SLOT | 152.4 | 144.5 | - | 168.7 | 232.7 | 474.9 | 116 | 218.9 | | |