

CUBIC METERS PER HOUR

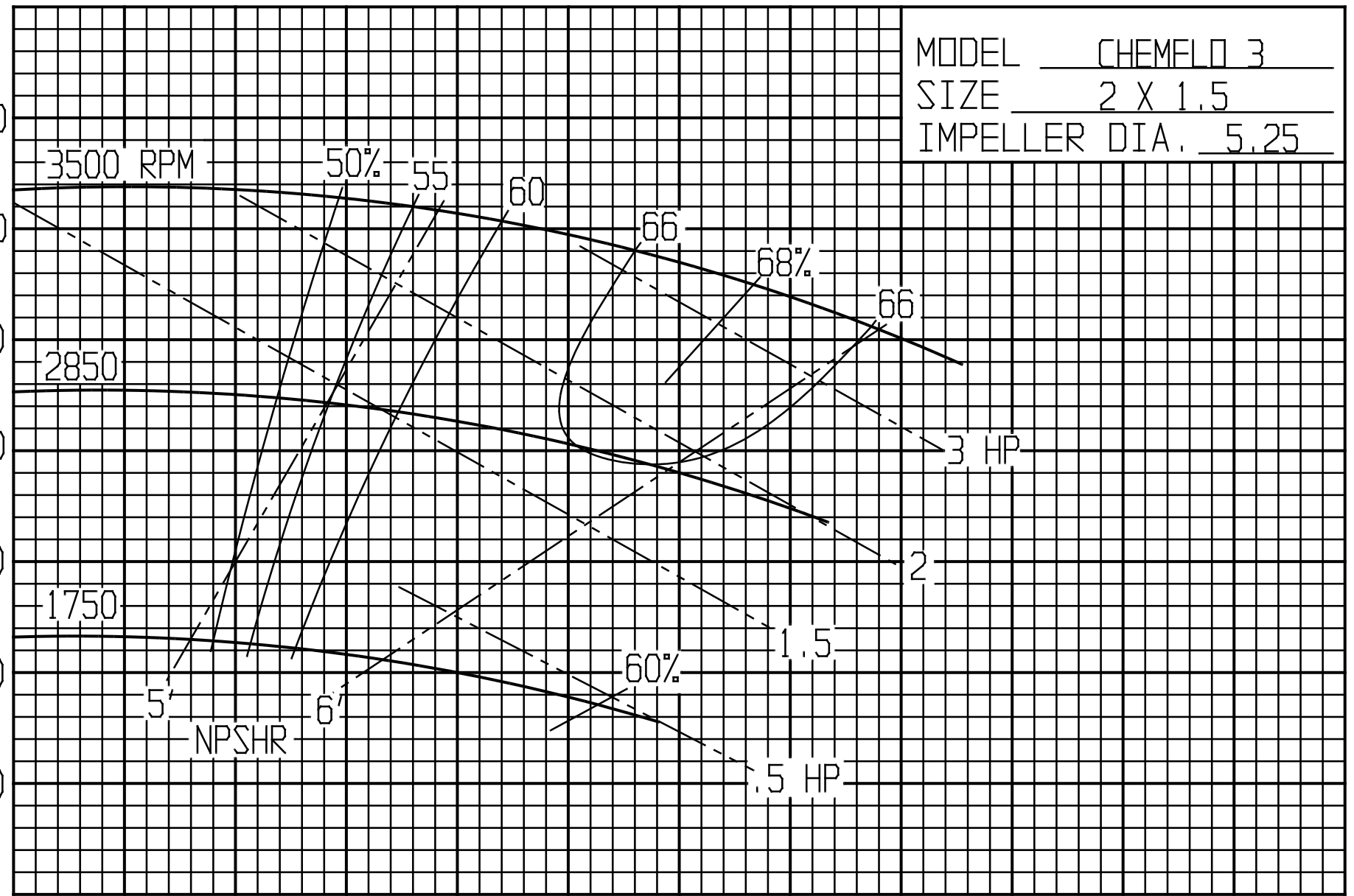
0 10 20 30

MODEL CHEMFLO 3  
SIZE 2 X 1.5  
IMPELLER DIA. 5.25

TOTAL HEAD - FEET

120  
100  
80  
60  
40  
20  
0

TOTAL HEAD - METERS  
20  
0



0 15 30 45 60 75 90 105 120 135 150

GALLONS PER MINUTE

C/N 5121