

Magnetic Drive Gear Pump

SERIES 120

 **Series 120** Backed by a tradition of engineering

and technological expertise, the Series 120 from

Micropump delivers exceptional pumping

performance for any high precision

application. These compact, magnetically

driven gear pumps feature a cavity style

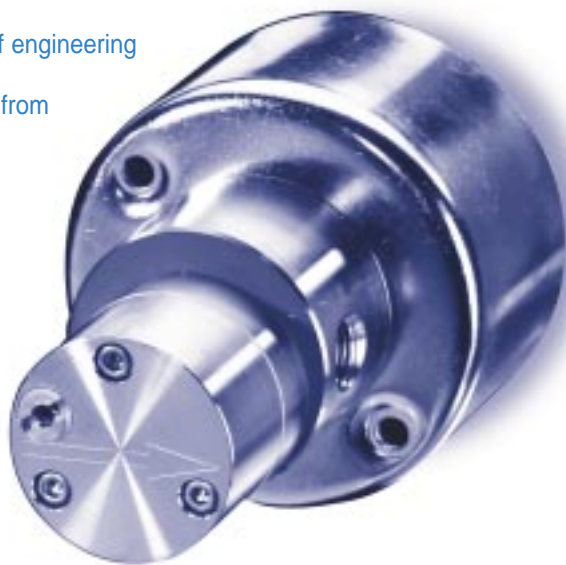
design with Teflon® seals to ensure

leak-free performance. With benefits

like chemical resistance and smooth,

pulseless delivery, Series 120 pumps are

available with a wide range of options, as well as in standard and OEM configurations.



Small Size

The miniature package size of the Series 120 delivers performance that is usually found only in much larger pumps.

Leak-Free

The magnetic drive and Teflon seals keep the fluid securely inside the pump and potential contaminants out.

Smooth Pulseless Delivery

Positive displacement, helical gears provide smooth, accurate fluid delivery that is proportional to motor speed.

Chemically Resistant

An extensive range of wetted material options ensure compatibility with a wide range of chemicals.

Easy to Service

Series 120 pumps are easy to service using a Micropump service kit and simple hand tools.

Wide Range of Options

Product design offers the flexibility to configure the product to your specific needs. Some options include:

- Three standard gear sizes
- Multiple gear and body materials
- Optional internal bypass
- Optional high torque magnets
- Side or deck port configurations
- NEMA, IEC, and Micropump drive mounts

Advanced Pump Technology

Micropump uses the latest engineering tools and manufacturing equipment to produce the most advanced pumping solutions available. Products are developed using state-of-the-art CAD, Finite Element Analysis (FEA), and rapid prototyping tools. Precision CMM and CNC manufacturing

equipment ensure the highest level of product quality.

Proven Reliability

Nearly 40 years of experience solving the most difficult pumping problems go into the design and manufacture of every Micropump pump, ensuring the most reliable pumping solution available.

OEM Configurations

Series 120 pumps can be customized to meet your individual requirements.



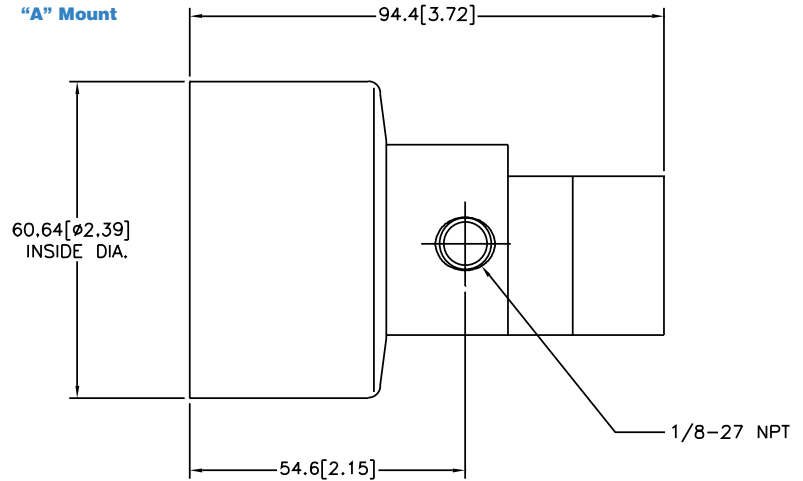
SERIES 120

Magnetic Drive Gear Pump

Performance Summary

Flow Rate	
at 3450 rpm	
3.2 L/min	0.85 gpm
Displacement (ml/rev)	
Gear Set	N21 N23 N25
ml/rev	0.316 0.64 0.91
Maximum Differential Pressure	
5.6 Bar	80 psi
Maximum System Pressure	
21 Bar	300 psi
Temperature Range	
-46 to 121° C	-50 to 250° F
Viscosity Range	
0.2 to 1500 cps	Maximum Speed
	10,000 rpm

Dimensions



Units: mm[in]. Nominal dimensions shown.

Pump Construction

- Magnetic drive gear pump
- Cavity style
- Two helical, shafted gears
- Sleeve bushings
- Teflon® gaskets and seals

Wetted Materials

- Base material
 - 316 stainless steel
 - Alloy 20
 - Titanium
 - Hastelloy C-276®
 - Hastelloy B-2®
- Gears
 - PEEK
 - Ryton® (PPS)
 - Teflon
- Static seals
 - Teflon

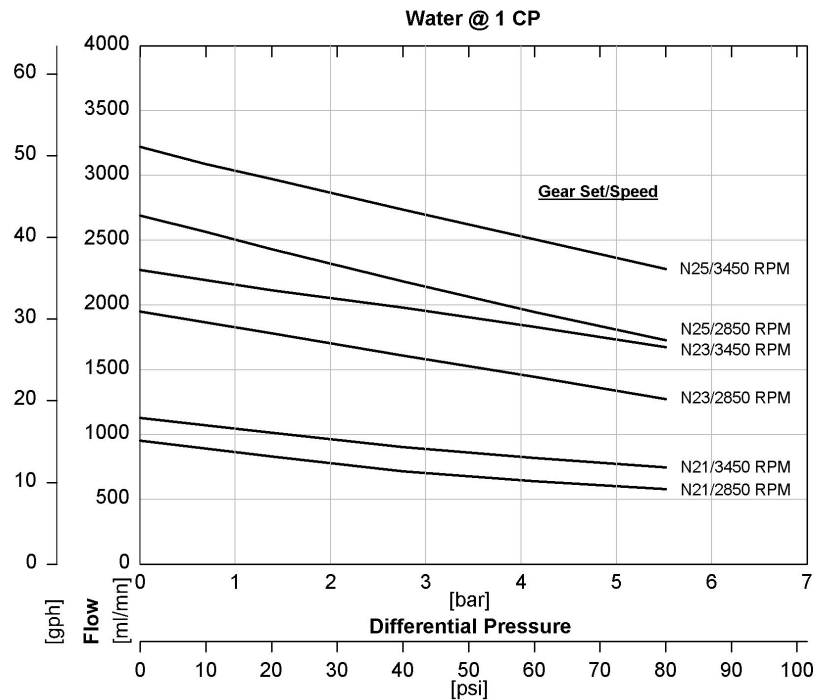
Magnets

- Driven and driving
 - Ferrite
 - Rare earth

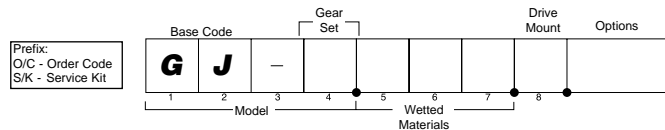
Product Enhancements

- Internal bypass
- Deck ports
- Tri-clamp fittings
- Carbon bushings

Pump Performance



Order Code



ACTUAL PERFORMANCE MAY VARY

Specifications are subject to change without notice.

©2001 Micropump, Inc., A Unit of IDEX Corporation. Micropump and the Micropump logo are registered trademarks of Micropump, Inc. All other trademarks belong to their respective owners.

TT2746MPV-05/2001

MICROPUMP, INC.

A Unit of IDEX Corporation

Phone: (360) 253-2008 • (800) 671-6269

Fax: (360) 253-2401 • (800) 222-9565

MICROPUMP LIMITED

A Subsidiary of Micropump, Inc.

Phone: + 44 (0) 1480 356900

Fax: + 44 (0) 1480 356920

info@micropump.com
www.micropump.com

