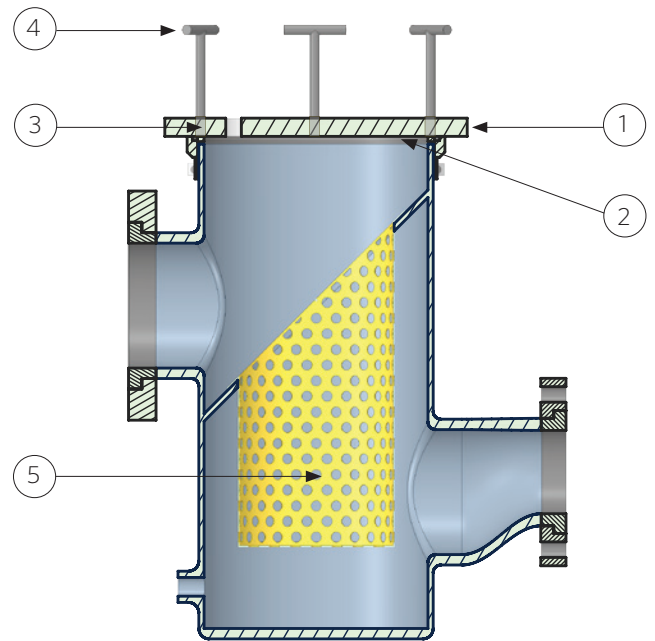


BASKET STRAINER (FT)

2021 PARTS PRICING



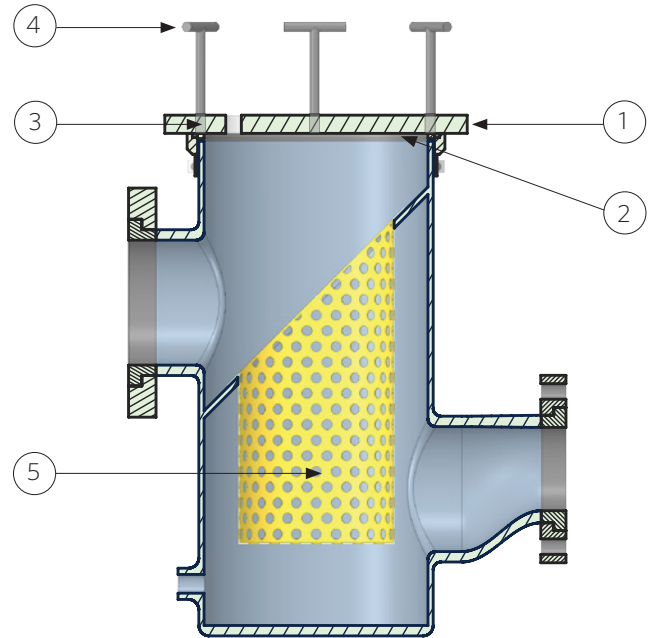
Basket Strainer (FT)

Our heavy duty FT model strainer is constructed of FRP, PVC, and 316SS. These materials result in a product that is extremely corrosion resistant and built to last the life of any project. The standard basket is 18 Gauge 316SS, constructed with 1/8" holes perforated on 3/16" staggered centers. Baskets can be fabricated with a variety of hole sizes and open areas to meet varying design requirements.

REFERENCE NO.	PART NUMBER	DESCRIPTION	LIST PRICE
	24169627	4" x 3", Complete Unit, 5.25" Effluent Centerline (Sequence® Titan, Genesys® 3x2)	3197.00
	24170608	4" x 3", Complete Unit, 8.25" Effluent Centerline (C•Shell® 3x2)	3197.00
	24170748	6" x 4", Complete unit, 8.25" Effluent Centerline (C•Shell® 4x3)	4026.00
	24170699	8" x 6", Complete Unit, 9.75" Effluent Centerline (C•Shell® 6x5)	5861.00
1	24170867	4" x 3", Clear Acrylic Cover, Includes Vent Valve	377.08
1	24170874	6" x 4", Clear Acrylic Cover, Includes Vent Valve	422.92
1	24170881	8" x 6", Clear Acrylic Cover, Includes Vent Valve	508.33
2	24170888	4" x 3", Lid O-Ring	21.89
2	24170895	6" x 4", Lid O-Ring	23.97
2	24170902	8" x 6", Lid O-Ring	30.22
3	24170909	Universal Lid I-Bolt, 316SS, All Sizes, 4/6/8	50.00
4	24170916	Universal Lid T-Handle, 316SS, All Sizes, 4/6/8	40.64
5	24170923	4" x 3" Strainer Basket, 316SS, 1/8" Perforations	791.67
5	24170930	6" x 4" Strainer Basket, 316SS, 1/8" Perforations	1004.17
5	24170937	8" x 6" Strainer Basket, 316SS, 1/8" Perforations	1164.58
5	24170944	4" x 3" Strainer Basket, PVC, 1/8" Perforations	884.72
5	24170951	6" x 4" Strainer Basket, PVC, 1/8" Perforations	1263.89
5	24170958	8" x 6" Strainer Basket, PVC, 1/8" Perforations	1606.94

BASKET STRAINER (FT)

PARTS SHEET



Basket Strainer (FT)

Our heavy duty FT model strainer is constructed of FRP, PVC, and 316SS. These materials result in a product that is extremely corrosion resistant and built to last the life of any project. The standard basket is 18 Gauge 316SS, constructed with 1/8" holes perforated on 3/16" staggered centers. Baskets can be fabricated with a variety of hole sizes and open areas to meet varying design requirements.

REFERENCE NO.	PART NUMBER	DESCRIPTION
	24169627	4" x 3", Complete Unit, 5.25" Effluent Centerline (Sequence® Titan, Genesys® 3x2)
	24170608	4" x 3", Complete Unit, 8.25" Effluent Centerline (C•Shell® 3x2)
	24170748	6" x 4", Complete unit, 8.25" Effluent Centerline (C•Shell® 4x3)
	24170699	8" x 6", Complete Unit, 9.75" Effluent Centerline (C•Shell® 6x5)
1	24170867	4" x 3", Clear Acrylic Cover, Includes Vent Valve
1	24170874	6" x 4", Clear Acrylic Cover, Includes Vent Valve
1	24170881	8" x 6", Clear Acrylic Cover, Includes Vent Valve
2	24170888	4" x 3", Lid O-Ring
2	24170895	6" x 4", Lid O-Ring
2	24170902	8" x 6", Lid O-Ring
3	24170909	Universal Lid I-Bolt, 316SS, All Sizes, 4/6/8
4	24170916	Universal Lid T-Handle, 316SS, All Sizes, 4/6/8
5	24170923	4" x 3" Strainer Basket, 316SS, 1/8" Perforations
5	24170930	6" x 4" Strainer Basket, 316SS, 1/8" Perforations
5	24170937	8" x 6" Strainer Basket, 316SS, 1/8" Perforations
5	24170944	4" x 3" Strainer Basket, PVC, 1/8" Perforations
5	24170951	6" x 4" Strainer Basket, PVC, 1/8" Perforations
5	24170958	8" x 6" Strainer Basket, PVC, 1/8" Perforations