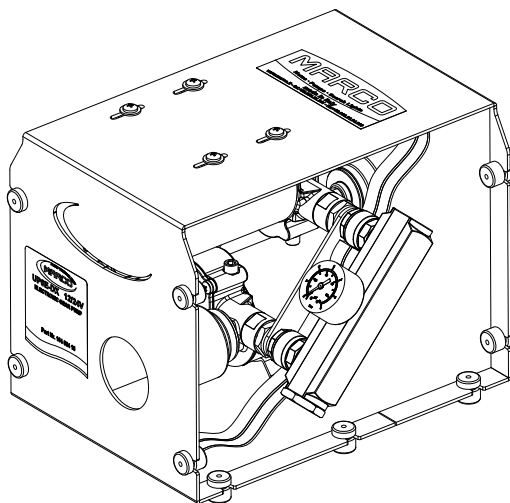




**ELETTROPOMPA AUTOADESCANTE
PER TRAVASO LIQUIDI
SELF-PRIMING ELECTRIC PUMP
FOR TRANSFERRING VARIOUS LIQUIDS**

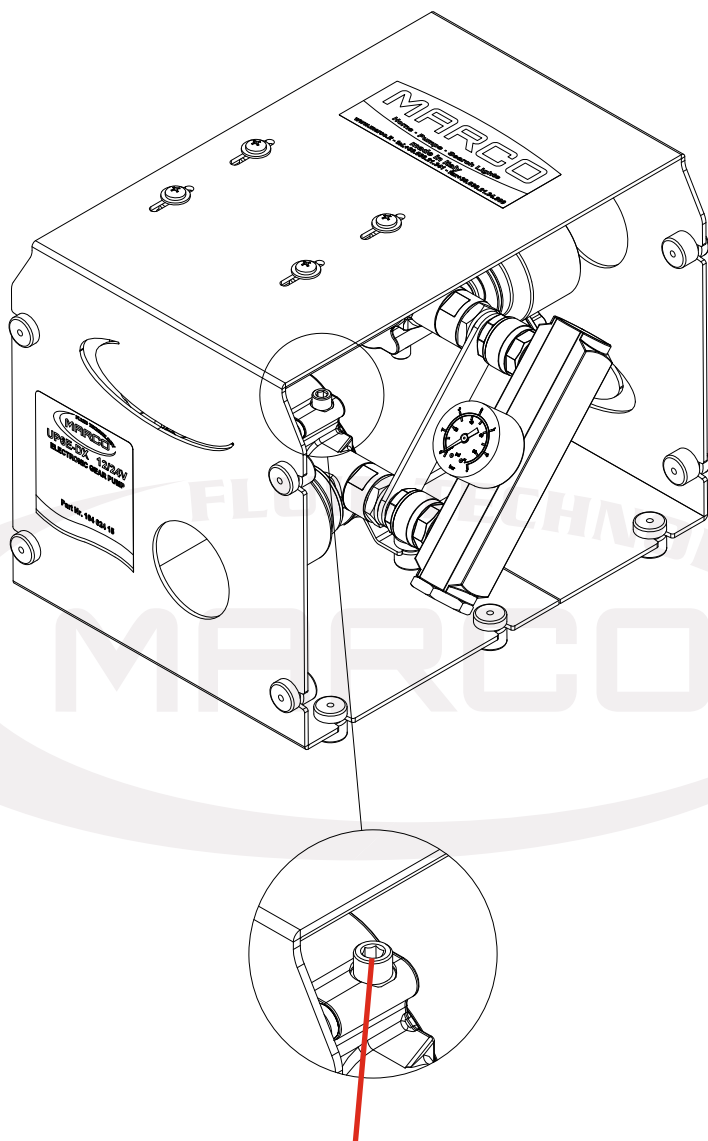
**AVVERTENZE D'USO
INSTRUCTIONS FOR USE**

**164 627 12 - UP66/E-DX 12V
164 627 13 - UP66/E-DX 24V
164 628 12 - UP66/E-DXP 12V
164 628 13 - UP66/E-DXP 24V**



CE

22/05/14 Rev.02

ATTIVAZIONE VALVOLA DI SFIATO / AIR VENT VALVE ACTIVATION

Al primo avvio della pompa, oppure in caso di svuotamento del serbatoio, agire brevemente sulla valvolina manuale per sfogare l'aria e favorire l'adescamento.
Una volta azionata la pompa, richiudere la valvolina.

*When starting the pump, or when emptying the tank, slightly open the small valve, in order to let the air out and facilitate the priming.
As soon as the pump is operating close the small valve.*

PRODUCT DESCRIPTION

A

Self-priming gear pump, check valve and electronic pressure sensor with water-lack monitor: to be used as automatic pump for boats, trucks, camper, etc.
 Nichel-plated brass body, PTFE gear, stainless-steel shaft and lip seal. The electronic pressure sensor is preset at 3 bar.

TECHNICAL DETAILS


B

CODE	TYPE	VOLT	FUSE	FLOW RATE	PRESSURE	WEIGHT	PCS x BOX
164 627 12	UP66/E-DX	12	20A+30A	66 l/min	3 bar	11,1 kg	1
164 627 13		24	20A+20A				
164 628 12	UP66/E-DXP	12	20A+30A				
164 628 13		24	20A+20A				

AMBIENT CONDITIONS

C

TEMPERATURE: min. -10 °C / max. +40 °C **RELATIVE HUMIDITY:** max. 90 %

 **WARNING:** the above indicated temperature ranges are applicable to all components of the the pump and these limits must be respected in order to avoid any possible damage or malfunctioning.

OPERATING CYCLE

D

The pump has been designed for discontinuous use. Under conditions of high operating pressures (eg. with closed or blocked outlet, excessive length of the delivery circuit and/or excessive pressure due to accessories), it can be subjected to elevated stresses and overheating and therefore should not be used for prolonged periods under such conditions.

APPLICATIONS

E

There are numerous fields of applications for the pump, however only exclusively with the allowed liquids mentioned:

- Main use as automatic pump for freshwater and sanitary water systems on boats, camper.

F FLUIDS ALLOWED / NOT ALLOWED

ALLOWED:

FRESH WATER AND SEA WATER (max 40°C)

DIESEL FUEL minimum flashpoint (PM): 55°C.

NOT ALLOWED:

- PETROL (GASOLINE)
- FLAMMABLE LIQUIDS with PM < 55°C
- LIQUIDS WITH VISCOSITY > 20 cSt
- FOODSTUFF LIQUIDS
- CORROSIVE CHEMICAL PRODUCTS

- SOLVENTS

RELATED DANGERS

- FIRE EXPLOSION
- FIRE EXPLOSION
- MOTOR OVERHEATING
- FOODSTUFF LIQUID CONTAMINATION
- PUMP CORROSION
- INJURY TO PERSONNEL
- FIRE EXPLOSION
- DAMAGE TO SEALS

WARRANTY EXPIRES IF MAX FLUID TEMPERATURE IS EXCEEDED

G TRANSPORTATION AND HANDLING

Due to limited weight and dimensions the pump does not require the use of any special handling or lifting equipment. When handling manually, normal personal protective gear should be worn (safety shoes with toe piece, etc.)

The pump is carefully packed prior to shipment. Upon receiving, the packaging should be inspected for damages and the pump stored in a dry area.

H INSTALLATION

It is recommended that the use of the pump be according to normative safety standards and also as per the precautions listed below.

H-1 PRELIMINARY CHECKS

Check that there has been no damage to the pump during transportation or storage. Both inlet and outlet ports should be carefully cleaned removing possible dust or residual packaging material. Verify that the available electrical power supply corresponds to the specification requirements.

H-2 POSITIONING

The pump can be mounted in any position. Fix it utilizing suitable screws corresponding to the antivibration mounts supplied.

⚠ WARNING: THE MOTOR IS NOT EXPLOSION PROOF. Do not install the pump where flammable vapours or gases may be present. Install it in an accessible place for inspection.

It is good practice to avoid any pump contact with water splashes possibly causing water seepage into the motor with high risk of internal oxidation and/or short circuit.

TUBING CONNECTIONS

H-3

- Prior to making any tube/hose connections, check that the inlet ports have no end caps;
- Do not position the pump at a height greater than 1,5 m with respect to the minimum level of the fluid to be transferred. Damage may occur if this height is exceeded as the pump may not draw fluid. Make sure that the outlet tube is empty and without chokes;
- Avoid choking the inlet or outlet tubes so that efficiency is optimized. The use of an inlet filter is mandatory especially with fluids containing impurities (filter grid gauge 0,5 mm). In this case frequent cleaning and maintenance of the filter is advisable. Utilize tubes and connection pieces that are resistant to the fluid types handled and avoid any possible environmental dispersion.
- On the outlet side it is advisable to use at least a short section of flexible tubing 1 m length.

ELECTRICAL CONNECTION

H-4

The electrical installation must include a protection fuse which is suitably rated as indicated on the motor label and sized with reference to the chosen point of application.

WARRANTY EXPIRES IF NO FUSE IS UTILIZED

Always mount the anti vibration rubber fittings supplied with the pump kit. Their usage ensures a consistent reduction in noise and vibration levels.

Electrical cabling size should depend on the distance between pump and battery power supply.

Up to 3 m length: 6 mm²

The use of undersized cabling can cause overheating of the electrical wiring and subsequent fire hazard. There will also be a voltage drop at the motor terminals with a consequent reduction in efficiency.

The flow rate value indicated on the motor label is obtained with a 20 mm internal tube diameter. Tubes with inferior diameters will cause an increase in current with potential risk of motor overheating. On the outlet side it is advisable to use at least a short section of flexible tubing.

To ensure the correct directional flow of the fluid as indicated by the arrow on the top plate, it is necessary to connect the positive pole (+) of the battery supply to the red wire on the motor end-cap and the negative pole (-) to the black wire. Electrical connections must be made using adequate terminal blocks and connectors ensuring a tight fitment of the electrical cables. Bad wiring can cause power losses and/or overheating of the cabling itself.

⚠ WARNING: it is the responsibility of the installation technician to ensure a correctly designed circuit installation fitted according to regulations. Environmental risks must be taken into account with the installation.

I

TROUBLESHOOTING

I-1 CHECK POINTS IF THE PUMP HAS STOPPED OR WILL NOT START

- Check the effectiveness of the battery power supply (voltage activity);
- Check if the fuse has blown;
- Check for any foreign matter present in-between the pump gear drives. To do this, disconnect the power supply and unscrew the four fixing screws, remove the front cover plate and inspect the chamber. Replace the cover plate in the same initial position after inspection;
- Avoid running the pump dry for more than a few minutes. Pumps found defective that have run dry in the absence of fluid are not covered by warranty;
- The average life span of the motor commutator brushes is approximately 2000 hours under normal operating conditions. Stoppages are possible due to brush wear and tear after such a time period.

I-2

WHY THE PUMP WILL NOT PRIME ITSELF?

- The pump is fitted at a height greater than 1,5 m above the fluid level;
- The pump has run dry for too long a period;
- Long periods of inactivity. In this case it is advisable to add liquid directly into the chamber before start-up. It is also advisable to add, before running the pump, a drop of lubricating oil inside the pump only;
- Air leak at the suction pipe due to the following reasons:
possible cuts in the pipe, inadequate hose clamps, malfunctioning of the filter due to defective/worn seals or filter clogged;
- Air leak at the front plate cover due to the following reasons:
Loose fixing screws, poor effectiveness of the seal;
- Faulty electrical cable connections;
- Presence of obstructions or restrictions in the suction or delivery pipes or the use of special devices(eg. automatic spray pistol or aqua-stop);
- Presence of liquid loops in the outlet tube.

I-3

GOOD PRACTICES ENSURING A WELL FUNCTIONING PUMP

No particular maintenance is required if the pump is utilized for the transfer of diesel fluids. If it is expected that the pump will not be used for a period of at least 30 days, especially in the case of usage with fresh or salty water, it is advisable to run fresh water through it and to then loosen the front plate screws. Upon re-use, run the pump briefly (a few seconds) and tighten the screws again. Check under conditions of maximum operating pressure that the motor current value is within the motor label specifications.

NORMAL MAINTENANCE

I-4

- Check frequently and keep the inlet filter clean;
- Check every month the chamber and keep clean from any foreign matter;
- Check every month that electrical wiring is in good condition;
- Every 2000 hours of pump operation substitute the motor brushes.

INDICATORS THAT THE PUMP IS FUNCTIONING CORRECTLY

I-5

- Temperature of body and motor frame is within 60°C - 70°C;
- Regular flow and constant noise levels;
- Amp-draw within the limits indicated in the technical details.

TO OPEN THE PUMP

I-6

It is recommended that a specialized service technician be consulted for any repair work or the replacement of worn out internal components, exclusively with original spare parts; During the warranty period, only by authorized Marco S.p.A. personnel, failing which the warranty will expire.

ENVIRONMENTAL DISPOSAL

L

Do not dispose of pumps into household waste. Pumps that are non longer usable must be collected separately and disposed of in an environmentally correct manner.

PACKAGING ENVIRONMENTAL DISPOSAL

L-1

The user is invited to effect a proper waste separation, in order to facilitate the recycling of the materials of which the packing is composed; disposal like CER 15.01.01/02

WARRANTY

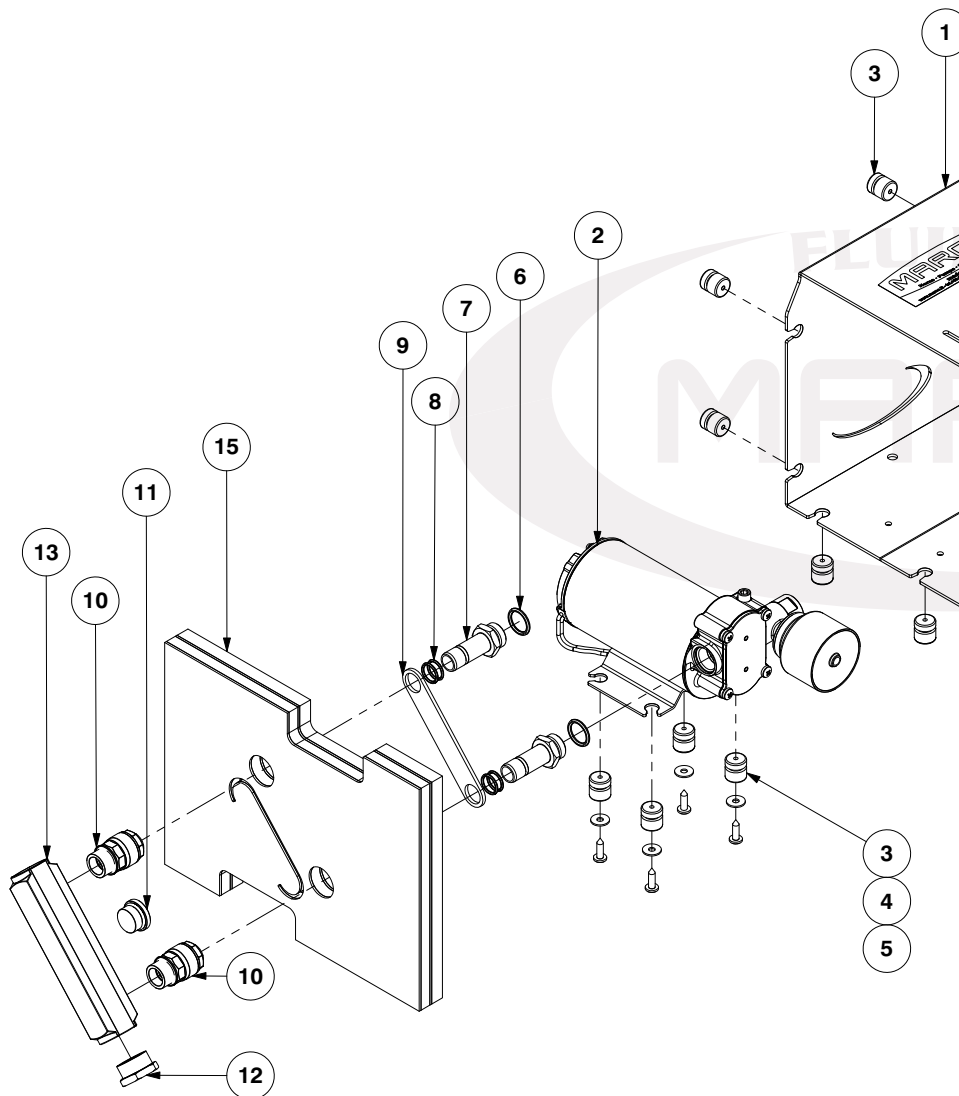
M

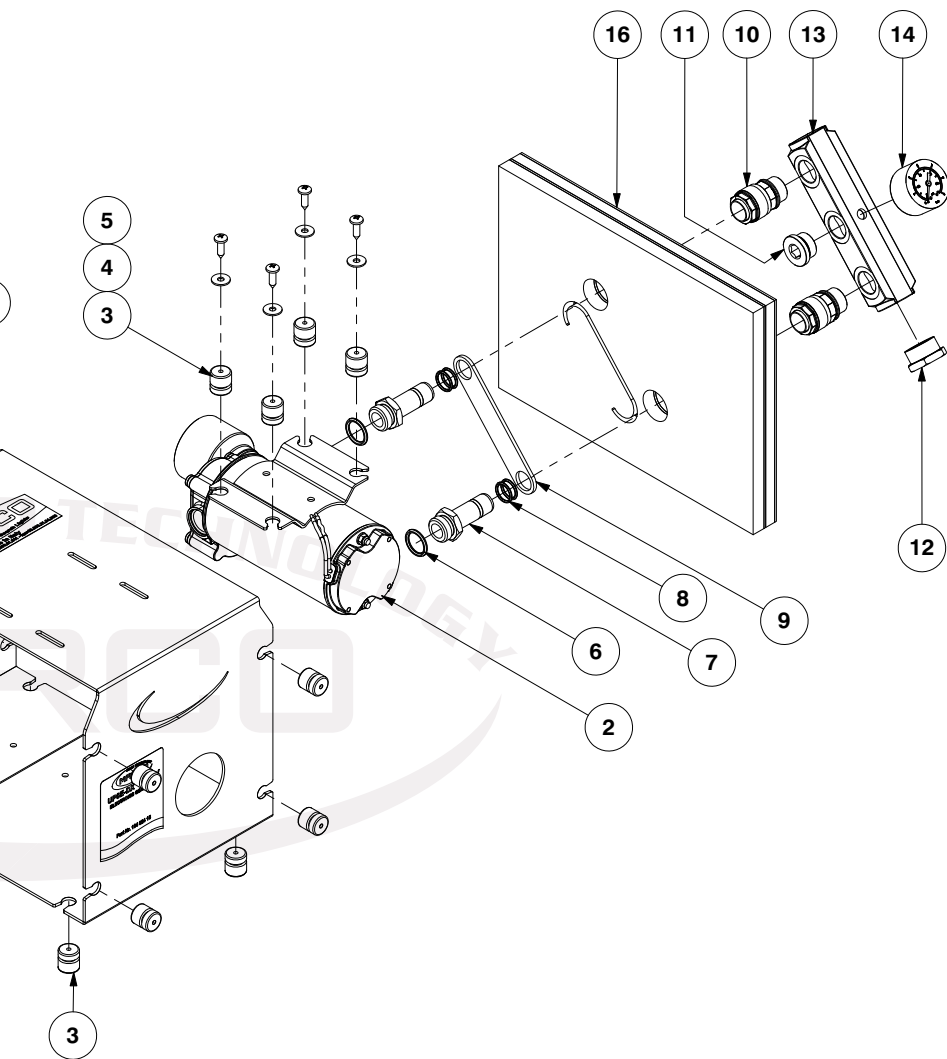
1. The Warranty period is 2 years from date of purchase on production of the appropriate sales invoice.
2. Should the original sales invoice not be available, then the 2 year warranty period will be valid from production date.
3. The Warranty becomes null and void in the case of incorrect utilization or disregard of the instructions contained herein.
4. The Warranty only covers original production defects.
5. The Warranty does not cover any related installation costs involved.
6. Transport costs are refundable only in the case where warranty has been duly accepted by Marco Spa and they will be limited to the actual shipment costs between Marco Spa warehouse and the client's delivery address.
7. No credit notes or replacement items will be issued prior to the receipt and proper testing of any Marco goods that are deemed faulty.

N1 **SCHEDA DI ASSEMBLAGGIO / EXPLODED VIEW**

Pos.	Q.tà	Descrizione
1	1	STAFFA
2	2	POMPA
3	22	ANTIVIBRANTE
4	8	VITE
5	8	RONDELLA
6	4	O-RING
7	4	NIPPLO
8	8	O-RING

Pos.	Q.tà	Descrizione
9	2	MANIGLIA
10	4	NIPPLO
11	2	TAPPO
12	2	TAPPO
13	2	COLLETTORE
14	1	MANOMETRO
15	1	PANNELLO SX
16	1	PANNELLO DX





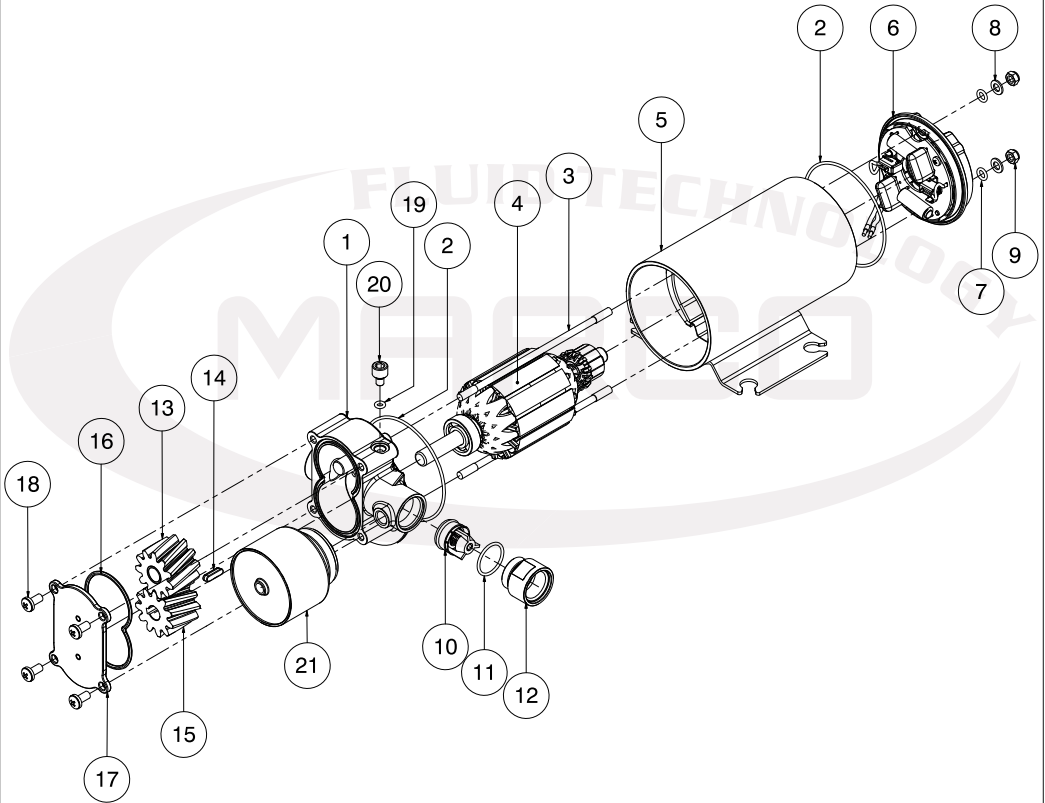
Pos.	Q.ty	Description
1	1	CARTER
2	2	PUMP
3	22	ANTIVIBRATION MOUNT
4	8	SCREW
5	8	WASHER
6	4	O-RING
7	4	NIPPLE
8	8	O-RING

Pos.	Q.ty	Description
9	2	HANDLE
10	4	NIPPLE
11	2	CAP
12	2	CAP
13	2	MANIFOLD
14	1	PRESSURE GAUGE
15	1	PANEL SX
16	1	PANEL DX

N2 **SCHEDA DI ASSEMBLAGGIO / EXPLODED VIEW**

Pos.	Q.tà	Descrizione
1	1	CORPO
2	2	O-RING
3	2	TIRANTE
4	2	INDOTTO
5	1	CARCASSA
6	1	CALOTTA
7	2	O-RING
8	2	RONDELLA
9	2	DADO
10	1	VALVOLA DI NON RITORNO
11	1	O-RING

Pos.	Q.tà	Descrizione
12	1	NIPPLIO
13	1	INGRANAGGIO FOLLE
14	1	LINGUETTA
15	1	INGRANAGGIO TRAINANTE
16	1	O-RING
17	1	PIATTELLO
18	4	VITE
19	1	O-RING
20	1	TAPPO
21	1	SENSORE DI PRESSIONE



Pos.	Q.ty	Description
1	1	PUMP BODY
2	2	O-RING
3	2	ROD
4	2	ARMATURE
5	1	PUMP FRAME
6	1	BRUSH HOLDER
7	2	O-RING
8	2	WASHER
9	2	NUT
10	1	NON RETURN VALVE
11	1	O-RING

Pos.	Q.ty	Description
12	1	NIPPLE
13	1	IDLE GEAR
14	1	KEY
15	1	DRIVING GEAR
16	1	O-RING
17	1	TOP PLATE
18	4	SCREW
19	1	O-RING
20	1	CAP
21	1	ELECTRONIC PRESSURE SENSOR

RIMOZIONE PANNELLI / REMOVE PANELS

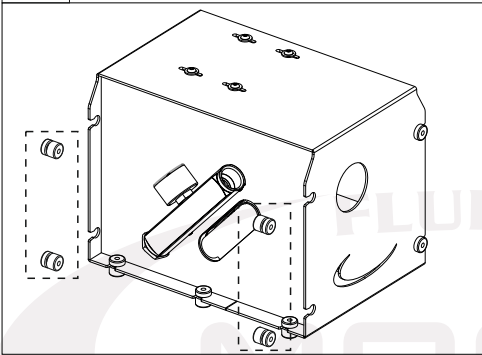
N3

Una volta spenta la pompa, per rimuovere i pannelli laterali procedere come indicato:

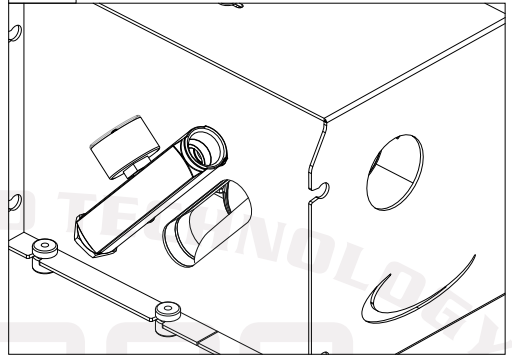
- togliere i gommini di contenimento del pannello (N3.1);
- inserire la mano nell'asola laterale (N3.2);
- tirare con forza la maniglia, appoggiando il palmo della mano sul collettore (N3.3);
- estrarre tutto il pacchetto (N3.4).

Per il rimontaggio, eseguire la procedura aiutandosi con lo schema esploso Par. N.1

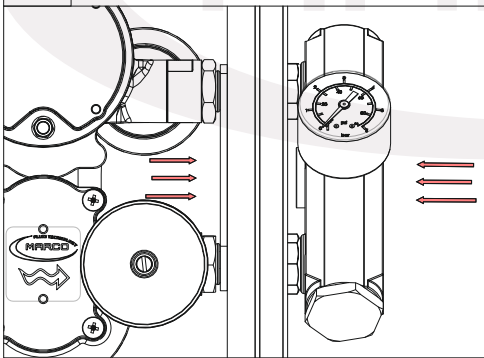
N3.1



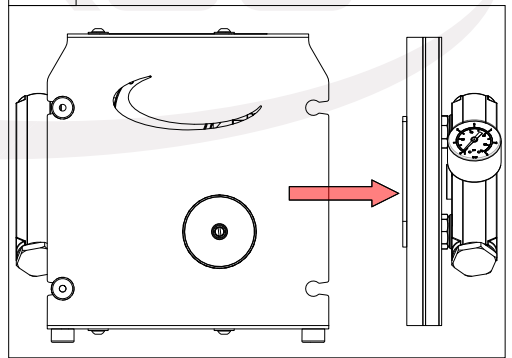
N3.2



N3.3



N3.4



Once the pump has been turned off, proceed as hereby indicated to remove the lateral panels:

- remove the rubber mounts from the panel (N3.1);
- introduce the hand in the lateral opening (N3.2);
- firmly pull the handle while placing the palm of the hand on the manifold (N3.3);
- extract the whole assembly (N3.4).

To place the panel back follow the procedure with the help of exploded view Par. N.1

INGOMBRI / DIMENSIONS

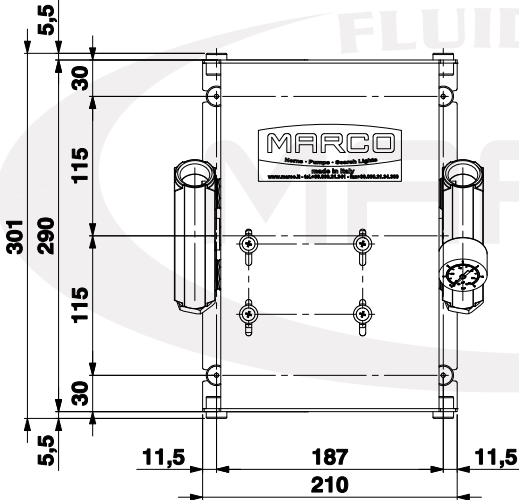
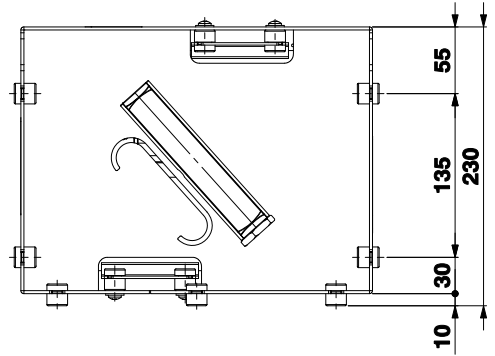
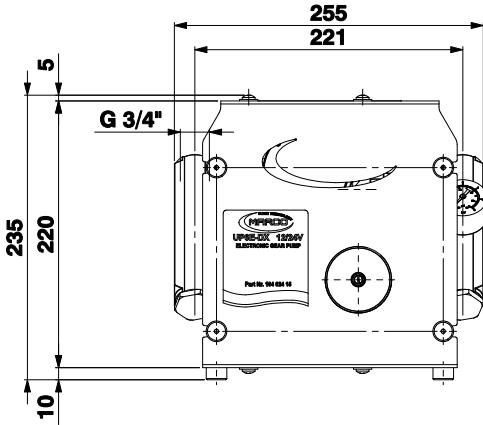


DIAGRAMMA PORTATA
FLOW RATES DIAGRAM

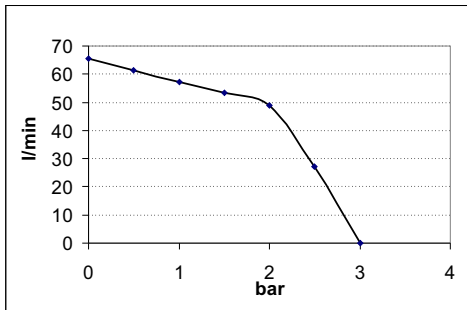
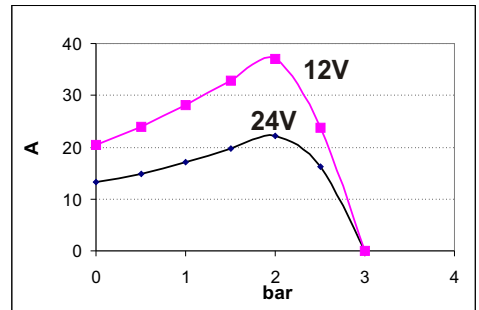


DIAGRAMMA ASSORBIMENTI
AMPERE-DRAW DIAGRAM





Associato AIB
Associazione
industriale
bresciana

DICHIARAZIONE DI CONFORMITA' C.E. E.C. DECLARATION OF CONFORMITY

Confermiamo che il prodotto:
We confirm that the product:

164 627 12 - UP66/E-DX 12V Pompa elettronica / *Electronic pump*

164 627 13 - UP66/E-DX 24V Pompa elettronica / *Electronic pump*

164 628 12 - UP66/E-DXP 12V Pompa elettronica + pannello / *Electronic pump + control panel*

164 628 13 - UP66/E-DXP 24V Pompa elettronica + pannello / *Electronic pump + control panel*

E' conforme alla Direttiva 2004/108/CE (ex.89/336/CE) relativa alla Compatibilità Elettromagnetica.
Is in conformity with the Directive 2004/108/EC (ex.89/336/EC) relating to Electromagnetic Compatibility.

Questa dichiarazione è valida per tutti gli articoli prodotti secondo la documentazione tecnica che è parte di questa dichiarazione. In caso di eventuali verifiche pertinenti alla Compatibilità Elettromagnetica sono state applicate le seguenti normative:

This declaration is valid for all products which are produced in accordance with the technical documentation which is a part of this declaration. For verification of conformity with regard to Electromagnetic Compatibility the following standards are applied:

EN 55014-1

Compatibilità elettromagnetica.
Requisiti per gli elettrodomestici,
gli utensili elettrici ed apparecchi similari.
Parte 1: Emissione.

*Electromagnetic compatibility.
Requirements for household appliances,
electric tools, and similar apparatus.
Part 1: Emission.*

EN 55014-2

Compatibilità elettromagnetica.
Requisiti per gli elettrodomestici,
gli utensili elettrici ed apparecchi similari.
Parte 2: Immunità.

*Electromagnetic compatibility.
Requirements for household appliances,
electric tools, and similar apparatus.
Part 2: Immunity.*

Questa dichiarazione è rilasciata sotto la responsabilità esclusiva di:
This declaration is given under the sole responsibility of:

MARCO S.P.A.
Via Mameli 10 - 25014 Castenedolo - Brescia - Italy
Tel. 030/2134.1 Fax 030/2134.300

Questo documento e' proprieta' di Marco S.p.A la riproduzione e l'uso sono vietati.

Tutti i diritti sono riservati.

Per ulteriori informazioni vedere nostro sito internet - www.marco.it

Marco S.p.A Via Mameli 10 - 25014 Castenedolo (Brescia) – Italia

tel. +39 030 2134.1 / Fax +39 030 2134.300

Property of MARCO S.p.A reproduction prohibited. All rights reserved.

For further information visit our web site - www.marco.it

Marco S.p.A Via Mameli 10 - 25014 Castenedolo (Brescia) – Italy

tel. +39 030 2134.1 / Fax +39 030 2134.300