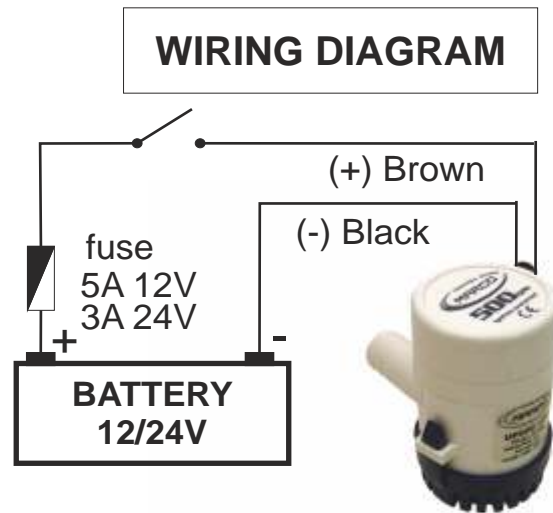


**UP500 12V 160 100 12**  
**UP500 24V 160 100 13**



TYPE	PART NUMBER	VOLT	LIFT	PORTS	FLOW RATE	CONSUMPTION	FUSE	DIMENSIONS	PCS x BOX
UP500	160 100 12	12	4 m	19 mm	32 l/min	2,5A	5A	94,5 x ø59	12
			13 ft.	3/4"	500 gph				
UP500	160 100 13	24	4 m	19 mm	32 l/min	1,2A	3A	94,5 x ø59	12
			13 ft.	3/4"	500 gph				

**WARNING**

This pump is designed for use with fresh and salt water only. Use with any other medium, including particularly hazardous, caustic or corrosive substances, could result in damage to the pump, the surrounding environment and injury to persons or property, including possible exposure to hazardous substances. **This pump is for water applications only.**

**MOUNTING**

Disassemble as follows:

- squeeze the tabs on each side of the blue strainer and lift the white power module out of the blue strainer
- mount strainer with stainless steel screws (screw holes on bottom of strainer).

Reassemble as follows:

- after mounting the blue strainer, replace white power module.

**PLUMBING**

- use correct bilge pump hose.
- the hose run should be as short and steep as possible. This will help to eliminate air pockets which can cause air-locking.
- attach all hoses to pumps with correct stainless steel hose clamps.

**ELECTRICAL**

- brown (+) wire is positive and connects to the positive terminal of the battery. Black (-) wire is negative and connects to the negative terminal of the battery.
- install the proper fuse (2,5A a 12V e 1,2A a 24V) in the brown wire somewhere between the pump and the battery.
- the electrical installation has to be done in a dry place in order to avoid contact with water.

**WARRANTY**

- 1) The Warranty period is 2 years from date of purchase on production of the appropriate sales invoice.
- 2) If this sales invoice is unavailable the Warranty period is 2 years from the date of manufacture.
- 3) The Warranty becomes null and void in the case of incorrect utilization or disregard of the instructions contained herein.
- 4) Warranty only covers defects due to original manufacturers production processes.
- 5) Warranty does not cover any related installation costs involved.
- 6) Transport costs are refundable only in the case where warranty has been duly recognized and accepted by Marco Spa. These costs will be limited to the actual shipment costs between Marco Spa warehouse and the client's delivery address.
- 7) No credit notes or replacement items will be issued prior to the receipt and proper testing of any Marco goods that are deemed faulty.