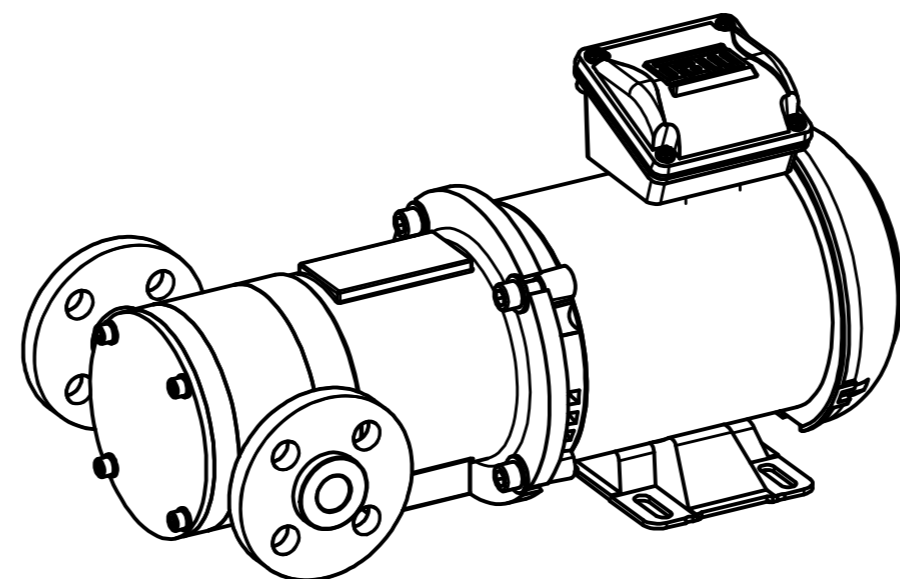
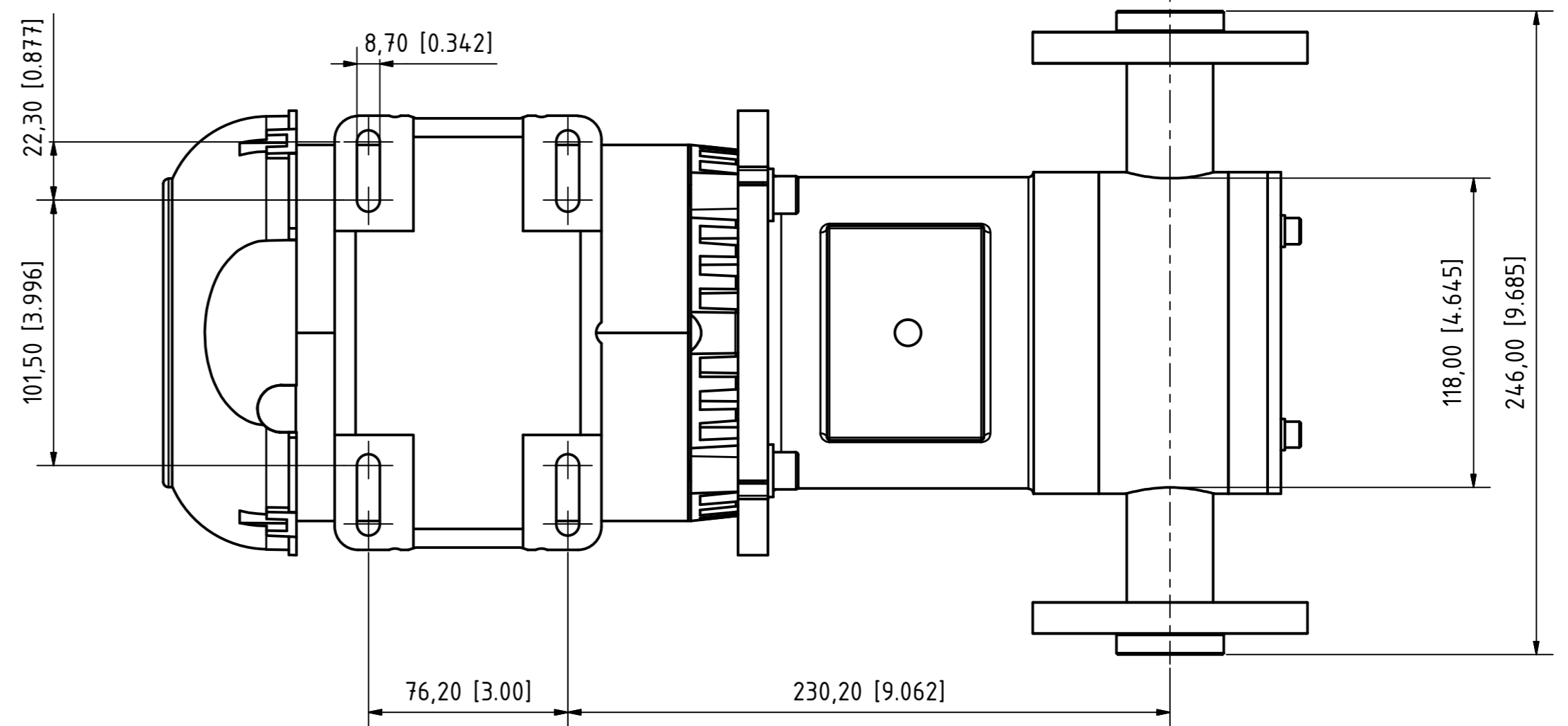


DIMENSIONS  
mm [inch]

DRIVE  
TEFC three phase asynchronous squirrel cage electric motor  
acc. to NEMA Standards  
Manufacturer: WEG  
Size: 56C-Face, 0.5 - 1.0 HP, 1750 rpm  
Pump Bracket and Drive Magnet adapted to NEMA 56C-Face

CONNECTIONS  
Lap Joint Flange ANSI 3/4" acc. to ANSI B 16.5 #150lbs  
or  
3/4" BSP / NPT female



Alle Angaben unverbindlich, technische Änderungen vorbehalten! Technical data not binding and subject to change!  
Copyright MARCH PUMPEN GmbH & Co.KG 2014

		MARCH PUMPEN GmbH Rätthausstraße 2 D-35394 Gießen Tel.: (+49) (0)641-686806-0 Fax.: (+49) (0)641-686806-60				1:2		Pump weight: 15kg	
Gezeichnet 09.11.2018		Datum 09.11.2018		Name Lach		VANE-MAG MP 2G Range PPF ANSI - NEMA56C			
Kontrolliert Norm		Datum		Name		MP2G_PPFA_NEMA			
Status		Änderungen		Datum		Name		1 A2	