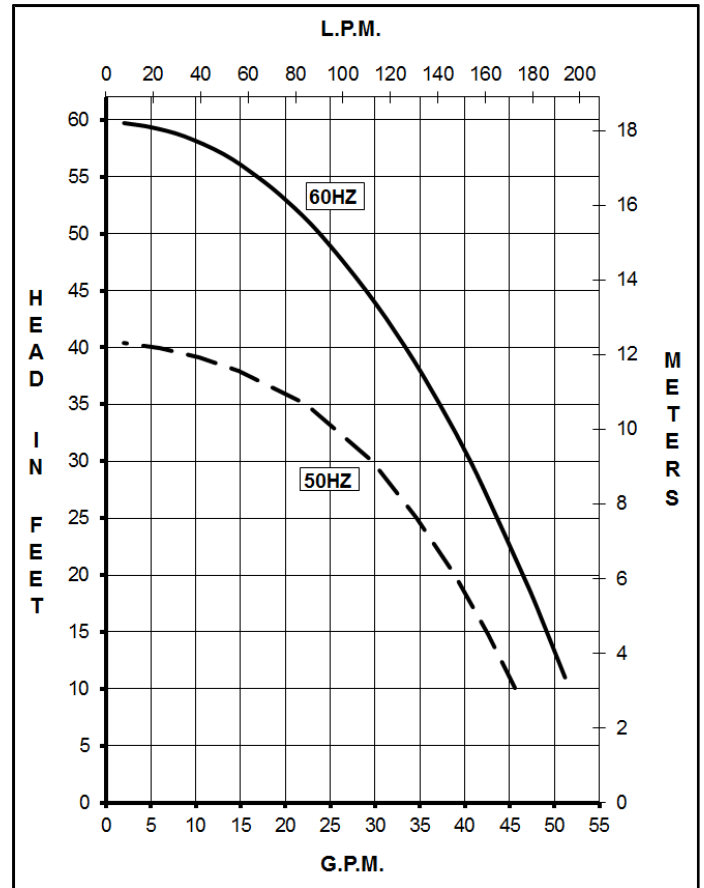
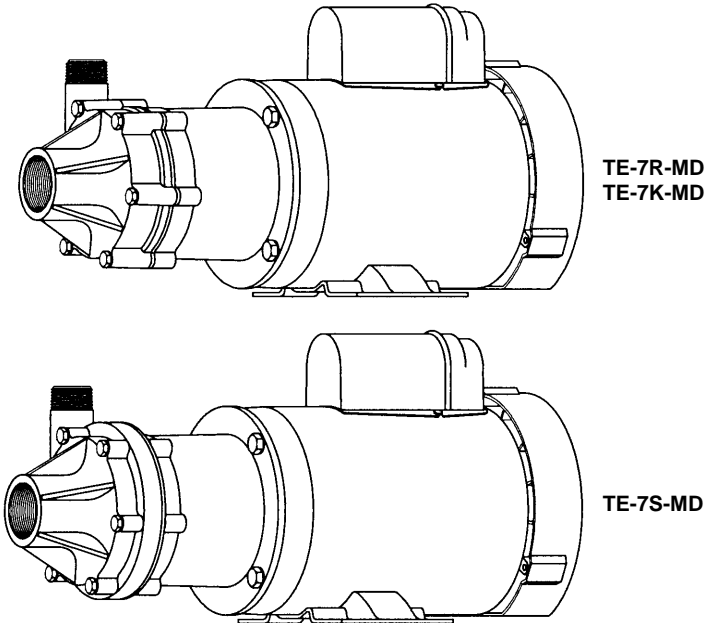




# MARCH PUMPS

1819 PICKWICK AVE., GLENVIEW, IL 60026-1306, U.S.A  
 PHONE: (847) 729-5300 - FAX: (847) 729-7062  
 WWW.MARCHPUMP.COM

## TE-7R-MD, TE-7K-MD TE-7S-MD



### MODEL ABBREVIATIONS:

TE = Totally Enclosed Fan Cooled Motor  
 R = Polypropylene/Ryton  
 K = Kynar, S = Stainless Steel  
 MD = Magnetic Drive

### DESCRIPTION:

Series 7 are centrifugal magnetic drive pumps, eliminating the need for a shaft seal. These pumps can be serviced with an adjustable wrench. See the repair parts list for a breakdown of replacement parts.

### OPERATION:

These pumps are not self-priming, lack a suction lift, and thus require a **flooded suction**. These pumps **cannot be run dry** because the impeller requires the liquid being pumped for lubrication. The direction of motor rotation should be clockwise when facing the inlet of the pump. For liquids with a specific gravity greater than water, have a higher viscosity, or for elevated temperatures, a trimmed impeller may be necessary. For application assistance, contact March Pump.

### ELECTRICAL:

Models are 115/230V, 1 phase or 230/460V, 3 phase, TEFC. The 7R & 7K have a 3/4 HP Motor. The 7S has a 1 HP Motor. Motors are U.L. listed and rated as continuous duty. Explosion proof and special voltage motors are available upon special order.

### NOTES:

All specifications & data are based on pumping water & are intended as a guideline only. Specifications may vary with different motors.

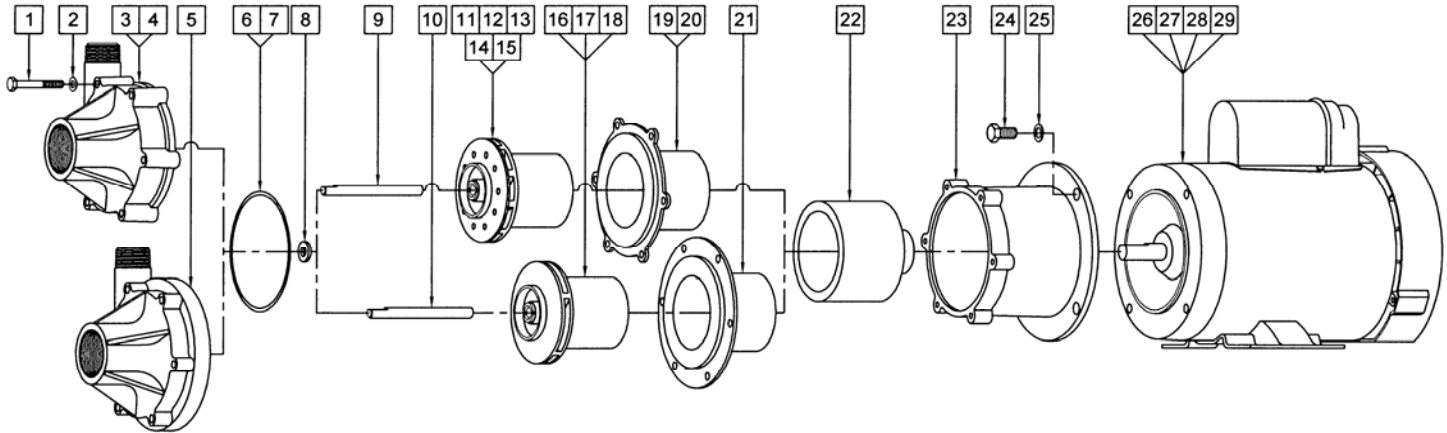
### LIMITED WARRANTY:

March pumps are guaranteed only against defects in workmanship or materials for a period of one year from date of manufacture pumping water. For the complete warranty and to register online go to [www.marchpump.com/warranty-registration](http://www.marchpump.com/warranty-registration)

SPECIFICATIONS			TE-7R-MD	TE-7K-MD	TE-7S-MD
Max Flow	50Hz	lpm	180		
	60Hz	gpm	53		
Max Head	50Hz	m	12.3		
	60Hz	ft (psi)	60 (26)		
Inlet			1-1/2" FPT		1-1/2" FPT
Outlet			1" MPT		
Max Internal Pressure	psi		50	75	200
	bar		3.4	5	13
Max Liquid Temperature	°F		190	200	250
	°C		87	93	121
Motor Type			TEFC 1 Phase		TEFC 1 Phase
50Hz	110V	Watts - Amps	764 - 10.4		740 - 12.4
	115V	Watts - Amps			
	220V	Watts - Amps	764 - 5.2		740 - 6.2
	230V	Watts - Amps			
	Kw - Rrpm		0.497 - 2850	0.745 - 2850	
60Hz	115V	Watts - Amps	1231 - 9.7		1140 - 11.8
	230V	Watts - Amps	1231 - 4.9		1140 - 5.9
	Hp - Rrpm		3/4 - 3450	1 - 3450	
Electrical Connection			Conduit Box		Conduit Box
Overall Pump Dimensions in Inches / cm	Height		8.94 / 22.7		8.94/22.7
	Width		8.96 / 22.7		8.96/22.7
	Length		17.81 / 45.2		18.29/46.4
Packed Weight			17.5/38.5		22.5/49.5
Motor Type			TEFC 3 Phase		TEFC 3 Phase
50Hz	190V	Watts - Amps	628 - 2.2		730 - 2.6
	230V	Watts - Amps			
	380V	Watts - Amps	628 - 1.1		730 - 1.3
	460V	Watts - Amps			
	Kw - Rrpm		0.559 - 2850	0.559 - 2850	
60Hz	230V	Watts - Amps	1023 - 2.2		1118 - 3.0
	460V	Watts - Amps	1023 - 1.1		1118 - 1.5
	Hp - Rrpm		3/4 - 3450	1 - 3450	
Electrical Connection			Conduit Box		Conduit Box
Overall Pump Dimensions in Inches / cm	Height		7.38 / 18.7		7.38/18.7
	Width		8.96 / 22.7		8.96/22.7
	Length		17.31 / 43.9		17.29/43.9
Packed Weight			15/33		20/44

**TE-7S-MD PUMP ONLY:**

The Impeller, shaft, and Thrust washer are packed separately within the carton to prevent damage during shipping. These items need to be assembled into the pump before installation. Be sure all parts are assembled per the exploded view shown.



**NOTE:**

When replacing Impeller Bushing in the field: The plastic bushings must be bored to size after they have been pressed into the impeller. Bore to 0.378/0.381 I.D. The carbon and ceramic bushings are to finished size and do not require boring. When attaching drive magnet (item 22) to the motor shaft, position the face of the drive magnet 1/8 inch below the face of the motor bracket (item 23).

REPAIR PARTS LIST								
ITEM	DESCRIPTION	MATERIAL	SIZE (Inches)	QTY	PART #	TE-7R-MD	TE-7K-MD	TE-7S-MD
1	Screw	Stainless	1/4-20 x 2 Lg	6	0155-0014-1000	S	S	S
2	Washer	Stainless	1/4 ID x 1/2 OD	6	0155-0021-1000	S	S	S
3	Front Housing	Polypropylene		1	0155-0011-1000	S		
4	Front Housing	Kynar		1	0155-0125-1000		S	
5	Front Housing	316 Stainless		1	0155-0036-0000			S
6	"O" Ring	Viton	1/8 CS x 4-3/8 OD	1	0155-0010-1000	S	S	S
7	"O" Ring	Viton/Teflon	1/8 CS x 4-3/8 OD	1	0155-0071-1000	O	O	O
8	Thrust Washer	Ceramic		1	0155-0009-1000	S	S	S
9	Shaft	Ceramic	4.070 Lg	1	0155-0039-1000	S	S	
10	Shaft	Ceramic	4.257 Lg	1	0155-0117-1000			S
11	Impeller w/Teflon/Ryton/Carbon Bushing	Polypropylene		1	0155-0159-0500	S		O
12	Impeller w/Carbon Bushing	Polypropylene		1	0155-0159-0200	O		O
13	Impeller w/Mica Teflon Bushing	Polypropylene		1	0155-0159-0400	O		O
14	Impeller w/Carbon Bushing	Kynar		1	0155-0160-0200		S	O
15	Impeller w/Mica Teflon Bushing	Kynar		1	0155-0160-0400		O	O
16	Impeller w/Carbon Bushing	316 Stainless		1	0155-0112-0400			S
17	Impeller w/Mica Teflon Bushing	316 Stainless		1	0155-0112-0800			O
18	Impeller w/Teflon/Ryton/Carbon Bushing	316 Stainless		1	0155-0112-0300			O
19	Rear Housing w/Thrust Washer	Ryton/Ceramic		1	0155-0067-0100	S		
20	Rear Housing w/Thrust Washer	Kynar/Ceramic		1	0155-0124-0100		S	
21	Rear Housing	316 Stainless		1	0155-0035-0000			S
22	Drive Magnet			1	0155-0130-0200	S	S	S
23	Motor Bracket	Plastic		1	0155-0092-0100	S	S	S
24	Screw	Stainless	3/8-16 x 3/4 Lg	4	0155-0017-1000	S	S	S
25	Washer	Stainless	3/8 ID x 5/8 OD	4	0155-0019-1000	S	S	S
26	Motor, TEFC, 3/4 HP, 1 Phase, 115/230V			1	0155-0016-1000	S	S	
27	Motor, TEFC, 3/4 HP, 3 Phase, 230/460V			1	0155-0022-1000	S	S	
28	Motor, TEFC, 1 HP, 1 Phase, 115/230V			1	0155-0173-1000	O	O	S
29	Motor, TEFC, 1 HP, 3 Phase, 230/460V			1	0155-0174-1000	O	O	S
W1	Wet End Kit (Items: 1, 2, 3, 6, 8, 9, 11, 19)			1	0155-0165-0100	S		
W2	Wet End Kit (Items: 1, 2, 4, 6, 8, 9, 14, 20)			1	0155-0166-0100		S	

NOTE: Contact Factory for other materials and/or parts not listed.

Legend: S = Standard, O = Optional

**MATERIALS IN CONTACT WITH SOLUTION:**

For TE-7R-MD: Polypropylene, Ryton, Viton, Ceramic, Ryton/Teflon/Carbon

For TE-7K-MD: Kynar/Carbon Filled, Viton, Ceramic, Carbon

For TE-7S-MD: 316 Stainless Steel, Viton, Ceramic, Carbon