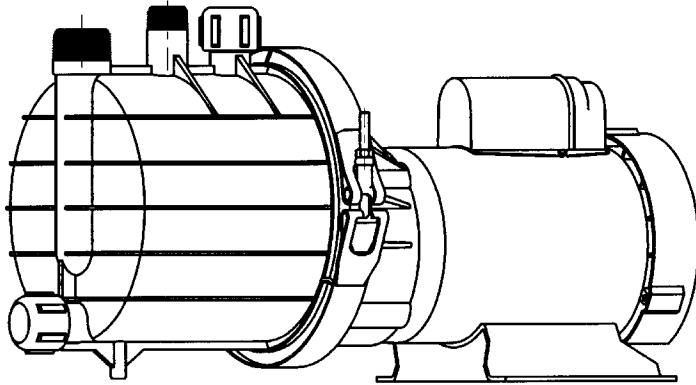




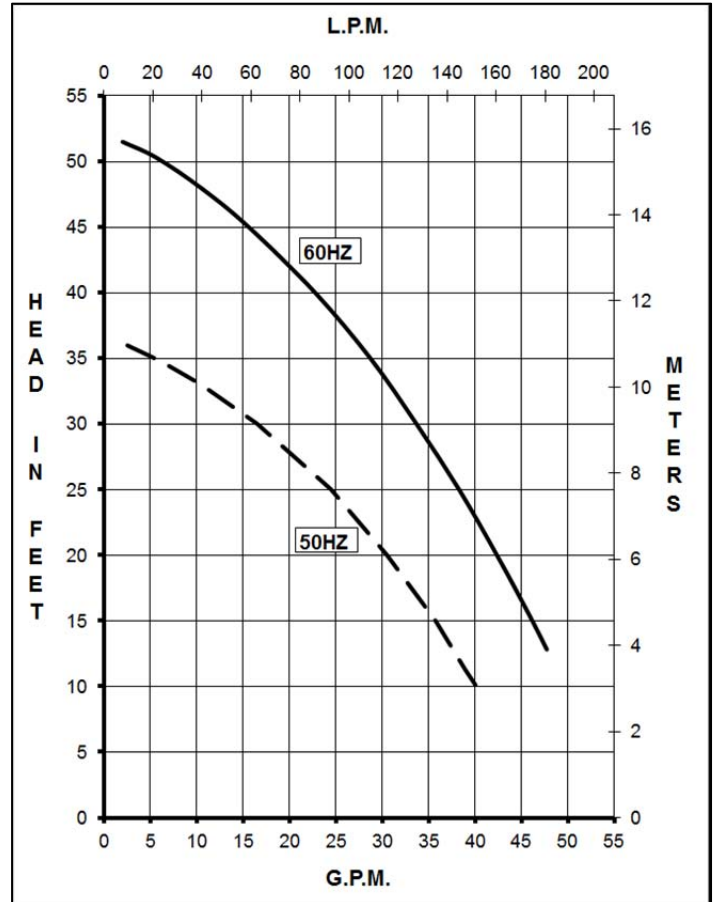
MARCH PUMPS

1819 PICKWICK AVE., GLENVIEW, IL 60026-1306, U.S.A.
 PHONE: (847) 729-5300 - FAX: (847) 729-7062
 WWW.MARCHPUMP.COM

SP-TE-7P-MD SP-TE-7K-MD



12 Feet Max Suction Lift
 (3.6 Meters)



MODEL ABBREVIATIONS:

SP = Self Priming
 K = Kynar, P = Polypropylene
 MD = Magnetic Drive
 TE = Totally Enclosed Fan Cooled Motor

DESCRIPTION:

SP-TE-7-MD series are centrifugal magnetic drive pumps eliminating the need for a shaft seal. These pumps can be serviced with an adjustable wrench. See the repair list for a breakdown of replacement parts.

OPERATION:

The housing container should be filled completely with liquid. The container holds approximately 1-3/4 gallons. After the container is full and the filler cap has been screwed tight, check all the connections for any leakage. Start the motor and continue to check for any leakage. The pump has the ability to pull up water a distance of 12 feet from the surface of your supply tank to the pump within one minute. If the unit does not self-prime, then check for leakage or for obstructions. These pumps **cannot be run dry** because the impeller requires the liquid being pumped for lubrication. The direction of the motor rotation should be counterclockwise when facing the motor end of the pump. A trimmed impeller may be necessary when pumping a liquid with a specific gravity or viscosity greater than water as well in cases of high liquid temperature. For application assistance, contact March Pump.

ELECTRICAL:

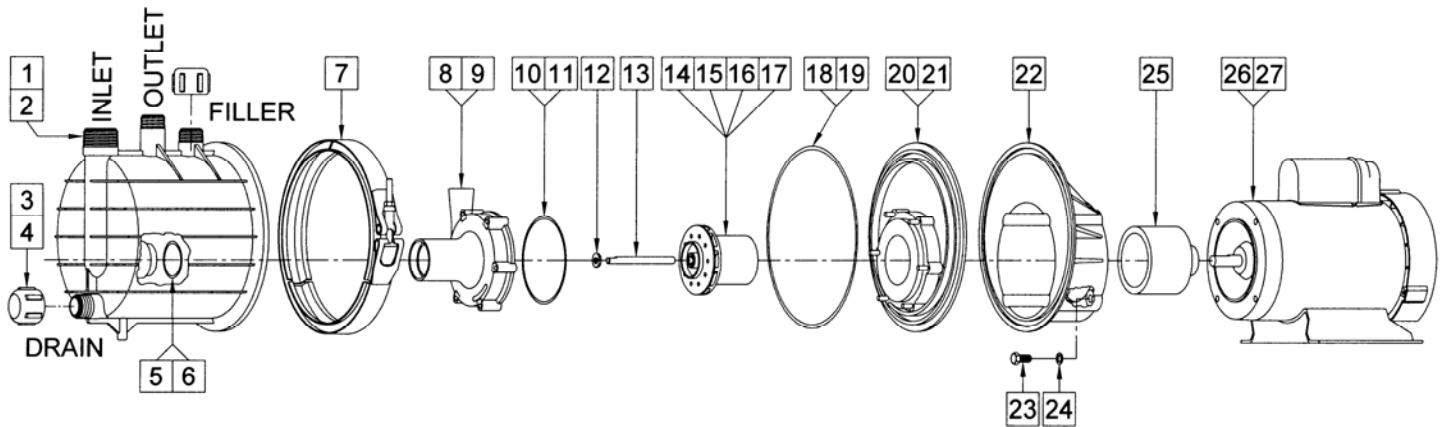
Models are 115/230V, 1 phase or 230/460V, 3 phase, TEFC. Motors are U.L. listed and rated for continuous duty. The motor frame is an 182TCZ frame with an extended rigid base.

DISASSEMBLY & REASSEMBLY:

Drain all the liquid from the unit and flush with water. Examine the exploded view of the pump construction before starting to disassemble to become familiar with the unit. Loosen the hex nut on the "V" retainer clamp. Slide off the clamp. The housing container can now be removed. The front housing can now be pulled forward and removed. The impeller will slide off the shaft. Clean all the parts as necessary and replace any worn or damaged parts. Reassemble as shown in the exploded view. Make sure the "O" rings and thrust washer are in the proper position.

SPECIFICATIONS			SP-TE-7P-MD SP-TE-7K-MD
Max Flow	50Hz	lpm	180
	60Hz	gpm	53
Max Head	50Hz	m	11
	60Hz	ft (psi)	52 (22.5)
Inlet			1-1/2" MPT
Outlet			1" MPT
Max Internal Pressure	psi		40
	bar		2.7
Max Liquid Temperature	°F		180
	°C		82
Motor Type			TEFC 1 Phase
50Hz	110V	Watts - Amps	670 - 12.4
	220V	Watts - Amps	670 - 6.2
	Kw - Rpm		0.745 - 2850
60Hz	115V	Watts - Amps	1045 - 11.8
	230V	Watts - Amps	1045 - 5.9
	Hp - Rpm		1 - 3450
Electrical Connection			Conduit Box
Packed Weight			kg/lbs
			26/57
Motor Type			TEFC 3 Phase
50Hz	230V	Watts - Amps	636 - 3.0
	460V	Watts - Amps	636 - 1.5
	Kw - Rpm		0.745 - 2850
60Hz	230V	Watts - Amps	1022 - 3.0
	460V	Watts - Amps	1022 - 1.5
	Hp - Rpm		1 - 3450
Electrical Connection			Conduit Box
Packed Weight			kg/lbs
			23/50
Overall Pump Dimensions in Inches / cm	Height		12.53 / 31.8
	Width		11.21 / 28.4
	Length		24.12 / 61.2

When replacing impeller bushing in the field: The plastic bushing must be bored to size after they have been pressed into the impeller. Bore to 0.378/0.381 I.D. The carbon and ceramic bushings are to finished size and do not require boring. When attaching drive magnet to the motor shaft, position the face of the drive magnet 49/64 inch above the face of the motor bracket. When reassembling "V" retainer clamp, tighten down to 100-inch pounds.



REPAIR PARTS LIST

ITEM	DESCRIPTION	MATERIAL	SIZE (Inches)	QTY.	PART #	SP-TE-7P-MD	SP-TE-7K-MD
1	Housing Container	Polypropylene		1	0155-0177-1000	S	
2	Housing Container	Kynar		1	0155-0196-1000		S
3	Drain & Filler Cap	Polypropylene		2	0155-0182-1000	S	
4	Drain & Filler Cap	Kynar		2	0155-0197-1000		S
5	"O" Ring	Viton	1/8 CS x 2 OD	1	0155-0179-1000	S	S
6	"O" Ring	Viton/Teflon	1/8 CS x 2 OD	1	0155-0214-1000	O	O
7	V-Retainer Clamp	Stainless		1	0155-0183-1000	S	S
8	Front Housing	Polypropylene		1	0155-0175-1000	S	
9	Front Housing	Kynar		1	0155-0195-1000		S
10	"O" Ring	Viton	1/8 CS x 4-3/4 OD	1	0155-0180-1000	S	S
11	"O" Ring	Viton/Teflon	1/8 CS x 4-3/4 OD	1	0155-0215-1000	O	O
12	Thrust Washer	Ceramic		1	0155-0009-1000	S	S
13	Shaft	Ceramic		1	0155-0039-1000	S	S
14	Impeller w/Carbon Bushing	Polypropylene		1	0155-0159-0200	S	
15	Impeller w/Mica Teflon Bushing	Polypropylene		1	0155-0159-0400	O	
16	Impeller w/Carbon Bushing	Kynar		1	0155-0160-0200		S
17	Impeller w/Mica Teflon Bushing	Kynar		1	0155-0160-0400		O
18	"O" Ring	Viton	3/16 CS x 9-7/8 OD	1	0155-0181-1000	S	S
19	"O" Ring	Viton/Teflon	3/16 CS x 9-7/8 OD	1	0155-0216-1000	O	O
20	Rear Housing w/Thrust Washer	Polypropylene/Ceramic		1	0155-0176-0100	S	
21	Rear Housing w/Thrust Washer	Kynar/Ceramic		1	0155-0194-0100		S
22	Motor Bracket	Plastic		1	0155-0178-1000	S	S
23	Screw	Stainless	3/8-16 x 3/4 Lg	4	0155-0017-1000	S	S
24	Washer	Stainless	3/8 ID x 5/8 OD	4	0155-0019-1000	S	S
25	Drive Magnet			1	0155-0130-0200	S	S
26	Motor, TEFC, 1HP, 1 Phase, 115/208-230V			1	0155-0185-1000	S	S
27	Motor, TEFC, 1HP, 3 Phase, 208-230/460V*			1	0155-0186-1000	S	S

NOTE: Contact Factory for other materials and/or parts not listed.

*Not Shown

Legend: S = Standard, O = Optional

MATERIALS IN CONTACT WITH SOLUTION:

SP-TE-7P-MD: Glass reinforced Polypropylene, Viton, Ceramic, Carbon

SP-TE-7K-MD: Kynar/Carbon Filled, Viton, Ceramic, Carbon

NOTES:

All specifications & data are based on pumping water & are intended as a guideline only. Specifications may vary with different motors.

LIMITED WARRANTY:

March pumps are guaranteed only against defects in workmanship or materials for a period of one year from date of manufacture pumping water. For the complete warranty and to register online go to www.marchpump.com/warranty-registration