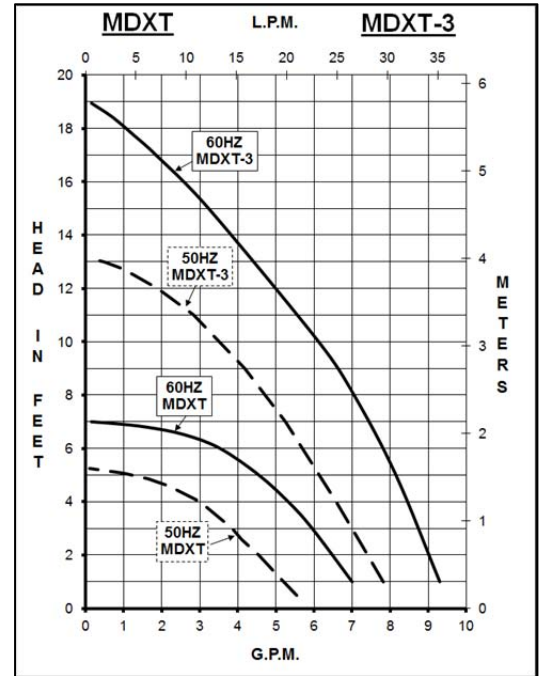
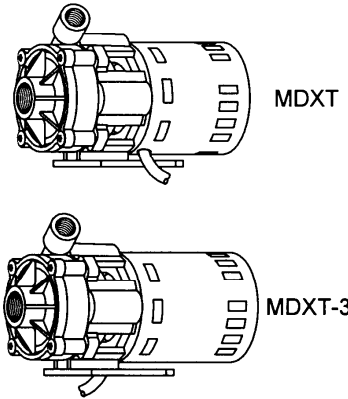
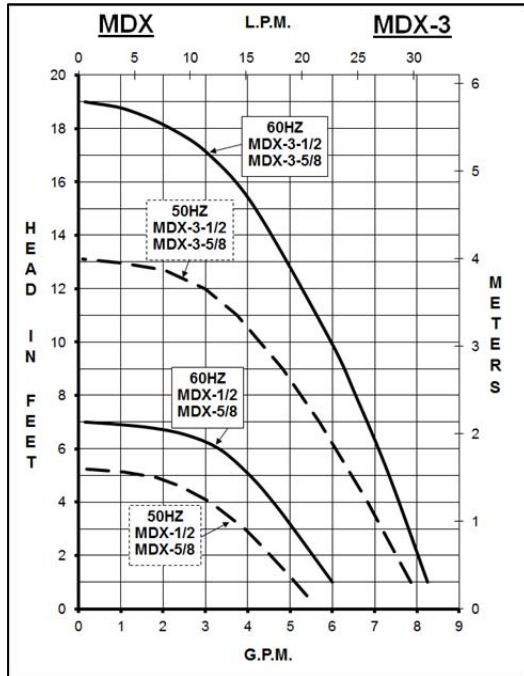
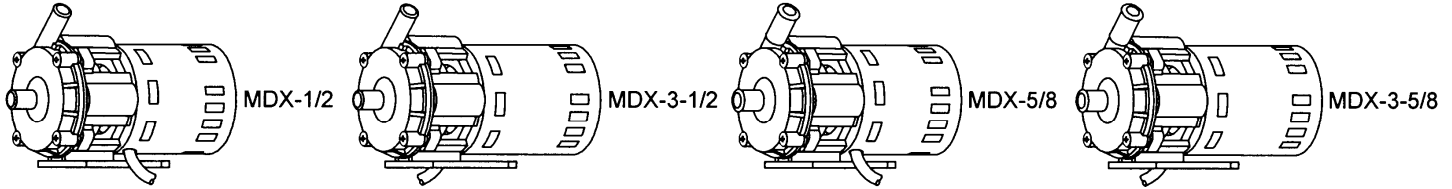




# MARCH PUMPS

1819 PICKWICK AVE., GLENVIEW, IL 60026-1306, U.S.A  
 PHONE: (847) 729-5300 - FAX: (847) 729-7062  
 WWW.MARCHPUMP.COM

**MDX-1/2, MDX-3 1/2**  
**MDX-5/8, MDX-3 5/8**  
**MDXT, MDXT-3**



**DESCRIPTION:** Series MDX are centrifugal magnetic drive pumps, eliminating the need for a shaft seal. These pumps can be serviced with a screwdriver. See the repair parts list for a breakdown of replacement parts.

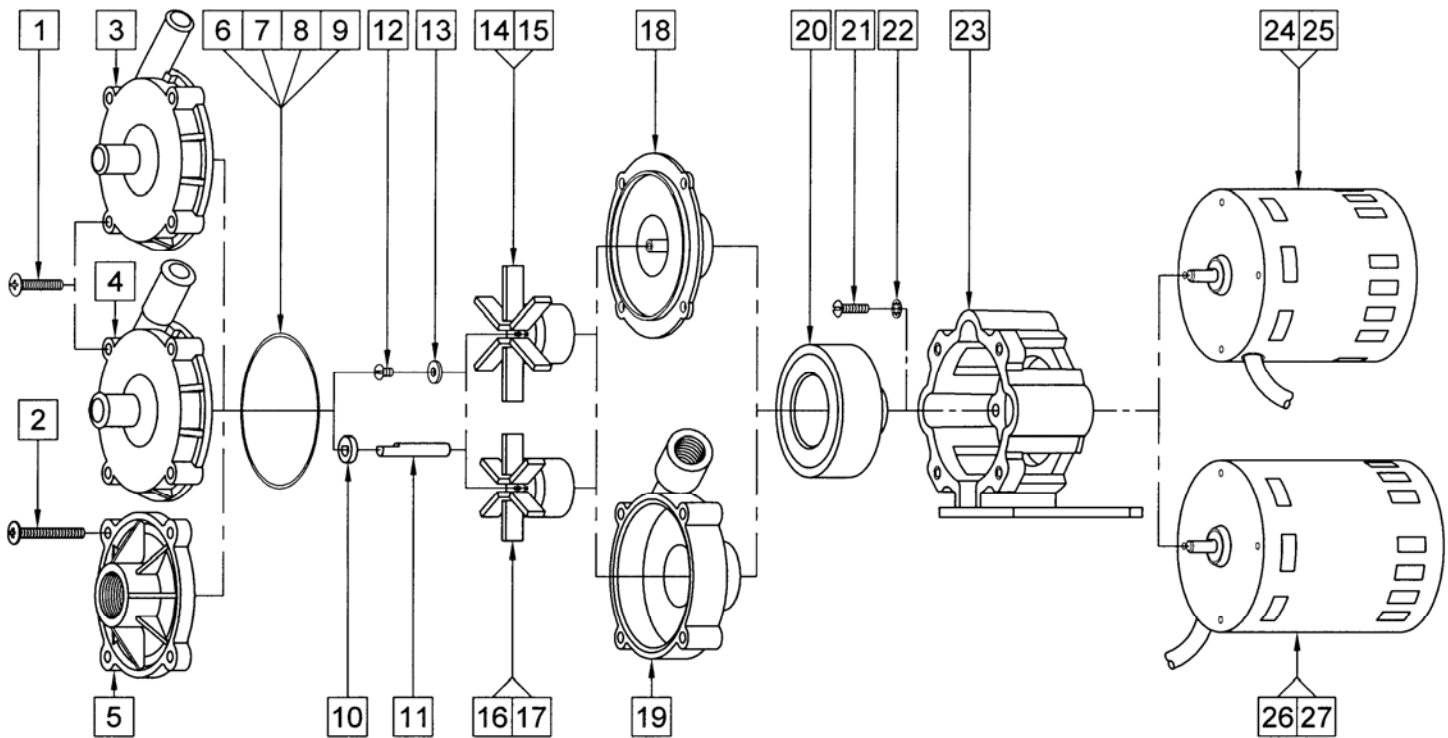
**OPERATION:** These pumps are not self-priming, lack a suction lift, and thus require a flooded suction. These pumps cannot be run dry because the impeller requires the liquid being pumped for lubrication. For application assistance, contact March Pump.

**ELECTRICAL:** Air cooled motors are available in different electrical configurations such as 115V 60Hz, 115V 50/60Hz, and 230V 50/60Hz, 1 phase. The motors are U.L. listed and rated as continuous duty.

**NOTES:** All specifications & data are based on pumping water & are intended as a guideline only. Specifications may vary with different motors.

**LIMITED WARRANTY:** March pumps are guaranteed only against defects in workmanship or materials for a period of one year from date of manufacture pumping water. For the complete warranty and to register online go to [www.marchpump.com/warranty-registration](http://www.marchpump.com/warranty-registration)

SPECIFICATIONS			MDX-1/2	MDX-5/8	MDX-3-1/2	MDX-3-5/8	MDXT	MDXT-3
Max Flow	50Hz	lpm	22		30		22	
	60Hz	gpm	6		8.5		7	
Max Head	50Hz	m	1.6		4		1.6	
	60Hz	ft (psi)	7 (3.0)		19 (8.2)		7 (3)	
Inlet			1/2" OD	5/8" OD	1/2" OD	5/8" OD	1/2" FPT	
Outlet			1/2" OD	5/8" OD	1/2" OD	5/8" OD	3/8" FPT	
Max Internal Pressure	psi		50		50		50	
	bar		3.4		3.4		3.4	
Max Liquid Temperature	°F		190		190		190	
	°C		87		87		87	
Packed Weight			2.5/5.5		3/6		2.5/5.5 3/6	
Motor Type			Air Cooled 1 Phase		Air Cooled 1 Phase		Air Cooled 1 Phase	
50Hz	115V	Watts - Amps			118 - 1.55		118 - 1.55	
		Kw - Rpm			0.029 - 2850		0.029 - 2850	
60Hz	115V	Watts - Amps	59 - 0.94		115 - 1.55		59 - 0.94 115 - 1.55	
		Hp - Rpm	1/55 - 1750		1/25 - 3450		1/55 - 1750 1/24 - 3450	
Electrical Connection			3 ft (0.9 m) Cord		3 ft (0.9 m) Cord		3 ft (0.9 m) Cord	
Overall Pump Dimensions in			4.94 / 12.5 4.97 / 12.6		4.94 / 12.5 4.97 / 12.6		4.86 / 12.3	
Inches / cm			3.88 / 9.8		3.88 / 9.8		3.88 / 9.8	
Length			7.09 / 18.0		7.69 / 19.5		7.14 / 18.1 7.75 / 19.6	
Motor Type			Air Cooled 1 Phase		Air Cooled 1 Phase		Air Cooled 1 Phase	
50Hz	230V	Watts - Amps	64 - 0.5		120 - 0.7		64 - 0.5 120 - 0.7	
		Kw - Rpm	0.018 - 1300		0.029 - 2850		0.018 - 1300 0.029 - 2850	
60Hz	230V	Watts - Amps	59 - 0.45		114 - 0.7		59 - 0.45 114 - 0.7	
		Hp - Rpm	1/40 - 1750		1/25 - 3450		1/40 - 1750 1/25 - 3450	
Electrical Connection			3 ft (0.9 m) Cord		3 ft (0.9 m) Cord		3 ft (0.9 m) Cord	
Overall Pump Dimensions in			4.94 / 12.5 4.97 / 12.6		4.94 / 12.5 4.97 / 12.6		4.86 / 12.3	
Inches / cm			3.88 / 9.8		3.88 / 9.8		3.88 / 9.8	
Length			7.34 / 18.6		8.11 / 20.5		7.39 / 18.7 8.17 / 20.7	



### REPAIR PARTS LIST

ITEM	DESCRIPTION	MATERIAL	SIZE (Inches)	QTY	PART #	MDX-1/2	MDX-5/8	MDX-3-1/2	MDX-3-5/8	MDXT	MDXT-3
1	Screw	Stainless Steel	#10-32 x 1 Lg.	4	0135-0180-1000	S	S	S	S		
2	Screw	Stainless Steel	#10-32 x 1-1/2 Lg.	4	0823-0008-1000					S	S
3	Front Housing	Polypropylene	1/2 O.D. Inlet & Outlet	1	0135-0118-1000	S	O	S	O		
4	Front Housing	Polypropylene	5/8 O.D. Inlet & Outlet	1	0135-0117-1000	O	S	O	S		
5	Cover	Polypropylene	1/2 FPT Inlet	1	0135-0172-1000					S	S
6	"O" Ring	Buna N	1/16 CS x 3 OD	1	0135-0007-1000	S	S	S	S		
7	"O" Ring	Viton	1/16 CS x 3 OD	1	0135-0023-1000	O	O	O	O		
8	"O" Ring	Buna N	1/16 CS x 2-7/8 OD	1	0135-0039-1000					S	S
9	"O" Ring	Viton	1/16 CS x 2-7/8 OD	1	0135-0046-1000					O	O
10	Thrust Washer	Ceramic		1	0130-0028-1000					S	S
11	Shaft	Ceramic		1	0809-0160-1000					S	S
12	Screw	Stainless Steel	#8-32 x 1/4 Lg.	1	0135-0042-1000			S	S		
13	Thrust Washer	Ryton/Teflon/Carbon		1	0802-0057-1000			S	S		
14	Impeller	Polypropylene/Ceramic Magnet	2.625 Dia.	1	0135-0026-0100	S	S			S	
15	Impeller Encapsulated	Polypropylene	2.625 Dia.	1	0135-0133-0200	O	O			O	
16	Impeller	Polypropylene/Ceramic Magnet	2.062 Dia.	1	0135-0043-0100			S	S		S
17	Impeller Encapsulated	Polypropylene	2.062 Dia.	1	0135-0130-0200			O	O		O
18	Rear Housing	Kynar/Carbon Filled		1	0802-0043-1000	S	S	S	S		
19	Rear Housing	Polypropylene	3/8 FPT Outlet	1	0135-0171-1000					S	S
20	Drive Magnet			1	0135-0126-0100	S	S	S	S	S	S
21	Screw	Stainless Steel	#8-32 x 5/8 Lg.	4	0618-0027-1000	S	S	S	S	S	S
22	Lock Washer	Stainless Steel	#8	4	0620-0010-1000	S	S	S	S	S	S
23	Motor Bracket	Plastic		1	0135-0168-0100	S	S	S	S	S	S
24	Motor, 1750 RPM, 115V, 60Hz			1	0135-0109-1000	S	S			S	
25	Motor, 1750 RPM, 230V, 50/60Hz			1	0135-0112-1000	S	S			S	
26	Motor, 3450 RPM, 115V, 50/60Hz			1	0135-0036-1000			S	S		S
27	Motor, 3450 RPM, 230V, 50/60Hz			1	0135-0037-1000			S	S		S

NOTE: Contact Factory for other materials and/or parts not listed.

Legend: S = Standard, O = Optional

#### NOTE:

When attaching the Drive Magnet (Item 20) to the motor shaft, position the face of the Drive Magnet 1/16 inch below the face of the Motor Bracket (Item 23).

#### MATERIALS IN CONTACT WITH SOLUTION:

MDX: Polypropylene, Kynar/Carbon Filled, Buna N, Ceramic Magnet

MDX-3: Polypropylene, Kynar/Carbon Filled, Ryton/Teflon/Carbon, Stainless Steel, Buna N, Ceramic Magnet

MDXT: Polypropylene, Ceramic, Buna N, Ceramic Magnet

MDXT-3: Polypropylene, Ceramic, Buna N, Ceramic Magnet