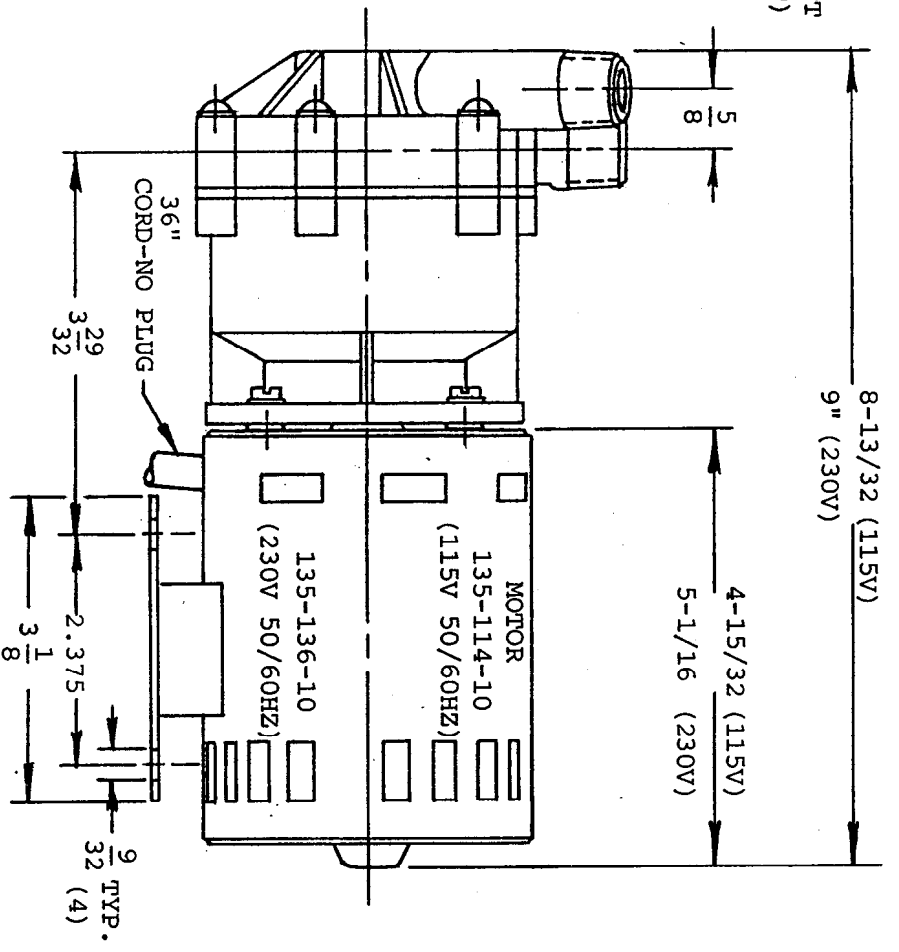
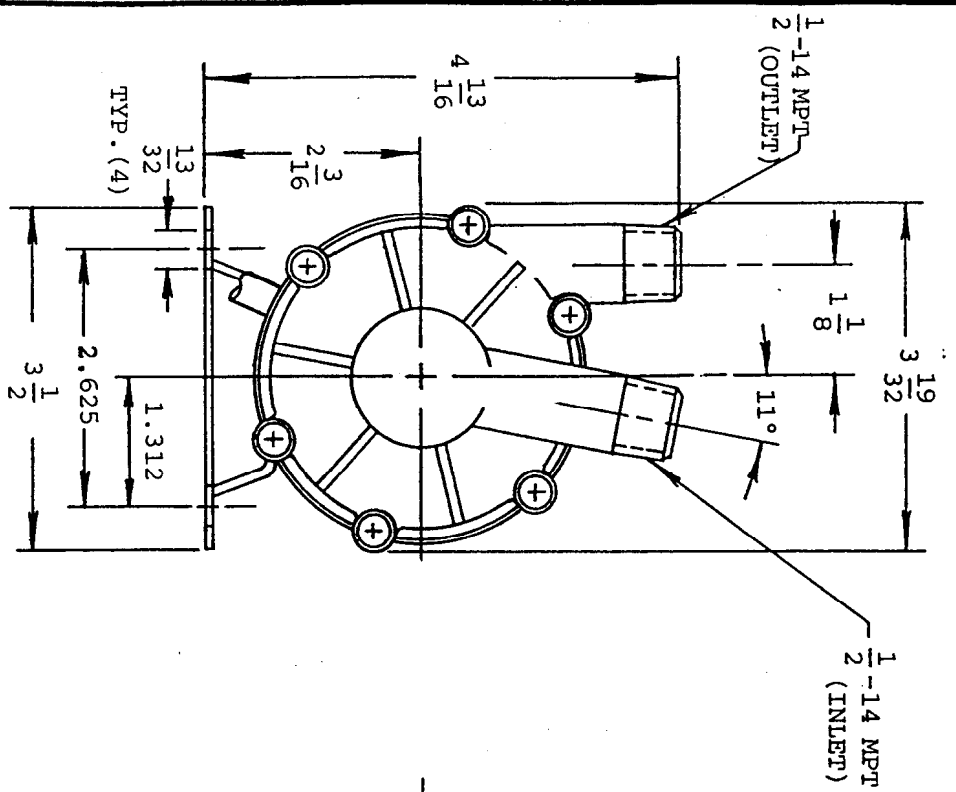


REBRAWNY
6-30-93 JT



ASSEMBLY No. MODEL

- 135-036-01 MDX-MT3 (RYTON) 115V
- 135-036-04 MDK-MT3 (KYNAR) 115V
- 135-037-01 MDX-MT3 (RYTON) 230V
- 135-036-05 MDK-MT3 (KYNAR) 230V

THIS DOCUMENT DISCLOSES SUBJECT MATTER IN WHICH MARCH MFG. INC. HAS PROPRIETARY RIGHTS, NEITHER RECEIPT NOR POSSESSION THEREOF CONFERES ON TRANSFER ANY RIGHT TO REPRODUCE OR DISCLOSE THE DOCUMENT, ANY PART THEREOF, ANY INFORMATION CONTAINED THEREIN, OR ANY PHYSICAL ARTICLE OR DEVICE OR TO PRACTICE ANY METHOD OR PROCESS, EXCEPT BY WRITTEN PERMISSION FROM OR WRITTEN AGREEMENT WITH MARCH MFG. INC.

MARCH MFG. INC.
1819 PICKWICK AVE.
GLENVIEW, IL

PART NAME PUMP ASSEMBLY
MOTOR: FASCO
MDX-MT3 (RYTON)
MDK-MT3 (KYNAR)

HEAT TRMT. SCALE 1/2"=1" QTY. 1
FINISH DRAWN JT/HZ 6-30-93

UNLESS OTHERWISE NOTED TOLERANCE ON FRACTIONS ± TOLERANCE ON DECIMALS ±
CHECKED APPROVED

PART NUMBER 135 SERIES

QTY. USED ON ASSEM.