



MARCH PUMPS

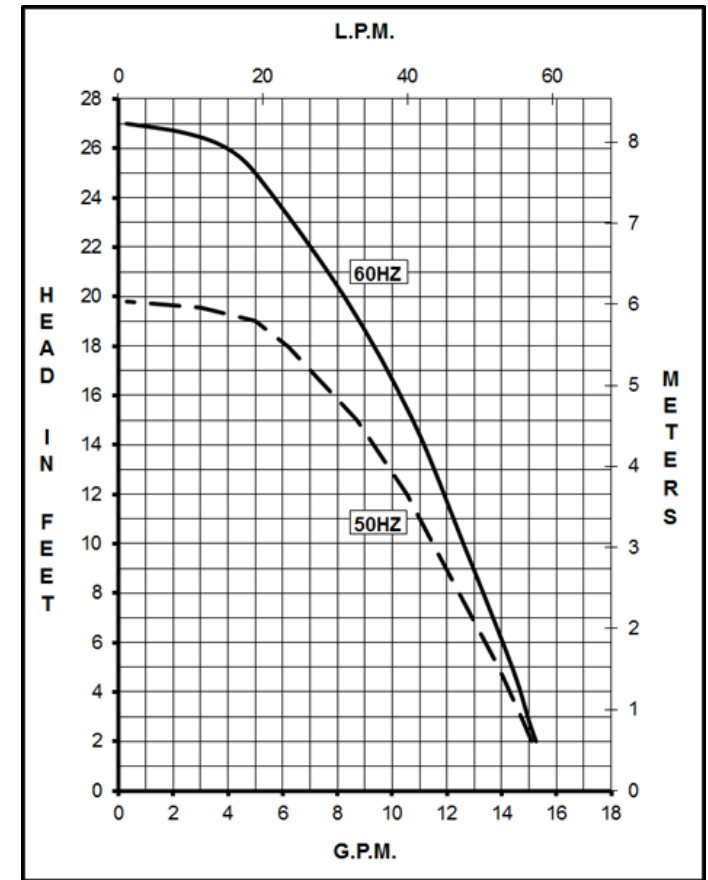
1819 PICKWICK AVE., GLENVIEW, IL 60026-1306, U.S.A
 PHONE: (847) 729-5300 - FAX: (847) 729-7062
 WWW.MARCHPUMP.COM

DESCRIPTION: Series 5 are centrifugal magnetic drive pumps, eliminating the need for a shaft seal. All are serviceable with a screwdriver. The "LC" model is hermetically encapsulated allowing the pump to run fully submerged or in open air for complete moisture protection. The pump is rated IP67.

OPERATION: Pumps are not self-priming, lack a suction lift, and thus require a **flooded suction**. Pumps **cannot be run dry** because the impeller requires the liquid being pumped for lubrication. For liquids with a specific gravity greater than water, have a higher viscosity, or for elevated temperatures, a trimmed impeller may be necessary. For application assistance, contact March Pump.

ELECTRICAL: Motors are available in different electrical configurations such as 115 Volt 50/60 Hz, or 230 Volt 50/60 Hz, 1 phase. 115 Volt motors have a 6 ft. (1.8 m) cord with plug. 230 Volt motors have a 6 ft. (1.8 m) cord with no plug. The motors are U.L. listed and rated as continuous duty. The pump is ignition protected per SAE 1171 and ISO 8846.

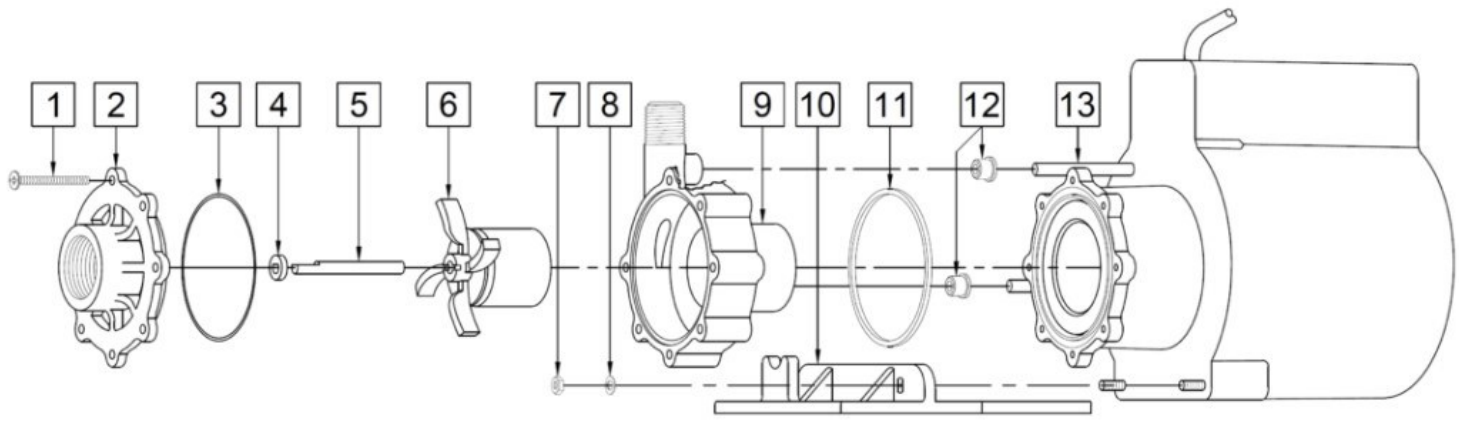
LC-5M-MD



Specifications		LC-5M-MD
Product	115V	0150-0249-0100
	230V	0150-0250-0100
Inlet-Outlet		1" FPT-1/2" MPT
Max Internal Pressure		25 psi (172kPa)
Max Liquid Temperature		130F (54C)

Model	60Hz												50Hz											
	Max Flow		Max Head			Electrical							Max Flow		Max Head			Electrical						
	GPM	LPM	FT	PSI	M	Ph	V	A	HP	kW	RPM	GPM	LPM	Feet	PSI	M	Ph	V	A	HP	kW	RPM		
LC-5M-MD	14.5	54.9	27	11.7	8.2	1	115 or 230	1.6 or 0.9	1/8	0.093	3450	14.5	54.9	27	11.7	8.2	1	115 or 230	1.2 or 0.5	1/8	0.093	2850		

All specifications & data are based on pumping water & are intended as a guideline only. Specifications may vary with different motors.



LC-5M-MD

Item	Part Number	QTY REQ	Description
1	0150-0021-1000	7	#8-32 x 1-3/4 Lg Screw (Stainless)
2	0150-0248-1000	1	Cover with 1" FPT Inlet (Noryl)
3	0750-0987-1000	1	0.078 CS x 2.834 ID O-Ring (Buna N)
4	0130-0028-1000	1	Thrust Washer (Ceramic)
5	0130-0176-1000	1	3 Flat Shaft (316 Stainless Steel)
6	0150-0030-0700	1	Impeller with Carbon Bushing and Ceramic Magnet (Polypropylene, Carbon, Ceramic Magnet)
7	0802-0008-1000	2	#10-32 Nut (Stainless)
8	0802-0006-1000	2	#10 Lock Washer (Stainless)
9	0150-0153-0200	1	Rear Housing With Ceramic Thrust Washer and Plug (Polypropylene and Ceramic)
10	0150-0155-1000	1	Mounting Base
11	0150-0020-1000	1	Quad "O" Ring for Bracket
12	0125-0007-1000	2	Cooling Tube Seal (Buna N)
13	N/A	1	Epoxy Motor Assembly

Materials in contact with the solution :

LC-5M-MD: Polypropylene, Noryl, Buna N, Stainless Steel, Ceramic, Carbon, Ceramic Magnet. When Submerged: Epoxy, Noryl, and Cord.

LIMITED WARRANTY: March pumps are guaranteed only against defects in workmanship or materials for a period of one year from date of manufacture pumping water. For the complete warranty and to register online go to www.marchpump.com/warranty-registration

NOTE: Contact Factory for other materials and/or parts not listed.

Special voltage motors are available upon special order.

For the General Installation Manual, see this link <https://www.marchpump.com/wp-content/uploads/2019/07/march-pump-general-installation-guide-0750-040.pdf> Or Scan QR Code



0150-0261-1000