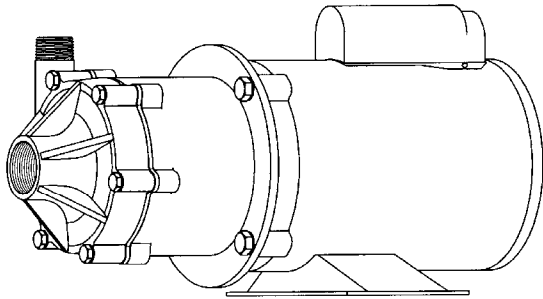




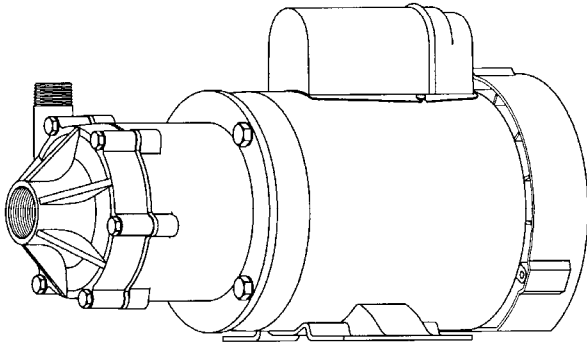
MARCH PUMPS

1819 PICKWICK AVE., GLENVIEW, IL 60026-1306, U.S.A
 PHONE: (847) 729-5300 - FAX: (847) 729-7062
 WWW.MARCHPUMP.COM

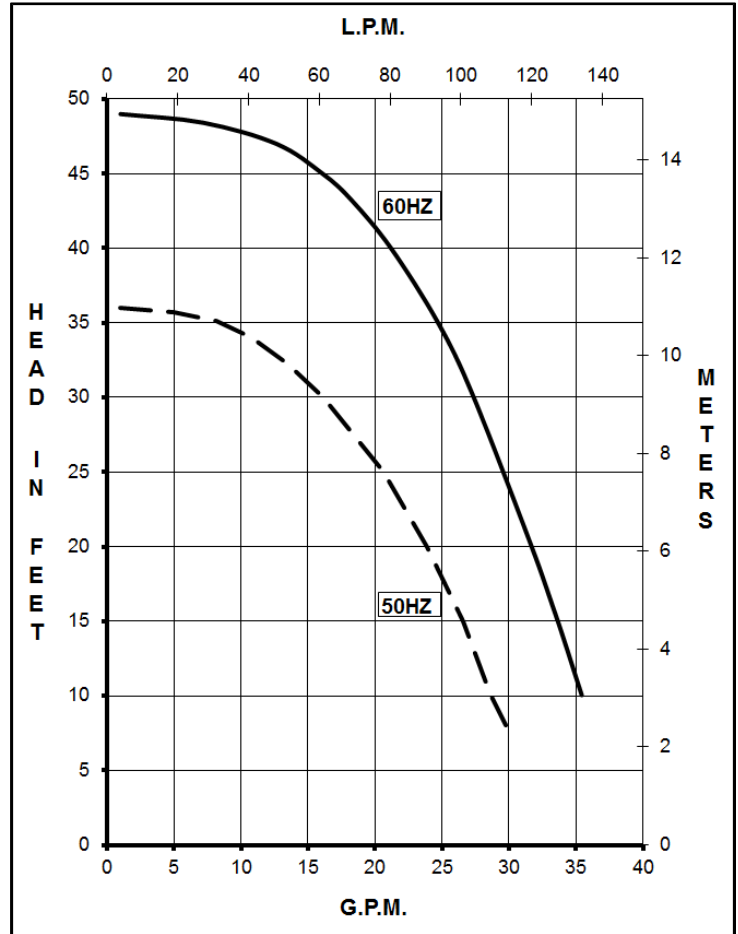
DP-6T-MD, TE-6K-MD DP-6K-MD, TE-6T-MD



DP-6T-MD, DP-6K-MD



TE-6T-MD, TE-6K-MD



MODEL ABBREVIATIONS:

DP = Drip Proof Motor
 TE = Totally Enclosed Fan Cooled Motor
 T = Ryton & Polypropylene
 K = Kynar
 MD = Magnetic Drive

DESCRIPTION:

Series 6 are centrifugal magnetic drive pumps, eliminating the need for a shaft seal. These pumps can be serviced with an adjustable wrench. See the repair parts list for a breakdown of replacement parts.

OPERATION:

These pumps are not self-priming, lack a suction lift, and thus require a **flooded suction**. These pumps **cannot be run dry** because the impeller requires the liquid being pumped for lubrication. The direction of motor rotation should be clockwise when facing the inlet of the pump. For liquids with a specific gravity greater than water, have a higher viscosity, or for elevated temperatures, a trimmed impeller may be necessary. For application assistance, contact March Pump.

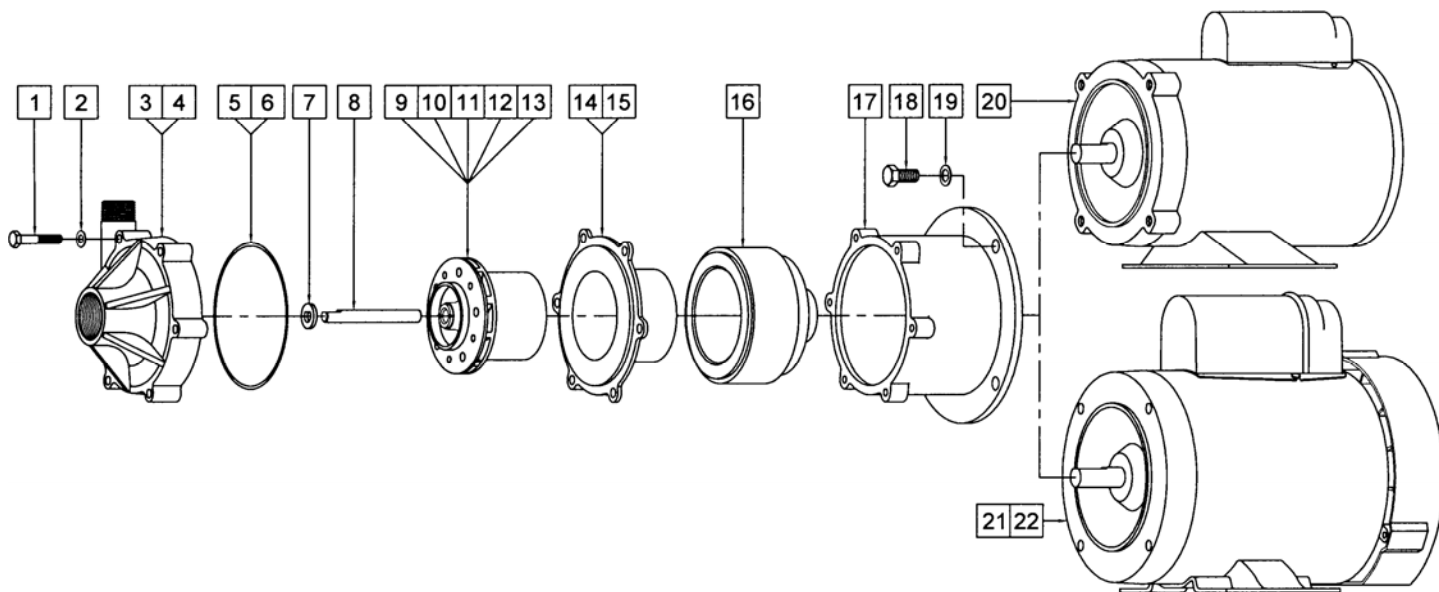
ELECTRICAL:

DP-6-MD pumps are 115/230V, 1 phase, drip proof. TE-6-MD pumps are 115/230V, 1 phase or 230/460V, 3 phase, TEFC. Motors are U.L. listed and rated for continuous duty. Explosion proof and special voltage motors are available upon special order.

NOTES:

All specifications & data are based on pumping water & are intended as a guideline only. Specifications may vary with different motors.

SPECIFICATIONS			DP-6T-MD	DP-6K-MD	TE-6T-MD	TE-6K-MD
Max Flow	50Hz	lpm	113.5		113.5	
	60Hz	gpm	38		38	
Max Head	50Hz	m	11		11	
	60Hz	ft (psi)	49 (21.2)		49 (21.2)	
Inlet			1" FPT		1" FPT	
Outlet			3/4" MPT		3/4" MPT	
Max Internal Pressure	psi		50	75	50	75
	bar		3.4	5	3.4	5
Max Liquid Temperature	°F		190	200	190	200
	°C		87	93	87	93
Motor Type			Drip Proof 1 Phase		TEFC 1 Phase	
50Hz	115V	Watts - Amps			555 - 8.4	
	230V	Watts - Amps			555 - 4.2	
	Kw - Rpm				0.279 - 2850	
60Hz	115V	Watts - Amps	790 - 7.4		795 - 7.4	
	230V	Watts - Amps	790 - 3.7		795 - 3.7	
	Hp - Rpm		1/2 - 3450		1/2 - 3450	
Electrical Connection			Junction Box		Conduit Box	
Overall Pump Dimensions in Inches / cm	Height		7.79 / 19.7		8.94 / 22.7	
	Width		6.54 / 16.6		8.96 / 22.7	
	Length		15.14 / 38.4		15.78 / 40.0	
Packed Weight	kg/lbs		11.5/25.5		15.5/34.5	
Motor Type					TEFC 3 Phase	
50Hz	230V	Watts - Amps			480 - 1.7	
	460V	Watts - Amps			480 - 0.8	
	Kw - Rpm				0.372 - 2850	
60Hz	230V	Watts - Amps			700 - 1.5	
	460V	Watts - Amps			700 - 0.7	
	Hp - Rpm				1/2 - 3450	
Electrical Connection					Conduit Box	
Overall Pump Dimensions in Inches / cm	Height		7.34 / 18.6		8.96 / 22.7	
	Width				8.96 / 22.7	
	Length				15.28 / 38.8	
Packed Weight	kg/lbs				15/33	



NOTE: When replacing impeller bushings in the field, the plastic bushings must be bored to size after they have been pressed into the impeller. Bore to 0.379/0.381 inches I.D. The carbon and ceramic bushings are to finished size and do not require boring after assembly.

When attaching the Drive Magnet (item 16) to the motor shaft, position the face of the Drive Magnet 3/32 inch below the face of the Motor Bracket (item 17).

REPAIR PARTS LIST

ITEM	DESCRIPTION	MATERIAL	SIZE (Inches)	QTY	PART #	DP-6T-MD	DP-6K-MD	TE-6T-MD	TE-6K-MD
1	Screw	Stainless	1/4-20 x 1-3/4 Lg	6	0153-0064-1000	S	S	S	S
2	Washer	Stainless	1/4 ID x 1/2 OD	6	0155-0021-1000	S	S	S	S
3	Front Housing	Ryton		1	0153-0002-1000	S		S	
4	Front Housing	Kynar		1	0153-0042-1000		S		S
5	"O" Ring	Viton	3/32 CS x 4-7/16 OD	1	0153-0015-1000	S	S	S	S
6	"O" Ring	Viton/Teflon	3/32 CS x 4-7/16 OD	1	0153-0024-1000	O	O	O	O
7	Thrust Washer	Ceramic		1	0155-0009-1000	S	S	S	S
8	Shaft	Ceramic		1	0153-0007-1000	S	S	S	S
9	Impeller w/Ryton/Teflon/Carbon Bushing	Polypropylene		1	0153-0003-0400	S		S	
10	Impeller w/Carbon Bushing	Polypropylene		1	0153-0003-0500	O		O	
11	Impeller w/Mica Teflon Bushing	Polypropylene		1	0153-0003-0900	O		O	
12	Impeller w/Carbon Bushing	Kynar		1	0153-0043-0500		S		S
13	Impeller w/Mica Teflon Bushing	Kynar		1	0153-0043-0900		O		O
14	Rear Housing w/Thrust Washer	Ryton/Ceramic		1	0153-0005-0100	S		S	
15	Rear Housing w/Thrust Washer	Kynar/Ceramic		1	0153-0041-0100		S		S
16	Drive Magnet			1	0153-0035-0100	S	S	S	S
17	Motor Bracket	Plastic		1	0153-0001-0100	S	S	S	S
18	Screw	Stainless	3/8-16 x 3/4 Lg	4	0155-0017-1000	S	S	S	S
19	Washer	Stainless	3/8 ID x 5/8 OD	4	0155-0019-1000	S	S	S	S
20	Motor, Drip Proof, 115/230V, 60Hz, 1 Phase			1	0153-0027-1000	S	S		
21	Motor, TEFC, 115/230V, 50/60Hz, 1 Phase			1	0153-0019-1000			S	S
22	Motor, TEFC, 230/460V, 50/60Hz, 3 Phase (Not Shown)			1	0153-0020-1000			S	S
W1	Wet End Kit (Items: 1, 2, 3, 5, 7, 8, 9, 14)			1	0153-0056-0100	S		S	
W2	Wet End Kit (Items: 1, 2, 4, 5, 7, 8, 12, 15)			1	0153-0057-0100		S		S

NOTE: Contact Factory for other materials and/or parts not listed.

Legend: S = Standard, O = Optional

MATERIALS IN CONTACT WITH SOLUTION:

For DP-6T-MD: Polypropylene, Ryton, Viton, Ceramic, Ryton/Teflon/Carbon

For DP-6K-MD: Kynar/Carbon Filled, Viton, Ceramic, Carbon

For TE-6T-MD: Polypropylene, Ryton, Viton, Ceramic, Ryton/Teflon/Carbon

For TE-6K-MD: Kynar/Carbon Filled, Viton, Ceramic, Carbon

LIMITED WARRANTY:

March pumps are guaranteed only against defects in workmanship or materials for a period of one year from date of manufacture pumping water. For the complete warranty and to register online go to www.marchpump.com/warranty-registration