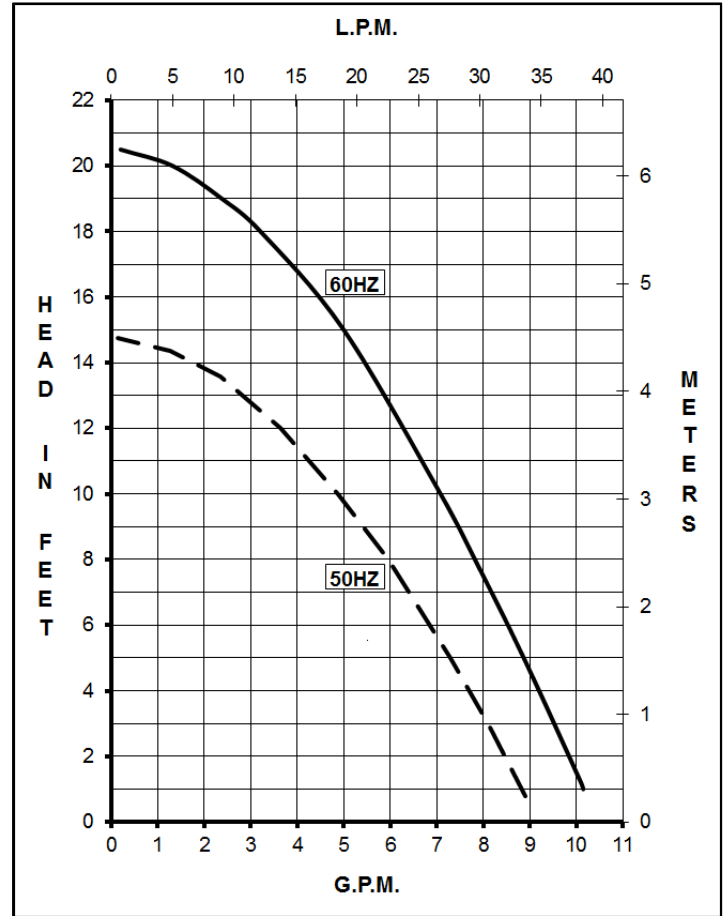
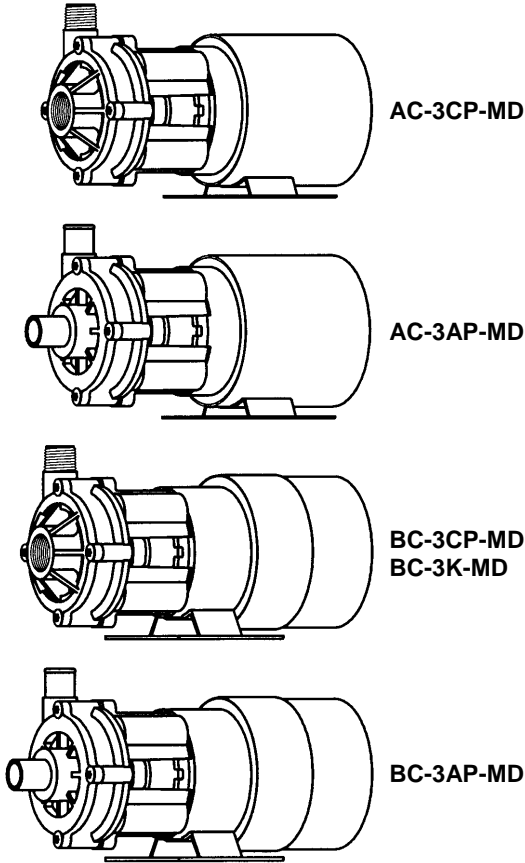




MARCH PUMPS

1819 PICKWICK AVE., GLENVIEW, IL 60026-1306, U.S.A
 PHONE: (847) 729-5300 - FAX: (847) 729-7062
 WWW.MARCHPUMP.COM

AC-3CP-MD, AC-3AP-MD
BC-3CP-MD, BC-3AP-MD
BC-3K-MD



MODEL ABBREVIATIONS:

AC = Air Cooled Motor, BC = Blast Cooled Motor
 C = Threaded Inlet/Outlet, A = Smooth Inlet/Outlet
 K = Kynar, MD = Magnetic Drive

DESCRIPTION: Series 3 are centrifugal magnetic drive pumps, eliminating the need for a shaft seal. These pumps can be serviced with a screwdriver. See the repair parts list for a breakdown of replacement parts.

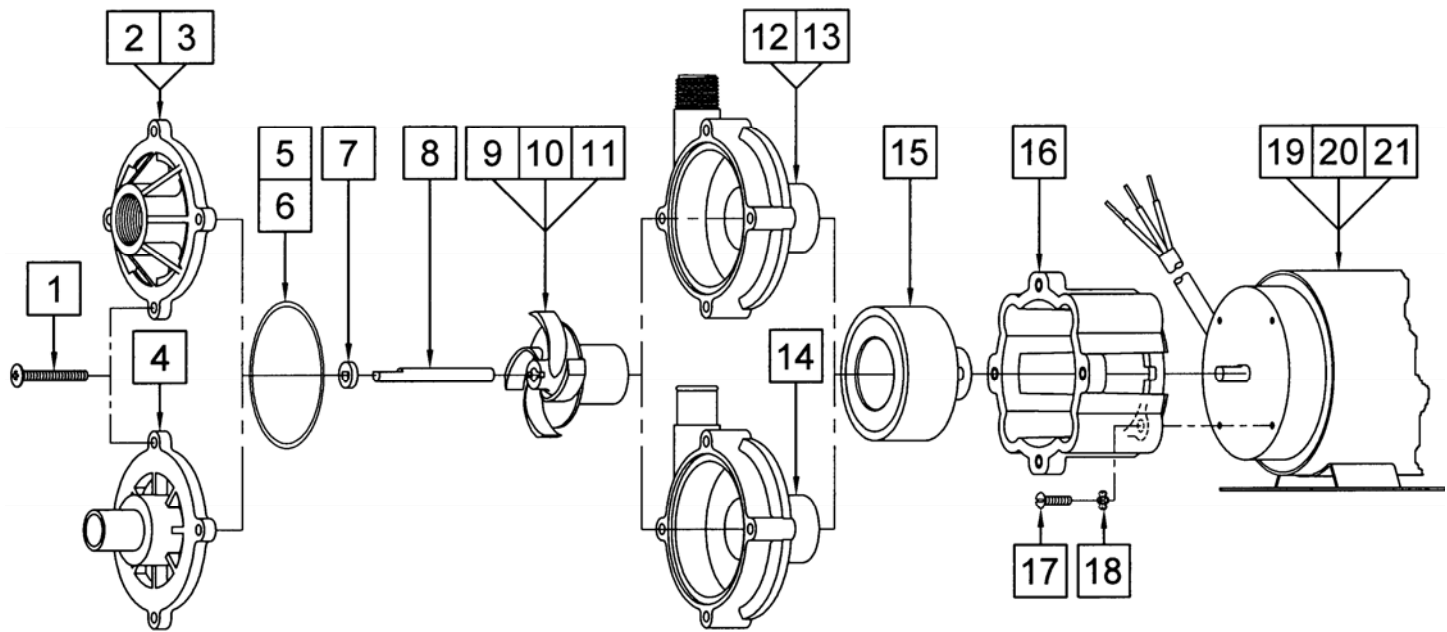
OPERATION: These pumps are not self-priming, lack a suction lift, and thus require a **flooded suction**. These pumps **cannot be run dry** because the impeller requires the liquid being pumped for lubrication. For liquids with a specific gravity greater than water, have a higher viscosity, or for elevated temperatures, a trimmed impeller may be necessary. For application assistance, contact March Pump.

ELECTRICAL: Motors are available in different electrical configurations such as 115V 60Hz, 115V 50/60Hz, or 230V 50/60Hz, 1 phase. The AC-3-MD motor is open air cooled. The BC-3-MD motor is blast cooled. The motors are U.L. listed and rated as continuous duty.

NOTES: All specifications & data are based on pumping water & are intended as a guideline only. Specifications may vary with different motors.

LIMITED WARRANTY: March pumps are guaranteed only against defects in workmanship or materials for a period of one year from date of manufacture pumping water. For the complete warranty and to register online go to www.marchpump.com/warranty-registration

SPECIFICATIONS			AC-3CP-MD	AC-3AP-MD	BC-3CP-MD	BC-3AP-MD	BC-3K-MD
Max Flow	50Hz	lpm	33		33		
	60Hz	gpm	10		10		
Max Head	50Hz	m	4.5		4.5		
	60Hz	ft (psi)	20.5 (8.9)		20.5 (8.9)		
Inlet			3/4" FPT	3/4" OD	3/4" FPT	3/4" OD	3/4" FPT
Outlet			1/2" MPT	3/4" OD	1/2" MPT	3/4" OD	1/2" MPT
Max Internal Pressure	psi		50		50		75
	bar		3.4		3.4		5
Max Liquid Temperature	°F		190		190		200
	°C		87		87		93
Packed Weight	kg/lbs		3.1/7		3.8/8		
Motor Type			Air Cooled 1 Phase		Blast Cooled 1 Phase		
50Hz	115V	Watts - Amps			143 - 1.8		
		Kw - Rpm			0.049 - 2850		
60Hz	115V	Watts - Amps	150 - 2.3		134 - 2.1		
		Hp - Rpm	1/15 - 3450		1/15 - 3450		
Electrical Connection			3 ft (0.9 m) Cord		6 ft (1.8 m) Cord		
Overall Pump Dimensions in Inches / cm	Height		5 / 12.7		5 - 12.7		
	Width		3.91 / 9.9		4 / 10.1	3.81 / 9.6	4 / 10.1
	Length		8.12 / 20.6	8.90 / 22.6	8.77 / 22.2	9.55 / 24.2	8.77 / 22.2
Motor Type			Air Cooled 1 Phase		Blast Cooled 1 Phase		
50Hz	230V	Watts - Amps	141 - 1.0		141 - 1.0		
		Kw - Rpm	0.049 - 2850		0.049 - 2850		
60Hz	230V	Watts - Amps	134 - 0.9		134 - 0.9		
		Hp - Rpm	1/15 - 3450		1/15 - 3450		
Electrical Connection			6 ft (1.8 m) Cord		6 ft (1.8 m) Cord		
Overall Pump Dimensions in Inches / cm	Height		5 / 12.7		5 / 12.7		
	Width		4 / 10.1		4 / 10.1	3.81 / 9.6	4 / 10.1
	Length		8.77 / 22.2	9.55 / 24.2	8.77 / 22.2	9.55 / 24.2	8.77 / 22.2



NOTE: When attaching the Drive Magnet (item 15) to the motor shaft, position the face of the Drive Magnet 3/32 inch below the face of the Motor Bracket (item 16).

REPAIR PARTS LIST

ITEM	DESCRIPTION	MATERIAL	SIZE (Inches)	QTY	PART #	AC-3		BC-3		
						CP-MD	AP-MD	CP-MD	AP-MD	K-MD
1	Screw	Stainless Steel	#10-32 x 1-1/2 Lg	4	0823-0008-1000	S	S	S	S	S
2	Cover	Polypropylene	3/4 FPT Inlet	1	0130-0021-1000	S	O	S	O	
3	Cover	Kynar	3/4 FPT Inlet	1	0130-0111-1000					S
4	Cover	Polypropylene	3/4 OD Inlet	1	0130-0064-1000	O	S	O	S	
5	"O" Ring	Buna N	3/32 CS x 2-13/16 OD	1	0130-0011-1000	S	S	O	O	O
6	"O" Ring	Viton	3/32 CS x 2-13/16 OD	1	0130-0033-1000	O	O	S	S	S
7	Thrust Washer	Ceramic		1	0130-0028-1000	S	S	S	S	S
8	Shaft	Ceramic		1	0130-0024-1000	S	S	S	S	S
9	Impeller	Polypropylene/Ceramic Mag.		1	0130-0020-0100	S	S	O	O	
10	Encapsulated Impeller	Polypropylene		1	0130-0069-0200	O	O	S	S	
11	Encapsulated Impeller	Kynar		1	0130-0112-0200					S
12	Rear Housing	Polypropylene	1/2 MPT Outlet	1	0130-0018-1000	S	O	S	O	
13	Rear Housing	Kynar	1/2 MPT Outlet	1	0130-0110-1000					S
14	Rear Housing	Polypropylene	3/4 OD Outlet	1	0130-0102-1000	O	S	O	S	
15	Drive Magnet			1	0130-0043-0200	S	S	S	S	S
16	Motor Bracket	Plastic		1	0130-0066-0100	S	S	S	S	S
17	Screw	Stainless Steel	#8-32 x 5/8 Lg	4	0618-0027-1000	S	S	S	S	S
18	Lock Washer	Steel	#8	4	0140-0014-1000	S	S	S	S	S
19	AC Motor, 115V, 60Hz			1	0130-0022-1000	S	S	O	O	O
20	BC Motor, 115V, 50/60Hz			1	0130-0140-1000	O	O	S	S	S
21	AC or BC Motor, 230V, 50/60Hz			1	0130-0049-1000	S	S	S	S	S

NOTE: Contact Factory for other materials and/or parts not listed.

Legend: S = Standard, O = Optional

MATERIALS IN CONTACT WITH SOLUTION:

AC-3CP/3AP-MD: Polypropylene, Buna N, Ceramic, Ceramic Magnet

BC-3CP/3AP-MD: Polypropylene, Viton, Ceramic

BC-3K-MD: Kynar/Carbon Filled, Viton, Ceramic