

Little GIANT[®]

Pump Company

TE-6-MD-HC



Features

- Thermally Protected, Totally Enclosed, Fan Cooled, Split Phase Motor
- Ball Bearings
- Conduit Box (Must be field wired)
- Specific Gravity to 1.1
- Fluid Temperature to 180 Degrees F.
- Ambient Air Temperature to 77 Degrees F.
- NOTE: Consult your local distributor or the factory for applications with higher ambient temperatures, specific gravities and viscosities.

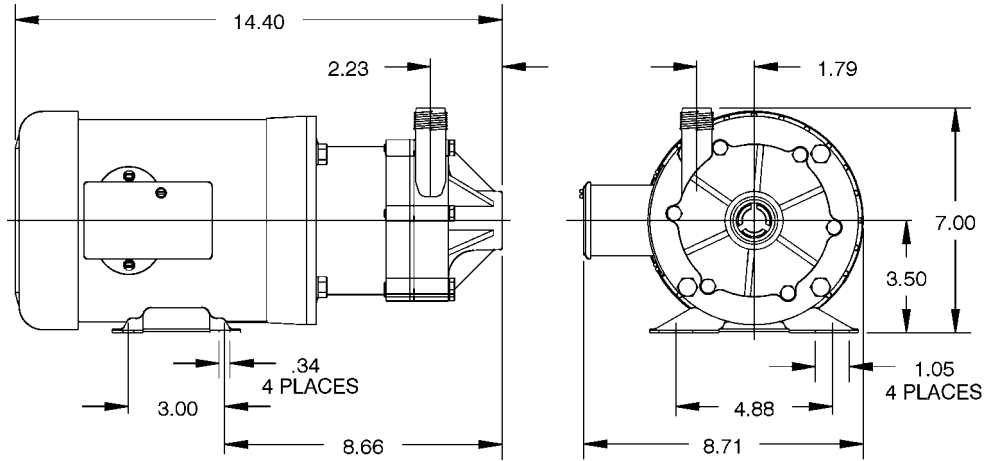
Construction

- Volute — Glass-filled Ryton[®]
- Backplate — Glass-filled Ryton[®]
- Impeller — Glass-filled Ryton[®] with Carbon Bushing
- Shaft — Ceramic
- Thrust Washers — Ceramic
- O-Ring — Viton[®]

The Little Giant MD-HC series features leakproof, seal-less magnetic drives and are designed for in-line, non submersible use. Volute, magnet housing and impeller are glass-filled Ryton[®] for excellent chemical resistance. Ceramic shaft and thrust washers are 99.5% pure alumina for excellent wear and trouble-free service. Pumping heads are easily rotated, cleaned or serviced with no special tools required. Spindle shaft is supported at both ends to prevent impeller damage during start-up and stop of pump.

Little Giant Pump Co.

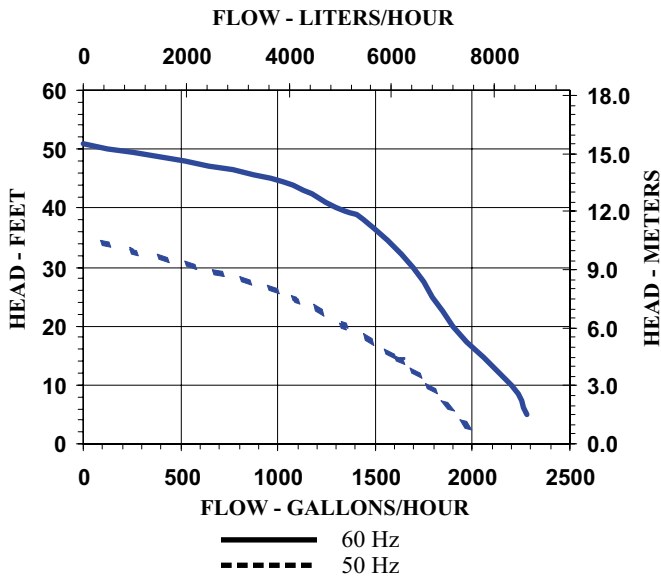
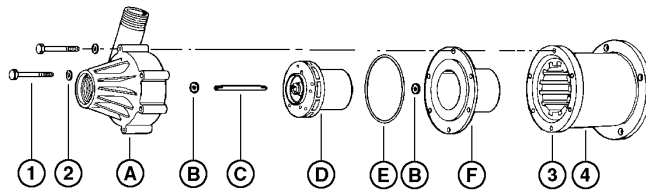
TE-6-MD-HC



NOTE: Designs and dimensions may vary for various reasons (i.e. type of motor). This information should be used as general guide rather than an unqualified guarantee. Specifications are subject to change without prior notice.

Specifications

Model No.	Item No.	Intake	Discharge	Listing(s)	HP	Volts	Hertz	Amps	Watts	Performance (GPH @ Head)					Shut Off Feet	PSI	Pwr. Cord (ft)	Weight (Lbs.)
										5'	10'	20'	30'	40'				
TE-6-MD-HC	586604	1" FNPT	3/4" MNPT	UR/C-CSA	1/2	115	50/60	11.6/9.4	640/835	2280	2200	1900	1700	1300	51	22.1	N/A	29.00
TE-6-MD-HC	586650	1" FNPT	3/4" MNPT	UR/C-CSA	1/2	230	50/60	5.8/4.7	640/835	2280	2200	1900	1700	1300	51	22.1	N/A	34.00
		3 Phase				460	50/60	1.8/1.8	400									
TE-6-MD-HC	586698	1" FNPT	3/4" MNPT															6.20



Replacement Parts

ITEM	PART NO.	DESCRIPTION
A	185114	Volute
B	187085	Thrust Washer
C	185100	Shaft
D	185158	Impeller
E	924016	O-Ring
F	185181	Backplate
1	903712	Bolt
2	921050	Washer
3	185172	Drive Magnet
4	185162	Mtg. Bracket

Note: Parts A-F Contact Fluid.

Little Giant Pump Co.
 PO Box 12010
 Okla. City, OK 73157
 Phone: 405.947.2511
 Fax: 405.228.1550
www.LittleGiantPump.com