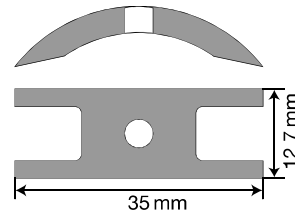
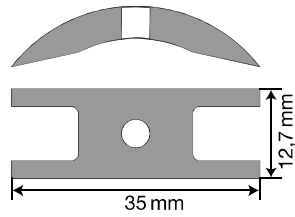


Cams

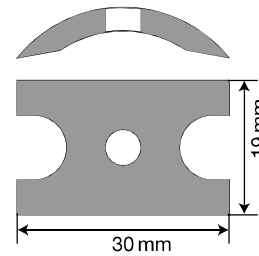
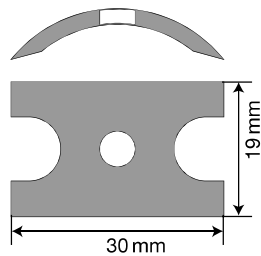
F3



Cam article number 01-43140 (1/1)
Screw article number 0.0279.500 (05-04-162)
Washer article number 01-46790-01 (05-01-120)

Cam article number 01-45548 (1/1)
Screw article number 0.0279.500 (05-04-162)
Washer article number 01-46790-01 (05-01-120)

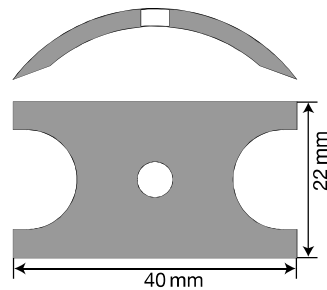
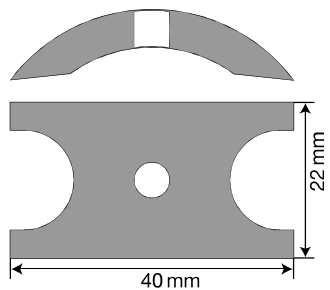
F35



Cam article number 01-42415 (1/2)
replaces Jabsco 29303-01
Screw article number 01-46794-10 (05-04-553)
replaces Jabsco SP1002-01
Washer article number 01-46790-01 (05-01-120)

Cam article number 01-42910 (1/1)
replaces Jabsco 29303
Screw article number 01-46794-07 (05-04-114)
replaces Jabsco SP1002-09
Washer article number 01-46790-01 (05-01-120)

F4

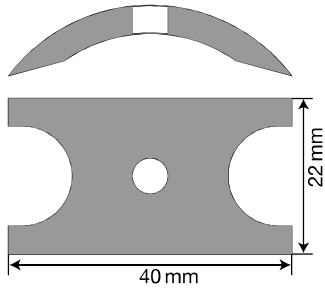


Cam article number 01-42389 (1/1)
replaces Jabsco 10818
Screw article number 01-46794-04 (05-04-115)
replaces Jabsco SP1002-02
Washer article number 01-46790-01 (05-01-120)

Cam article number 01-45084 (1/2)
replaces Jabsco 2441
Screw article number 0.0279.501 (05-04-163)
Washer article number 01-46790-01 (05-01-120)

Spare parts

F4



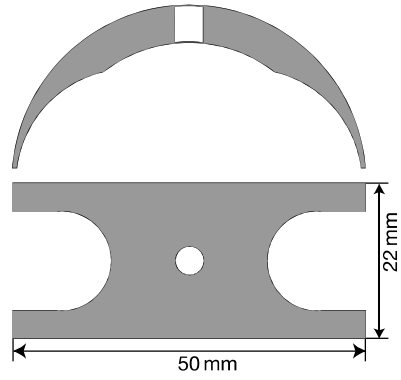
Cam article number 01-45288 (2/3)

replaces Jabsco 2907-0001

Screw article number 01-46794-03 (05-04-114)

replaces Jabsco SP1002-09

Washer article number 01-46790-01 (05-01-120)

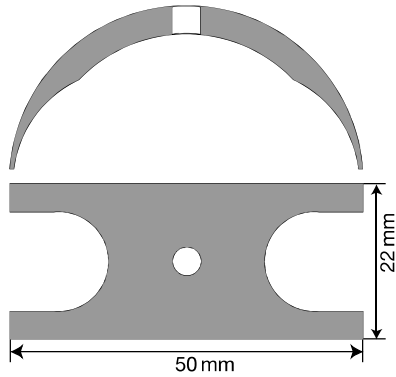


Cam article number 01-45660 (1/1)

Screw article number 0.0279.501 (05-04-163)

Washer article number 01-46790-01 (05-01-120)

F4

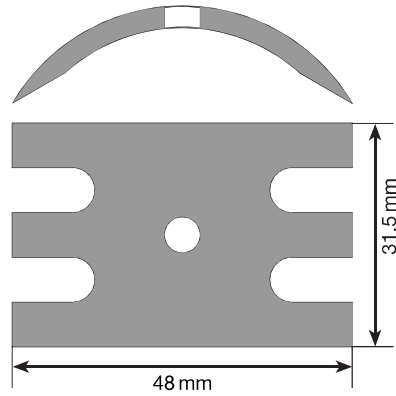


Cam article number 01-45661 (2/3)

Screw article number 0.0279.501 (05-04-163)

Washer article number 01-46790-01 (05-01-120)

F5



Cam article number 01-45014 (2/3) M5

replaces Jabsco 10338

Screw article number 0.0279.032 (05-04-175)

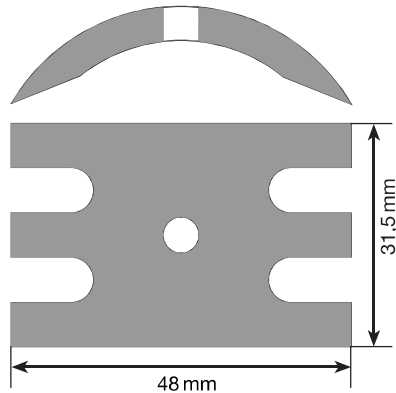
replaces Jabsco SP1003-09

Cam article number 01-45976 (2/3) Nr 10-32 UNF

Screw article number 01-46794-05

Spare parts

F5

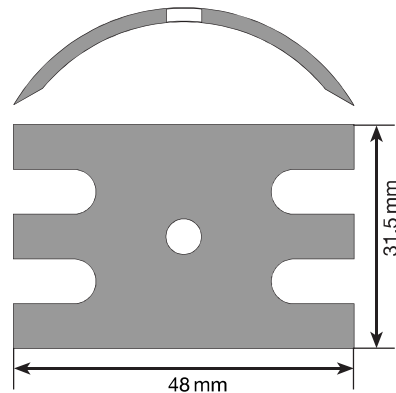


Cam article number 01-42397 (1/1)

replaces Jabsco 490

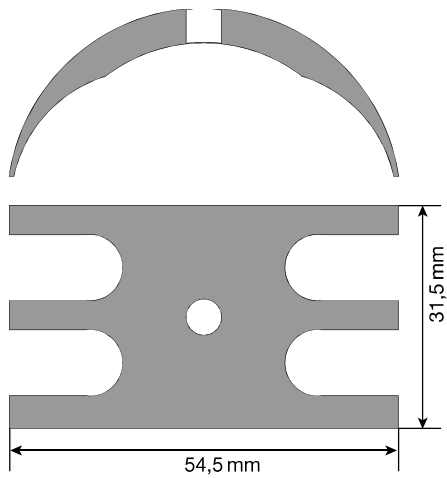
Screw article number 01-46794-05 (05-04-117)

replaces Jabsco SP1003-09

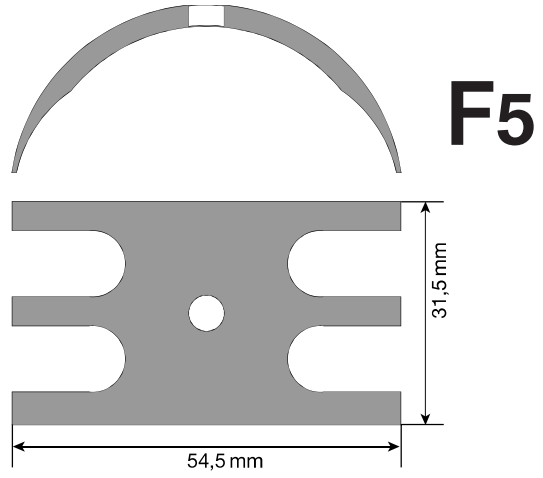


Cam article number 01-45199

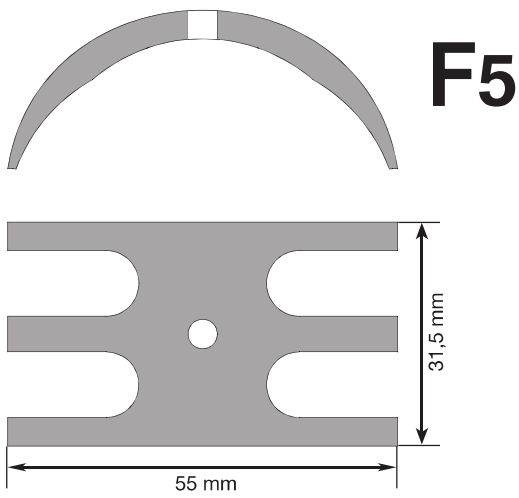
Screw article number 0.0279.032 (05-04-175)



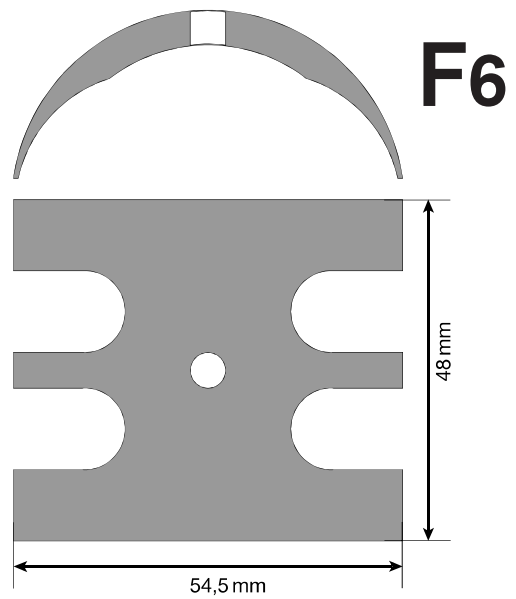
Cam article number 01-45329 (1/1)
Screw article number 0.0279.033 (05-04-174)



Cam article number 01-45656 (1/2)
Screw article number 0.0279.032 (05-04-175)



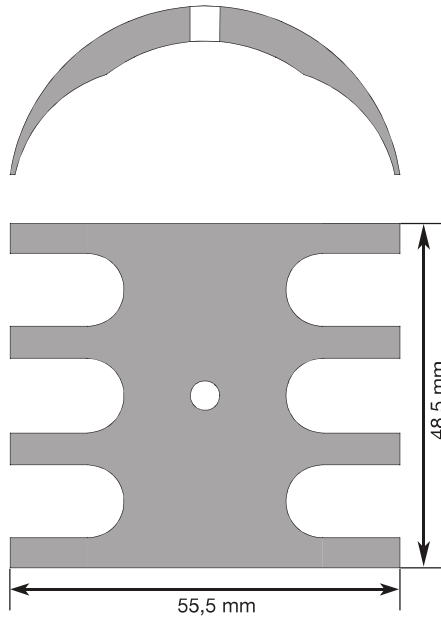
Cam article number 01-46706
Screw article number 0.0141.052



Cam article number 01-45670 (1/1)
Screw article number 0.0279.033 (05-04-174)

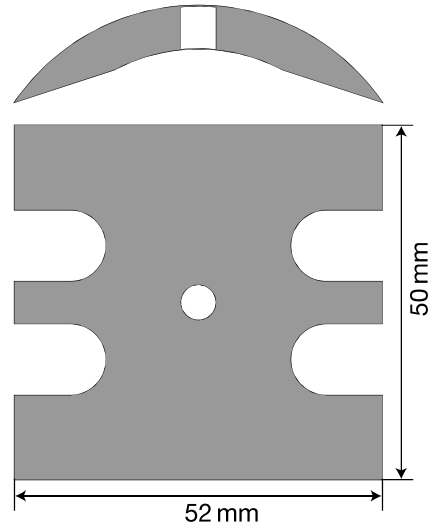
Spare parts

F6



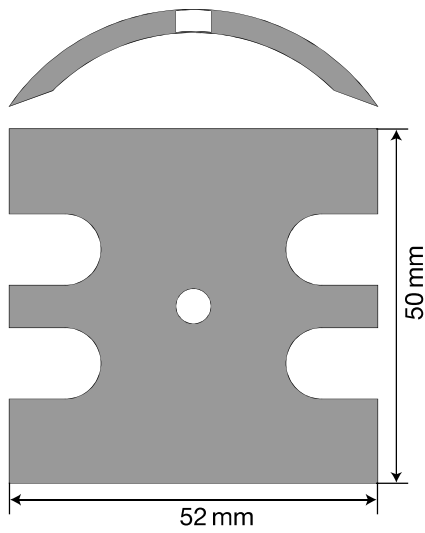
Cam article number 01-46502 (1/1)
Screw article number 0.0279.033

F7

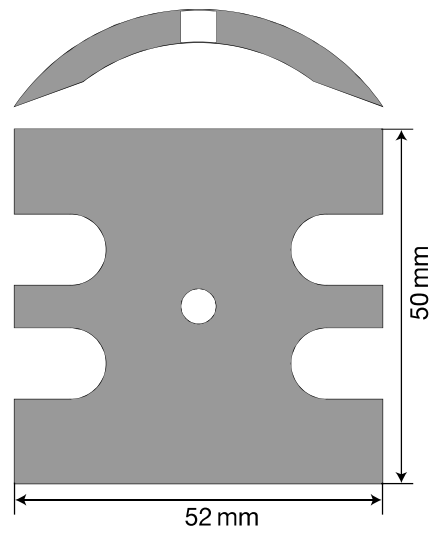


Cam article number 01-42679 (1/1)
replaces Jabsco 934
Screw article number 01-46794-01 (05-04-107)

F7



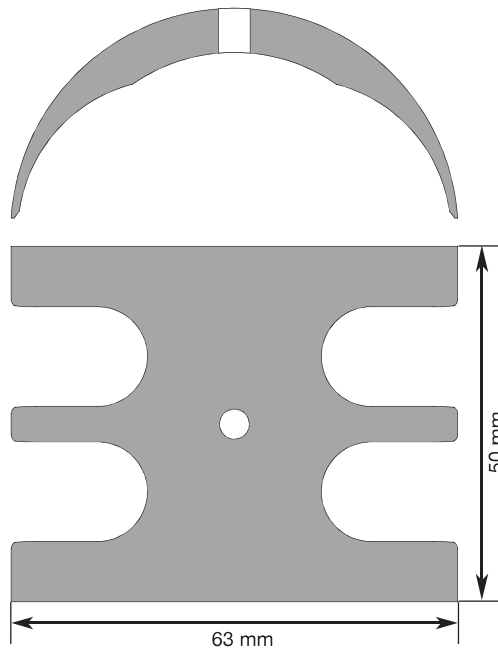
Cam article number 01-42584 (1/2)
replaces Jabsco 2431
Screw article number 01-46794-06 (05-04-125)



Cam article number 01-42442 (2/3)
replaces Jabsco 3255
Screw article number 01-46794-07 (05-04-144)
replaces Jabsco SP1004-11

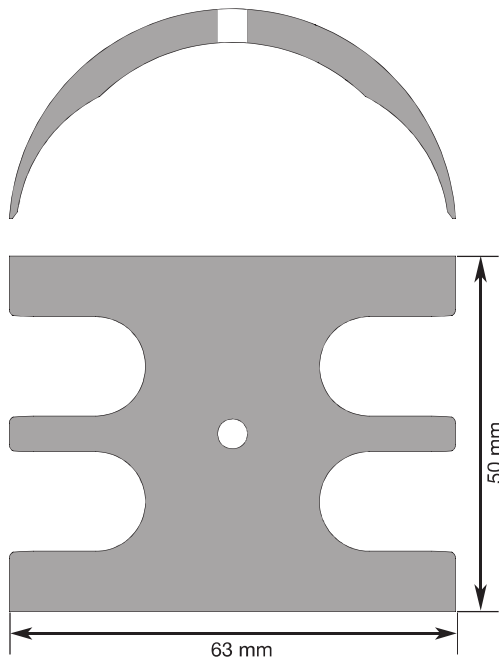
Spare parts

F7



Cam article number 01-46899 (1/1)
Screw article number 0.0279.035

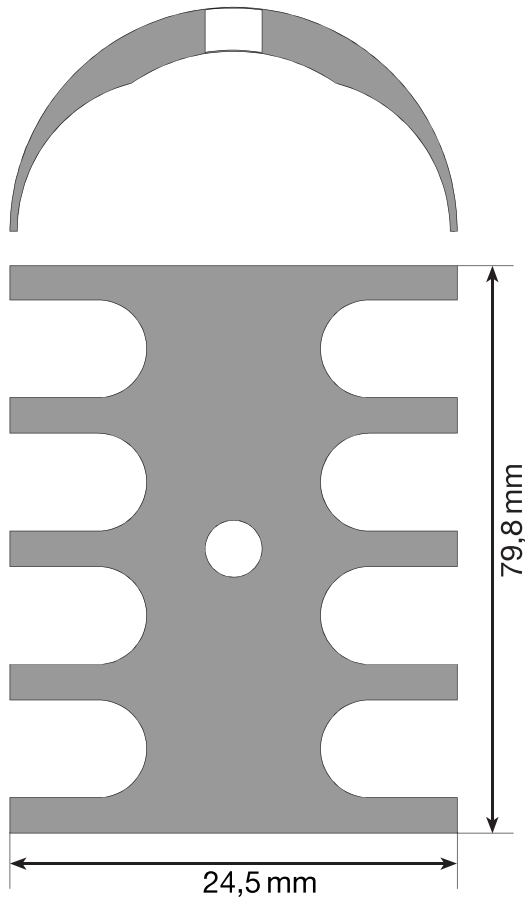
F7



Cam article number 01-46899-1 (2/3)
Screw article number 0.0279.033

Spare parts

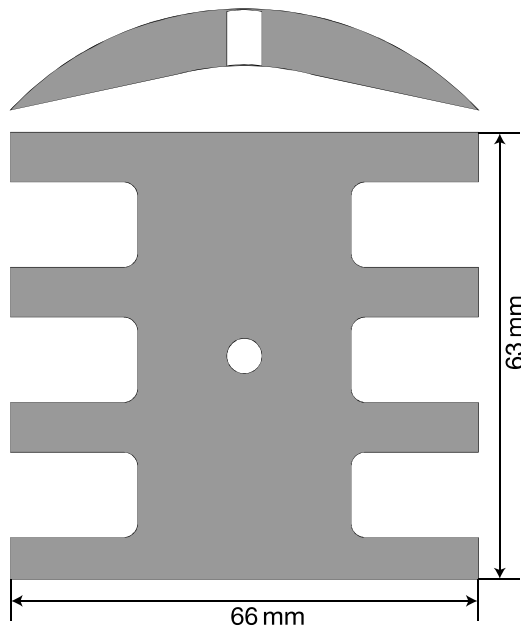
F75



Cam article number 01-46146 (1/1)
Screw article number 01-46794-12 (05-04-638)

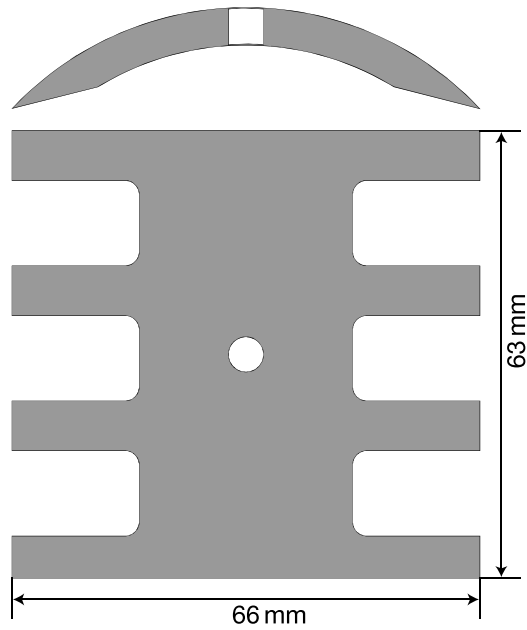
Spare parts

F8



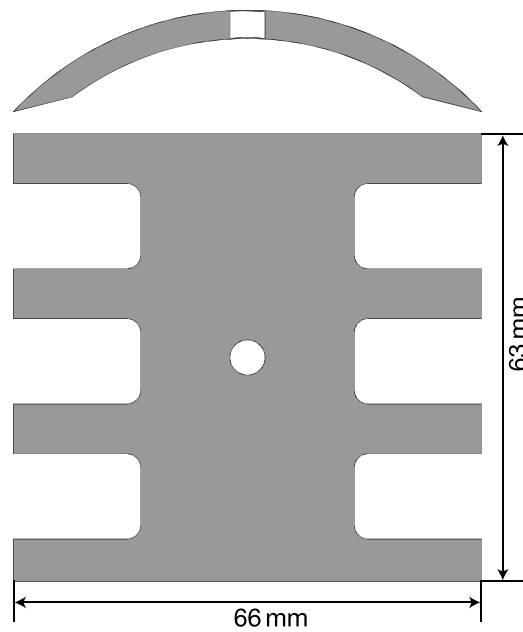
Cam article number 01-42680 (1/1)
replaces Jabsco 834
Screw article number 01-46794-02 (05-04-108)
replaces Jabsco SP1005-04

Cam article number 01-42425 (2/3)
Screw article number 01-46794-02 (05-04-108)



F8

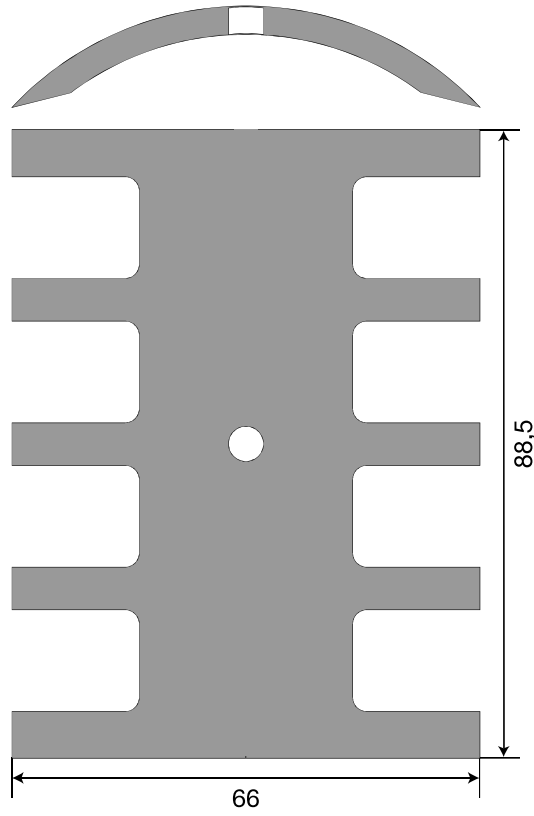
Cam article number 01-42755 (1/2)
replaces Jabsco 2551
Screw article number 01-46794-08 (05-04-147)
replaces Jabsco SP1005-05



F8

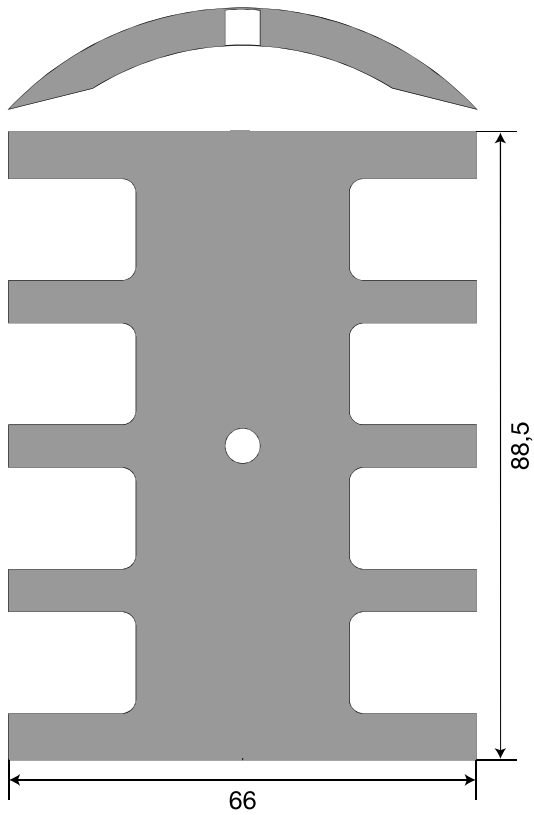
Spare parts

F9



Cam article number 01-43138 (1/2)
replaces Jabsco 22268
Screw article number 01-46794-08 (05-04-147)
replaces Jabsco SP1005-05

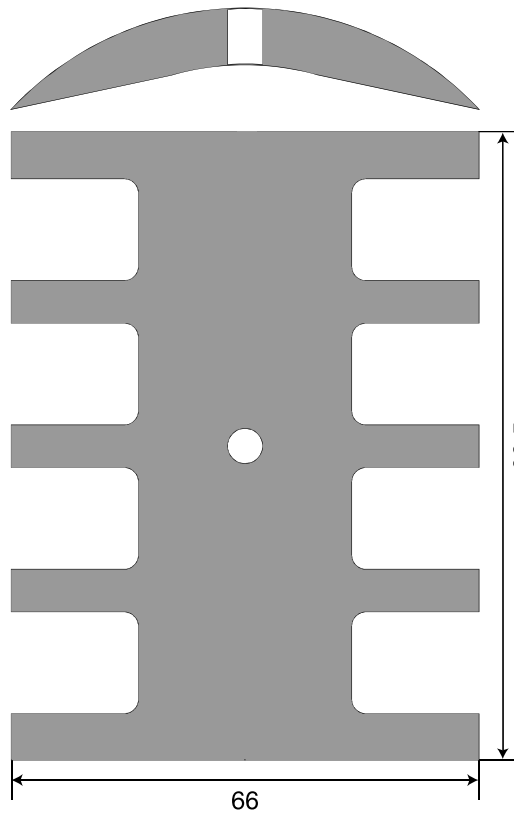
F9



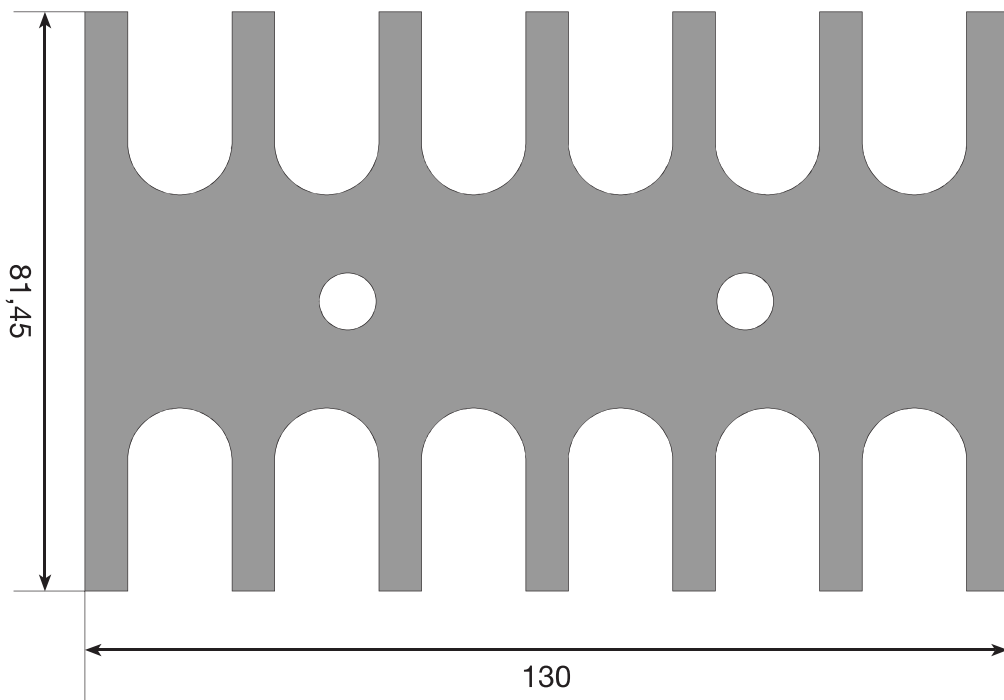
Cam article number 01-43135 (2/3)
replaces Jabsco 22039
Screw article number 01-46794-08 (05-04-147)
replaces Jabsco SP1005-04

Spare parts

Cam article number 01-43137 (1/1)
replaces Jabsco 6988
Screw article number 01-46794-02 (05-04-108)
replaces Jabsco SP1005-04



F9



F95

Spare parts

Cam article number 01-35744 (1/1)
Screw article number 01-46794-09 (05-04-515)