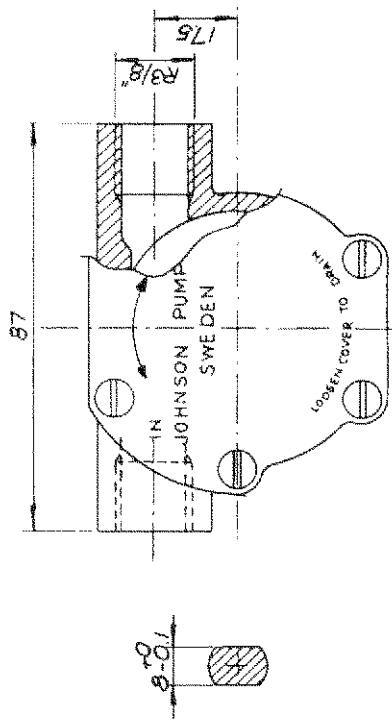
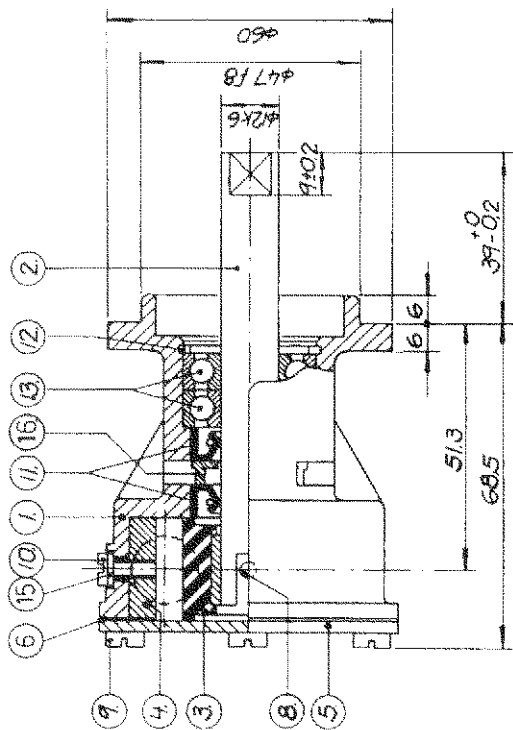
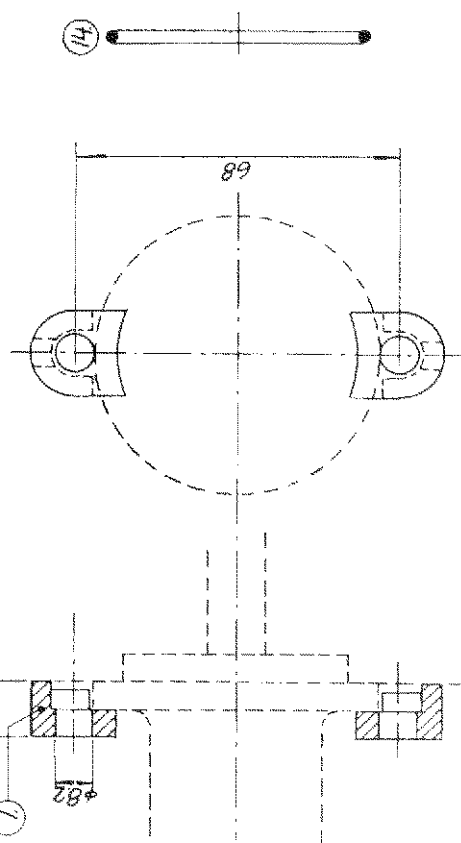


Pump nr. 10-35167 tillhör och vecka stämpas på locket



PUMP NO.	PUMPTYPE	CAM	SCREW	WASHER	NOS
PUMP NR.	PUMPTYP	KAM	SKRUV	BRICKA	ANTAL
10-35167-1	F4B	01-42389	05-04-114	05-01-120	1
10-35167-2	F4B-902	01-45084	05-04-163	05-01-120	2
10-35167-3	F4B-903	01-45288	05-04-114	05-01-120	1



Part No.	Description	Material	Dimension	Draw No.
Del nr.	Beskrivning			Rev. nr.
16	Distansbricka - Spacer			01-45955
15	Bricka - Washer			See table
14	O-ring		496.2.4	05-06-523
13	Kullager - Ballbearing			05-08-503
12	Låsring - Retaining ring			05-34-131
11	Lappbådn - Lipseal			05-29-139
10	SKRUV - Screw			See table
9	SKRUV - Screw			05-04-163
8	SKRUV - Screw			05-04-124
7	Klamma - Clamp			01-43238
6	Packning - Gasket			01-45284
5	Lock - Endcover			01-45282
4	Kam - Cam			See table
3	Impeller			08-810 B
2	Axel - Shaft			01-45569
1	Pumprhus - Body			01-35099-2

**JOHNSON PUMP AB**  
 ÖREBRO SWEDEN  
 05-03-53333

This drawing is the property of J.P. Protected in accordance with prevailing law. Copying, reprinting or use in any form without the express written permission of Johnson Pump AB is prohibited.

Sharp edges broken  
 Sharp corners broken  
 Burrs not permitted  
 Grader finish etc

Tolerance unless otherwise noted  
 Toleranser till annat anges

Unmachined surfaces  
 Oavsleppade ytor  
 3.0/13.2

Machined surfaces  
 Avsleppade ytor  
 3.0/13.2

Radius unless otherwise noted  
 Radie till annat anges

Date: 82-12-07  
 Sgn: J.C.

The Title: Johnson Impeller pump  
 The Part: Pump F4B-9 10-35167

Scale: 1:1  
 Draw No: 10-35167/P04

Rev. No.	Revision	Date	Sgn.
203	P04	9506281/G	
134	P03	8609171/F	
2	05-01-120.05-04-114	8402064/S	
1	10-35167-3	83-10271/S	