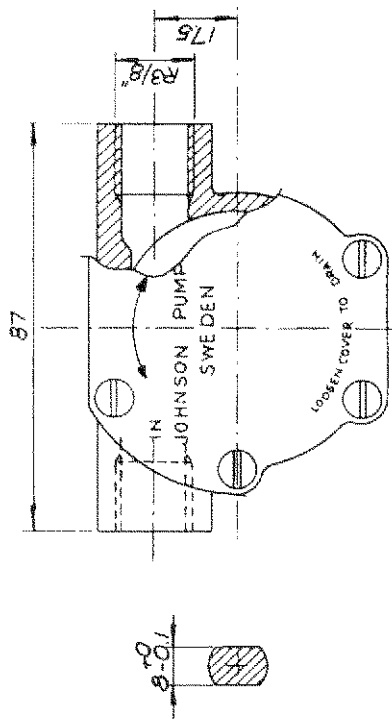
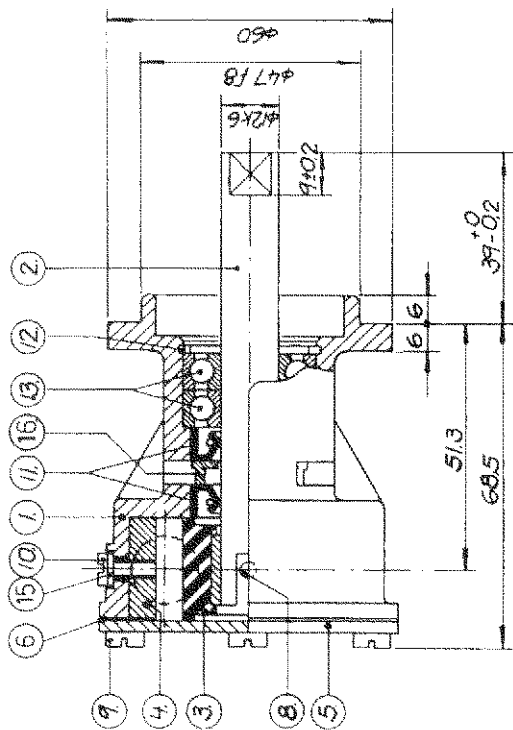
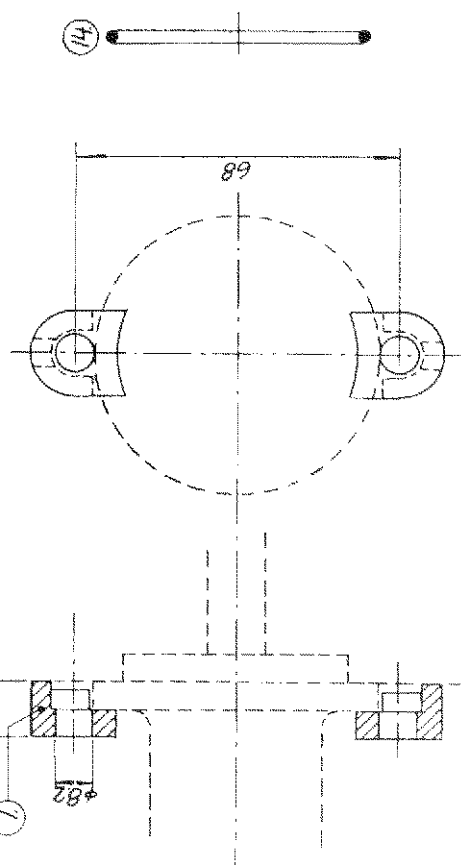


Pump nr. 10-35167 tillhör och vecka stämpas på locket



PUMP NO.	PUMPTYPE	CAM	SCREW	WASHER	NOS
PUMP NR.	PUMPTYP	KAM	SKRUV	BRICKA	ANTAL
10-35167-1	F4B	01-42389	05-04-114	05-01-120	1
10-35167-2	F4B-902	01-45084	05-04-163	05-01-120	2
10-35167-3	F4B-903	01-45288	05-04-114	05-01-120	1



Part No.	Description	Material	Dimension	Draw No.
Del nr.	Beskrivning			Rit nr.
16	Distansbricka - Spacer			01-45955
15	Bricka - Washer			See table
14	O-ring		496.2.4	05-06-523
13	Kulbägar - Ballbearing			05-08-503
12	Låsring - Retaining ring			05-34-131
11	Lappbådn - Lipseal			05-29-139
10	SKRUV - Screw			See table
9	SKRUV - Screw			05-04-163
8	SKRUV - Screw			05-04-124
7	Klamma - Clamp			01-43238
6	Packning - Gasket			01-45284
5	Lock - Endcover			01-45282
4	Kam - Cam			See table
3	Impeller			08-810 B
2	Axel - Shaft			01-45569
1	Pumphus - Body			01-35099-2

JOHNSON PUMP AB
 ÖREBRO SWEDEN
 01-35167-3-10-35167

This drawing is the property of J.P. Protected in accordance with prevailing law. Copying, reprinting or use in any form without the express written permission of Johnson Pump AB is prohibited.

Material: Sharp edges broken. Surfaces later finish. Burs not permitted. Grader finish etc.

Dimension: Radius unless otherwise noted. Tolerances star in annual catalogues. Unmachined surfaces. Machined surfaces. Over tolerance for. See table for. S. I. 137.2. S. I. 137.2.

Revision: 1
 Date: 83-10-27 L.S.

Scale: 1:1
 Draw No: 10-35167/P04