

Part No. Det. nr.	Part No. Ansl.	Description Benämning	Material	Dimension
18	8	SCREW	SKRUV	05-04-176
17	2	SCREW	SKRUV	05-04-123
16	2	SCREW	SKRUV	05-04-114
15	2	WASHER	BRICKA	05-01-120
14	1	LIP SEAL	LÄPPTÄTNING	05-29-502
13	2	LIP SEAL	LÄPPTÄTNING	05-29-139
12	2	IMPELLER	IMPELLER	08-808 B
11	1	PIN	STIFT	01-42400
10	1	WEARPLATE	SLITBRICKA	01-45087
9	1	GASKET	PACKNING	SEE TABLE
8	1	GASKET	PACKNING	SEE TABLE
7	1	BUSHING	BUSSNING	01-45110
6	1	BUSHING	BUSSNING	01-43131
5	1	ENDCOVER	LOCK	01-43239
4	2	CAM	KAM	01-42910
3	1	BODY	PUMPHUS	01-35062-1
2	1	SHAFT	AXEL	01-45109
1	1	BODY	PUMPHUS	SEE TABLE

Radius unless otherwise noted
Radie där ej annat anges

Sharp edges broken
Sarpa kanter brytes

Unmachined surfaces
Bakbearbetade ytor

± IT 17/2

± IT 14/2

± IT 14/2

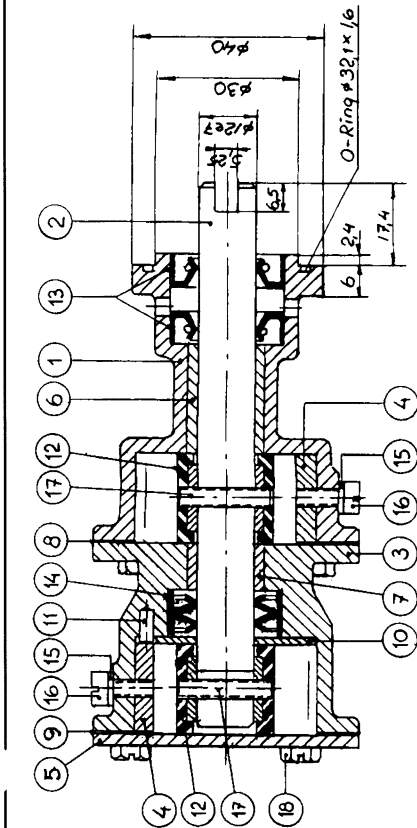
Scale
Skala 1:1

Rad
Datum 81-10-27

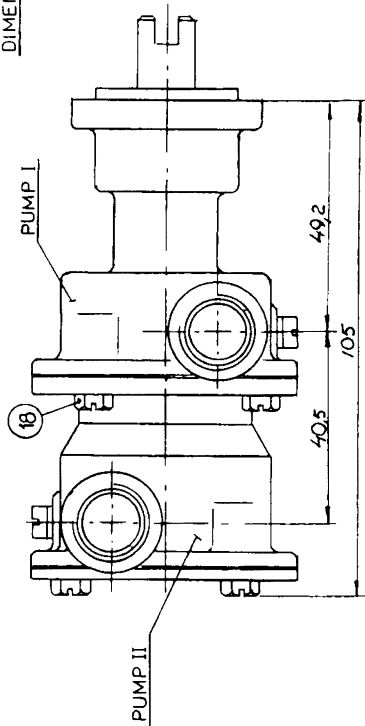
Sign. AH

JOHNSON PUMP AB
TYPE F35B/F35B-9 COOLING/COOLING

Draw No. 10-35065-10
Part. nr.



DIMENSIONS IN mm.



PUMP NO	HANDLING		
	PUMP I	PUMP II	BODY ①
10-35065-1	Seawater	Seawater	GASKET ⑧ 01-43240 l=0.15
- II - 2	Seawater	Seawater	01-32411 01-35026
- II - 3	Closed fresh-water system	Seawater	01-43240 l=0.15
- II - 4	Closed fresh-water system	Seawater	01-43240 l=0.15
- II - 5	Seawater	Closed fresh-water system	01-45400 l=0.40
- II - 6	Seawater	Closed fresh-water system	01-43240 l=0.15
			01-45400 l=0.40

PO2	Omriklad, pos 3-6 tillkommit	81-10-27	AH
32	Div. ändr. enl. AM 92	79-09-05	JT
Rev. No. Ändr. nr.	Revision Ändring	Date Datum	Sign.