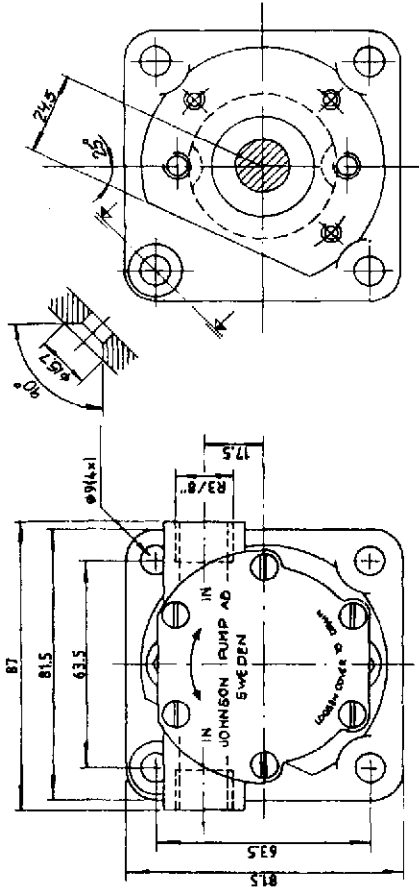
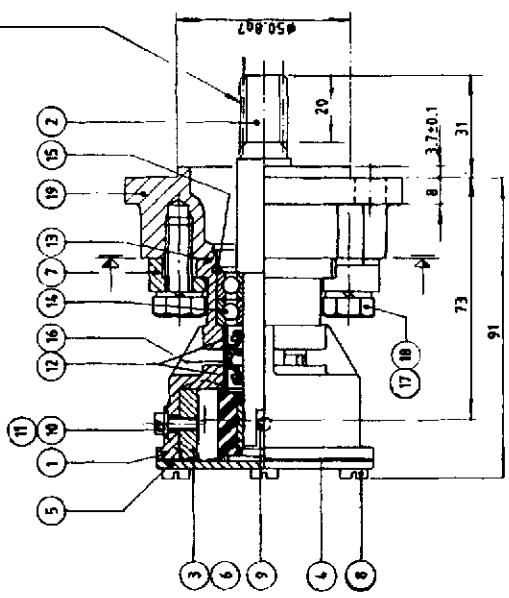


article number 10-24336 pump F4B-9

Part No.	50.807
Part Name	Flange
Material	Aluminum
Quantity	1
Unit	mm



SPLINE SPECIFICATION	
NO. OF TEETH	12
MODUL	1.0
MAJOR DIA.	16
MINOR DIA.	14
PRESSURE ANGLE	20°



PUMP NO.	PUMPTYPE	CAM NO.	THICKNESS	SCREW	WASHER NO.	PCS.
10-24336-01	F4B-9	01-42389	1/1	5.3	05-04-114	1
10-24336-02	F4B-903	01-45388	2/3	4.0	05-04-163	2
10-24336-03	F4B-902	01-45084	1/2	2.5		

19	Mellanlåg - Adapter	01-3337
18	Bräcka - Washer	05-02-101
17	Skriv - Screw	05-04-671
16	Distansbricka - Spacer	01-45955
15	Låsring - Retaining ring	05-04-331
14	Kullager - Ballbearing	05-08-503
13	O-ring	05-01-571
12	Lappring - Washer	05-29-339
11	Bräcka - Washer	See table
10	Skriv - Screw	See table
9	Skriv - Screw	05-01-124
8	Skriv - Screw	05-01-163
7	KAMMA - Clamp	01-42328
6	WÄRME - Endcover	01-110 8
5	Lack - Endcover	01-45787
4	Packning - Gasket	01-25984
3	KAM - Cam	See table
2	ÅKER - Shaft	01-35281
1	PUMPHUS - Body	01-32232

JOHNSON PUMP
TYPE F4B-9

Part No. 10-24336

Quantity 1

Material Aluminum

Unit mm

Scale 1:1

Drawn by JT

Checked by JT

Approved by JT

Date 88-03-02

Project No. 10-24336

Sheet No. P01