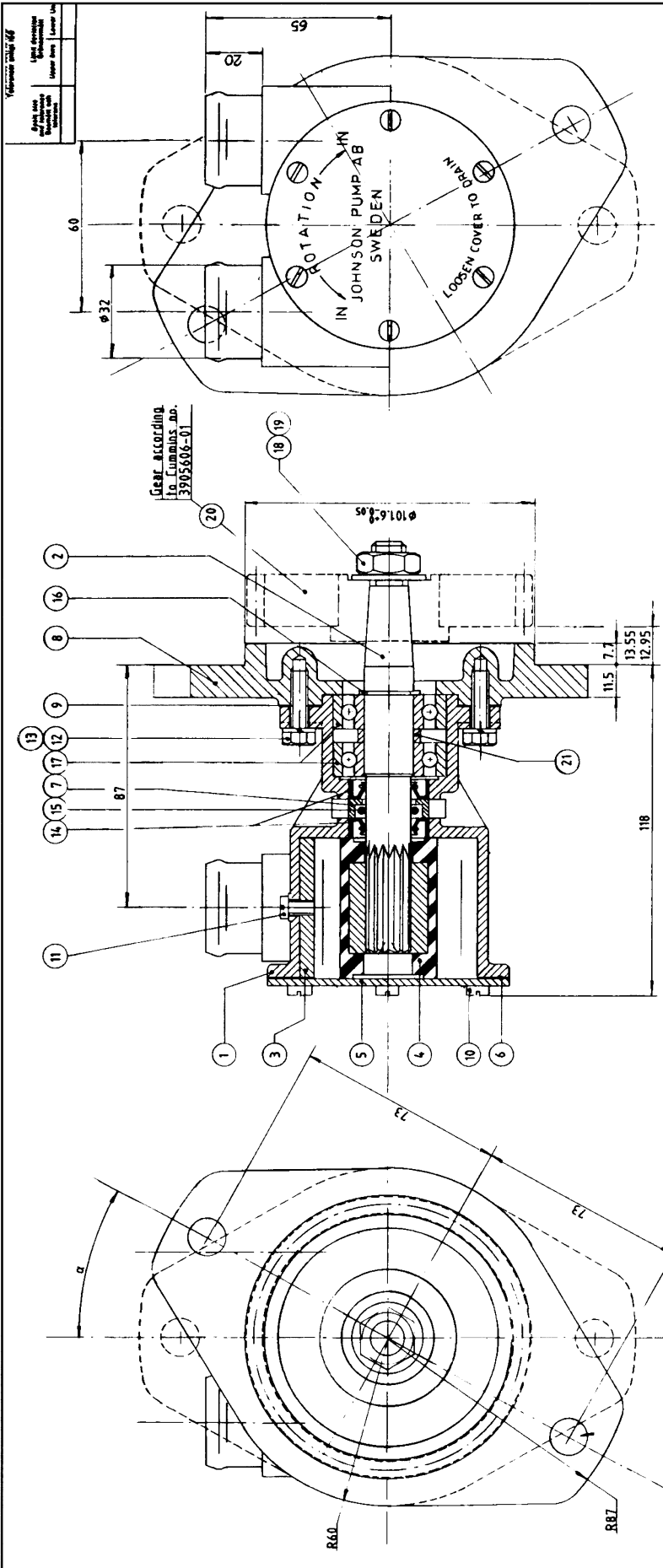


article number 10-24329 pump F7B-9



| # | Service kit | 01-45592 |
|----|--------------------------|-----------|
| 21 | Distanshylsa - Spacer | 01-46009 |
| 20 | Kuggskjul - Gear | See table |
| 19 | Bricka - Washer | 05-01-507 |
| 18 | Mutter - Nut | 05-05-503 |
| 17 | Kullager - Ball bearing | 05-08-129 |
| 16 | Låsring - Retaining ring | 05-34-71 |
| 15 | O-ring | 05-06-501 |
| 14 | Löplåtning - Lipsel | 05-29-105 |
| 13 | Bricka - Washer | 05-01-115 |
| 12 | Skruv - Screw | 05-04-114 |
| 11 | Skruv - Screw | See table |
| 10 | Skruv - Screw | 05-04-174 |
| 9 | Packning - Gasket | 01-45754 |
| 8 | Fläns - Flange | 01-45801 |
| 7 | Bricka - Washer | 01-45801 |
| 6 | Packning - Gasket | 01-42445 |
| 5 | Lock - Endcover | 01-42441 |
| 4 | Impeller - Cam | 08-30288 |
| 3 | Keil - Cam | See table |
| 2 | Axel - Shaft | 01-35301 |
| 1 | Pumphus - Body | 01-45947 |

| Pump no. | Pump type | α | Cam No. | Thickness | Screw | Gear |
|-------------|-----------|-----|----------|-----------|-----------|----------|
| 10-24329-01 | F7B-9 | | 01-42479 | 1/1 6.2 | 05-04-107 | |
| 10-24329-02 | F7B-903 | | 01-42472 | 2/3 6.2 | 05-04-114 | 01-46012 |
| 10-24329-03 | F7B-902 | 29° | 01-42586 | 1/2 3.3 | 02-04-125 | |
| 10-24329-04 | F7B-903 | | 01-42679 | 1/1 6.2 | 02-04-107 | |
| 10-24329-05 | F7B-903 | | 01-42442 | 2/3 4.1 | 05-04-144 | |
| 10-24329-06 | F7B-902 | | 01-42586 | 1/2 3.3 | 05-04-125 | |
| 10-24329-07 | F7B-9 | | 01-42679 | 1/1 6.2 | 05-04-107 | |
| 10-24329-08 | F7B-903 | 0° | 01-42442 | 2/3 4.7 | 05-04-144 | 01-46012 |
| 10-24329-09 | F7B-902 | | 01-42586 | 1/2 3.3 | 05-04-125 | |
| 10-24329-10 | F7B-9 | | 01-42679 | 1/1 6.2 | 05-04-107 | |
| 10-24329-11 | F7B-903 | | 01-42442 | 2/3 4.7 | 05-04-144 | |
| 10-24329-12 | F7B-902 | | 01-42586 | 1/2 3.3 | 05-04-125 | |

| | | | | | |
|-----|-----|----|-------------------------------|--------|----|
| S&I | P04 | B1 | Pos 104-49947 var 01-45947 | 900004 | RE |
| | P02 | C1 | Pos 10 och 19 inf i skedlista | 010710 | JT |
| | | C1 | Del nr 16 ändrad | | |
| | P02 | BB | Kanskrav 05-04-144 THK. | 871208 | TE |