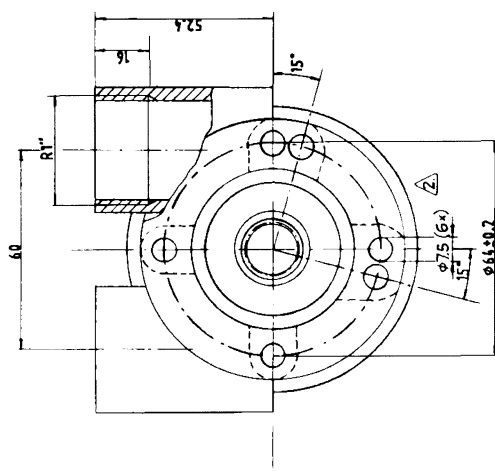


MÅTT I mm.
DIMENSIONER I mm

TYP OCH PUMP NR
STAMPPLAS PA LOCKET



Pump no. Pump nr.	Pumptype Pumptyp	Thickness Tjocklek	Cam/Kam No. Nr.	Screw Skruv	Ballbearing Kullager
10-24280-1	F7B-903	2/3	4.7	01-42442	05-08-144
10-24280-2	F7B-9	1/1	6.2	01-42679	05-08-107

Pump no. 10-24280-1/-2	* 1 Service kit		09-65592
Splines coupling	15	1	Kuggkoppling
Washer	14	1	Bricka
Screw	13	1	Skruv
Retaining ring	12	1	Låstring
Ball bearing	11	2	Kullager
O-ring	10	1	O-ring
Lip seal	9	2	Läppförling
Screw	8	6	Skruv
Gasket	6	1	Packning
Shaft	5	1	Axel
Cam	4	1	Kam
Impeller	3	1	Impeller
Cover	2	1	Lock
Body	1	1	Pumphus

104 2 φ75(G+) var φ7(G+) Detail nr 7 utgåra
 860318 TE
 890309 JTE
 New No. 860318 TE
 Date 1984
 Sign.

JOHNSON PUMP AB
 ÖRSBRO SWEDEN
 Tel. 0713 18 30

JOHNSON IMPELLERPUMP
 TYPE F7B-9 10-24280

Scale 1:1
 Draw No. 10-24280
 Rev. nr.