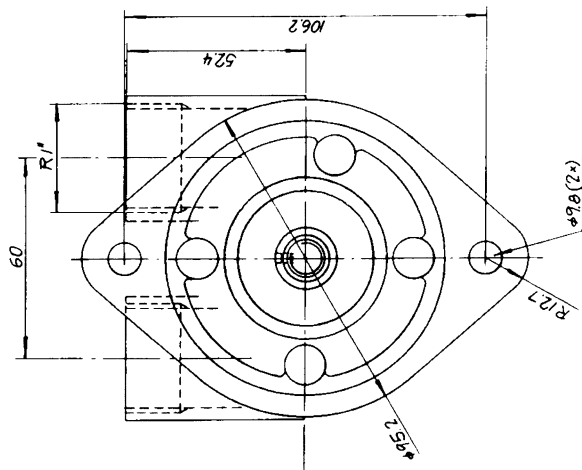
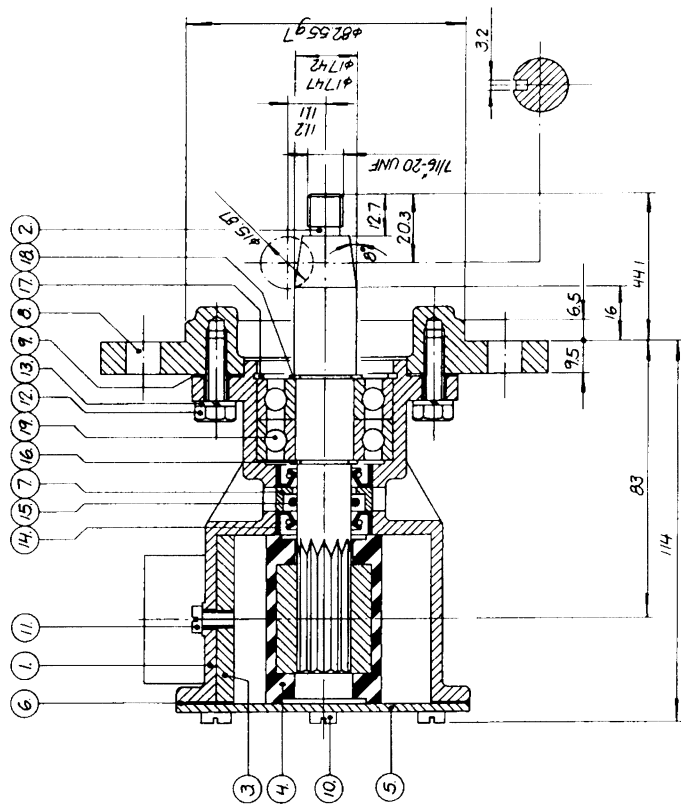


article number 10-24244 pump F7B-9



Pump no	Pumptype	Cam	Screw
10-24244-1	F7B-9	Cam	Skruv
10-24244-2	F7B-903	Cam	Skruv

No	Part name	Material	Dimension
19	2 Kullager — Ballbearing		05-08-29
18	1 Lagers — Retaining ring		05-34-21
17	1 Lagers — Retaining ring		05-34-10
16	1 Lagers — Retaining ring		05-34-05
15	1 O-ring		05-08-501
14	2 Lappadning — Lipsel		05-29-05
13	4 Bricka — Washer		05-01-15
12	4 Skruv — Screw		05-04-146
11	1 Skruv — Screw		See table
10	6 Skruv — Screw		05-04-174
9	1 Backning — Gasket		01-45754
8	1 Flans — Flange		01-35213
7	1 Bricka — Washer		01-45181
6	1 Backning — Gasket		01-42445
5	1 Impeller		01-42441
4	1 Kam — Cam		08-10288
3	1 Kam — Cam		See table
2	1 Axel — Shaft		01-45725
1	1 Pumphus — Body		01-2425

This drawing is the property of Johnson Pump AB. It is not to be reproduced or transmitted in any form or by any means, electronic, mechanical, photocopying, recording, or by any information storage and retrieval system, without prior written permission from Johnson Pump AB.

Scale: 1:1
Date: 04-01-17
Drawn: JF
Checked: JF

Johnson Pump AB
10-24244 Type F7B-9