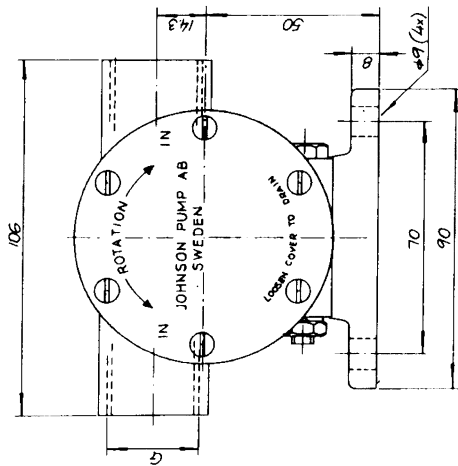
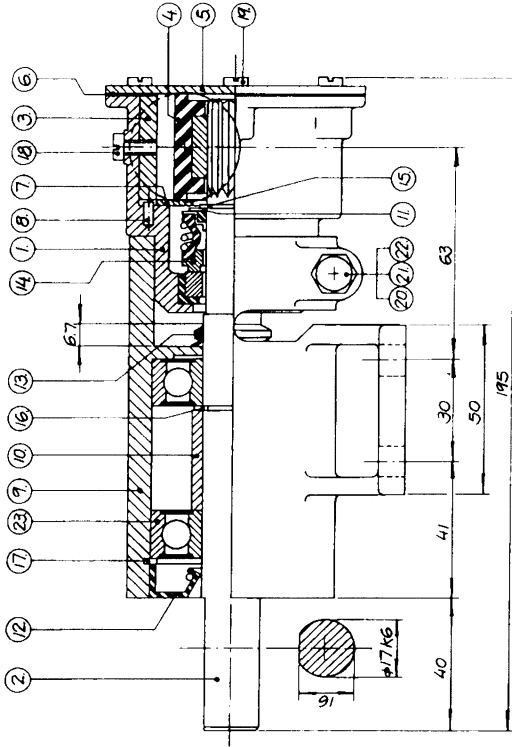


Multipurpose



Pump No. Pump Nr.	Pump type Pumptyp	Impeller Rubberavsl. Gummikval.	Impeller No. Nr.	Cam No. Nr.	Cam Thickness Tjocklek	Screw Skruv	Body Pumphus	Thread Gänga
10-24210-1	F5B-3000	Negarene	08-1027 B	01-42397	1/1 4.9	05-04-117	01-31927-2	R 3/4"
10-24210-2	F5B-3000	Nitric	08-1027 B-9	01-45014	1/2 3.1	05-04-175		
10-24210-3	F5B-3020	Negarene	08-1027 B-9	01-42397	1/1 4.9	05-04-117	01-31927-4	3/4"-14 NPTF
10-24210-4	F5B-3020	Nitric	08-1027 B-9	01-45014	1/2 3.1	05-04-175		
10-24210-5	F5B-3000T	Negarene	08-1027 B	01-42397	1/1 4.9	05-04-117		
10-24210-6	F5B-3000T	Nitric	08-1027 B-9	01-45014	1/2 3.1	05-04-175		
10-24210-7	F5B-3020T	Negarene	08-1027 B	01-42397	1/1 4.9	05-04-117		
10-24210-8	F5B-3020T	Nitric	08-1027 B-9	01-45014	1/2 3.1	05-04-175		

Part No. Del nr.	Description Beskrivning	Material	Impulsion Slag/min
23	Kulager - Balls bearing		05-08-22
22	Mutter - Nut		05-05-115
21	Bricka - Washer		05-01-115
20	Skruv - Screw		05-04-105
19	Skruv - Screw		05-04-115
18	Skruv - Screw		See table
17	Låsring - Retaining ring		05-31-17
16	Låsring - Retaining ring		05-31-21
15	Låsring - Retaining ring		05-34-105
14	Wekt. bryn - Mech seal		05-20-115
13	Wekt. bryn - Mech seal		05-19-503
12	Lappbryn - Lips seal		05-24-503
11	Bricka - Washer		05-01-121
10	Distansstycka - Spacer		01-45170
9	Lagerbryn - Ball bearing		01-24208
8	Stift - Pin		01-42400
7	Stiftbricka - Wear plate		01-42399
6	Packning - Gasket		01-42401
5	Lock - End cover		01-42398
4	Impeller		See table
3	Kam - Cam		See table
2	Axel - Shaft		01-35177
1	Pumphus - Body		See table

Johnson Pump AB
 Type F5B-3000
 Scale 1:1
 Date 85-02-25
 Drawn by: [Signature]
 Checked by: [Signature]
 Approved by: [Signature]