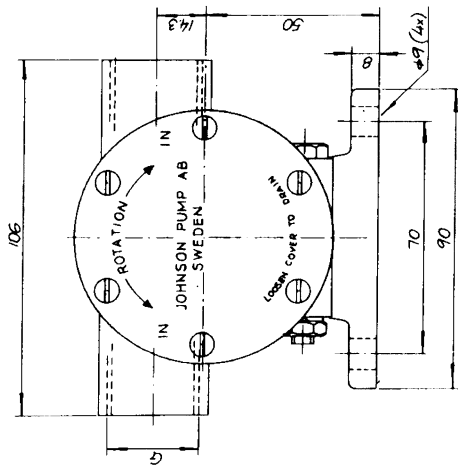
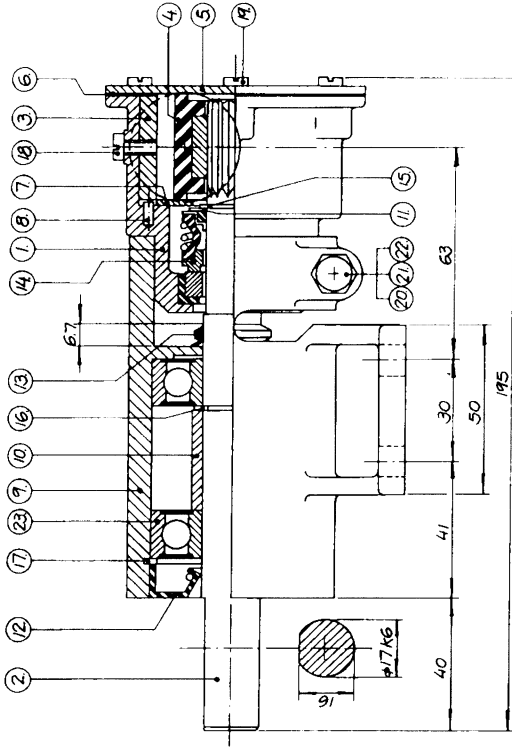


Multipurpose



Pump No. Pump Nr.	Pump type Pumptyp	Impeller Rubberavsl. Gummikval.	Impeller No. Nr.	Cam No. Nr.	Cam Thickness Tjocklek	Screw No. Nr.	Body Pumphus	Thread Gänga
10-24210-1	F5B-3000	Negarene	08-1027 B	01-42397	1/1 4.9	05-04-117	01-31927-2	R 3/4"
10-24210-2	F5B-3000	Nittic	08-1027 B-9	01-45014	1/2 3.1	05-04-175		
10-24210-3	F5B-3020	Negarene	08-1027 B-9	01-42397	1/1 4.9	05-04-117	01-31927-4	3/4"-14 NPTF
10-24210-4	F5B-3920	Nittic	08-1027 B-9	01-45014	1/2 3.1	05-04-175		
10-24210-5	F5B-3000T	Negarene	08-1027 B	01-42397	1/1 4.9	05-04-117		
10-24210-6	F5B-3000T	Nittic	08-1027 B-9	01-45014	1/2 3.1	05-04-175		
10-24210-7	F5B-3020T	Negarene	08-1027 B	01-42397	1/1 4.9	05-04-117		
10-24210-8	F5B-3920T	Nittic	08-1027 B-9	01-45014	1/2 3.1	05-04-175		

Part No. Del nr.	Part Name Delnamn	Material	Impeller Material
23	Kulager - Balls bearing		
22	Mutter - Nut		
21	Bricka - Washer		
20	Skruv - Screw		
19	Skruv - Screw		
18	Skruv - Screw		
17	Låsring - Retaining ring		
16	Låsring - Retaining ring		
15	Låsring - Retaining ring		
14	Waxbådn - Mech seal		
13	Waxring		
12	Lappbådn - Lips seal		
11	Bricka - Washer		
10	Distansstycke - Spacer		
9	Lagerbådn - Ball bearing		
8	Stift - Pin		
7	Slitbricka - Wear plate		
6	Packning - Gasket		
5	Lock - End cover		
4	Impeller		
3	Kam - Cam		
2	Axel - Shaft		
1	Pumphus - Body		

The drawing is the property of Johnson Pump AB. It is not to be reproduced or used in any way without the written permission of Johnson Pump AB.

Scale: 1:1  
 Date: 85-02-25  
 Drawn by: J. / 4  
 Checked by: J. / 4

Johnson Pump AB  
 Type F5B-3000  
 10-24210