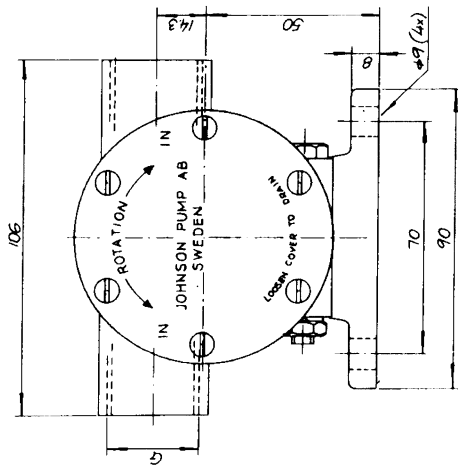
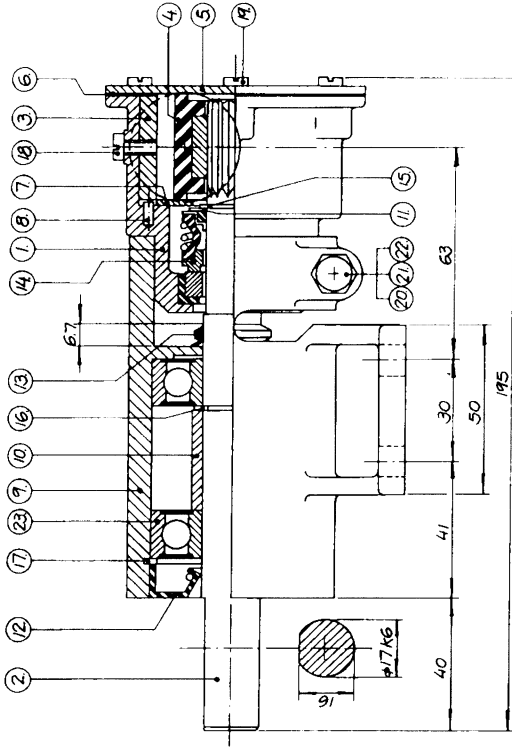


Multipurpose



Pump No. Pump Nr.	Pump type Pumptyp	Impeller Rubberavsl. Gummikval.	Impeller No. Nr.	Cam Thicknes Tjocklek	Cam No. Nr.	Screw Skruv	Body Pumphus	Thread Gänga
10-24210-1	F5B-3000	Negarene	08-1027 B	1/1	4.9	01-42397	01-31927-2	R 3/4"
10-24210-2	F5B-3000	Nitric	08-1027 B-9	1/2	3.1	01-45014	01-31927-4	3/4"-14 NPTF
10-24210-3	F5B-3020	Negarene	08-1027 B-9	1/1	4.9	05-04-175		
10-24210-4	F5B-3020	Nitric	08-1027 B-9	1/1	4.9	05-04-175		
10-24210-5	F5B-3000	Negarene	08-1027 B-9	1/1	4.9	05-04-175		
10-24210-6	F5B-3000	Nitric	08-1027 B-9	1/1	4.9	05-04-175		
10-24210-7	F5B-3020	Negarene	08-1027 B-9	1/2	3.1	01-45014		
10-24210-8	F5B-3020	Nitric	08-1027 B-9	1/2	3.1	01-45014		

Part No. Del nr.	Part Name Delnamn	Material	Impulsion	Material
23	Kulager - Balls bearing			
22	Mutter - Nut			
21	Bricka - Washer			
20	Skruv - Screw			
19	Skruv - Screw			
18	Skruv - Screw			
17	Låsring - Retaining ring			
16	Låsring - Retaining ring			
15	Låsring - Retaining ring			
14	Waxbådn - Mech seal			
13	Waxbådn - Mech seal			
12	Lappbådn - Lips seal			
11	Bricka - Washer			
10	Distansstycke - Spacer			
9	Lagerbådn - Ball bearing			
8	Skrift - Pin			
7	Slitbricka - Wear plate			
6	Packning - Gasket			
5	Lock - End cover			
4	Impeller			
3	Kam - Cam			
2	Axel - Shaft			
1	Pumphus - Body			

The drawing is the property of Johnson Pump AB. It is not to be reproduced or used in any way without the written permission of Johnson Pump AB.

Scale: 1:1  
 Date: 85-02-25  
 Drawn by: [Signature]  
 Checked by: [Signature]

Johnson Pump AB  
 Type F5B-3000  
 10-24210