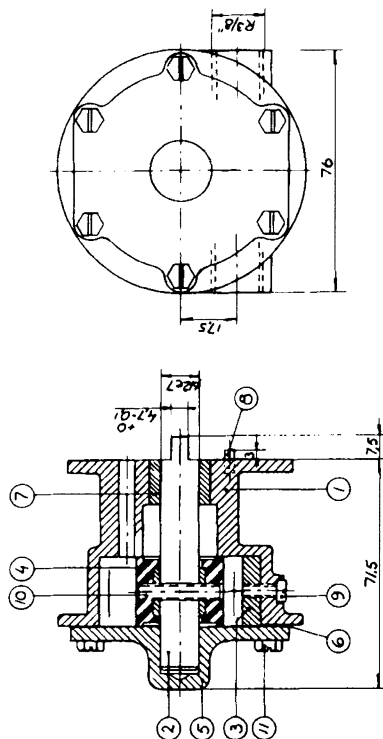
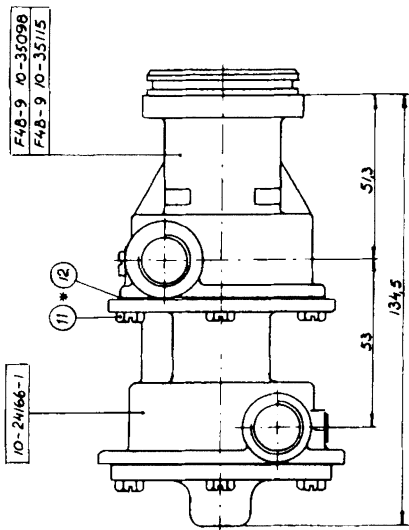


Remodeltype Pumptyp	Ramp No Pump nr	Cam Kaim Thickness Tjocklek	No. NC	Screw Skruv
F4B-9	10-24166-1	5,3	01-42389	05-04-115
F4B-909	10-24166-2	2,3	40 01-49280	03-04-114



\* 6 st. skruvar och 1st packning levereras separat  
 6 pcs screw and 1pc gasket will be delivered separately.

Part No / Del nr	Part Name / Delnamn	Material	Quantity / Antal
12	1	PACKNING	01-42284
11	2	SKRUV	05-04-126
10	1	SKRUV	05-04-124
9	1	SKRUV	See table
8	2	STIFF	01-42400
7	1	BUSHING	01-42307-3
6	1	PACKNING	01-42391
5	1	LOCK	01-42388-2
4	1	IMPELLER	08-810-8
3	1	CAM	SPR 49216
2	1	AXEL	01-42313
1	1	PUMPHUS BODY	01-24122-6

1	10-24166-2	1stilk	10-09-087
1	10-24166-1	1stilk	10-09-087

Scale	1:1
Drawn by	10-24166
Checked by	
Approved by	

Part No / Del nr	10-24166
Part Name / Delnamn	Johnson Impellerpump
Material	Cast Iron
Quantity / Antal	1