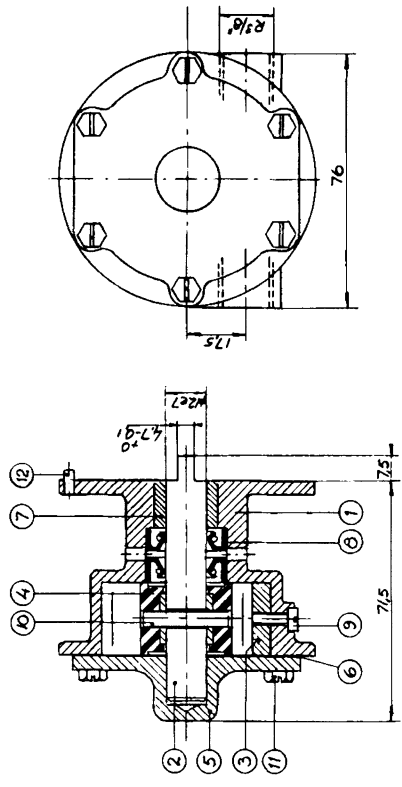


RECOMMENDATION FOR GASKET SELECTION PUMP II

HANDLING	PUMP II	GASKET ⑥
Seawater		01-42391 1-015
Closed fresh-water system		01-45401 1-0140 Red marked

PUMP I



6 st. skravor 05-04-176, pos ⑩ och 1st packing 01-42391 samt 1st packing 01-45401, pos ⑪. Skrivna separat till leverantörerna för Pump II.

6 pcs screw pos ⑩ and 1+1 pcs gasket pos ⑪ will be delivered separately. To be used for Pump II.

Part No.	Descrption	Material	Dimension	Draw. No.
13	1 Packing	Gasket		01-42391 (ev. separat)
14	1 Packing	Gasket		01-45401 (ev. separat)
15	1 Stiff	Pin		01-42400
16	1/2 Screw	Screw		05-04-176
17	1/2 Screw	Screw		05-04-174
18	1/2 Screw	Screw		05-04-175
19	1/2 Screw	Screw		05-04-179
20	1/2 Lipstämning	Lipstämning		01-45207-3
21	1/2 Bussning	Bussning		See table
22	1/2 Packing	Gasket		01-42306-2
23	1/2 Lock	Endcover		08-810-8
24	1/2 Impeller	Impeller		01-42309
25	1/2 Kam	Cam		01-45315
26	1/2 Axel	Shaft		01-45122-3
27	1/2 Pumphus	Body		01-45122-3

HANDLING	PUMP I	GASKET ⑥
Seawater		01-42391 1-015
Closed fresh-water system		01-45401 1-0140

Part No.	Descrption	Material	Dimension	Draw. No.
13	1 Packing	Gasket		01-42391 (ev. separat)
14	1 Packing	Gasket		01-45401 (ev. separat)
15	1 Stiff	Pin		01-42400
16	1/2 Screw	Screw		05-04-176
17	1/2 Screw	Screw		05-04-174
18	1/2 Screw	Screw		05-04-175
19	1/2 Screw	Screw		05-04-179
20	1/2 Lipstämning	Lipstämning		01-45207-3
21	1/2 Bussning	Bussning		See table
22	1/2 Packing	Gasket		01-42306-2
23	1/2 Lock	Endcover		08-810-8
24	1/2 Impeller	Impeller		01-42309
25	1/2 Kam	Cam		01-45315
26	1/2 Axel	Shaft		01-45122-3
27	1/2 Pumphus	Body		01-45122-3