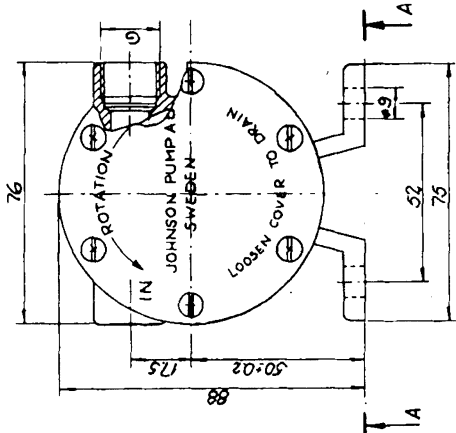
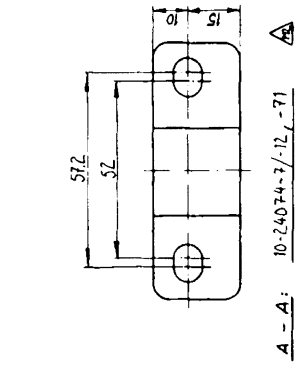
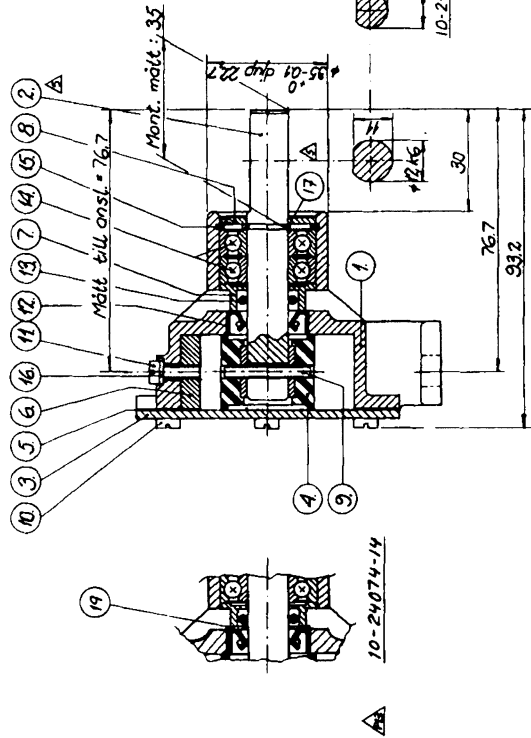


Pump No. Mark on endcover
10-24074-1-35302-1
10-24074-13
Pump type + No. + monthly code
CWP 31

Note! Label 01-35302-1 is to be placed
in centre of endcover 01-46007.



Pump No	Pump type	Impeller	Impeller No	Cam	Thickness	No.	Screw	Washer	Body	Thread G.	Endcover	Label	Shaft
10-24074-1	F4B-8	Neprene	08-810 B-9	01-42389	111	01-42389	05-04-115	05-01-120	01-35029-1	R3/8"	01-42398		
2	F4B-8	Neprene	08-810 B-9	01-45084	112	01-45084	05-04-163	05-01-120	01-35029-2	3/8"-18 NPTF	01-42398		01-45069
3	F4B-8	Neprene	08-810 B-9	01-45288	213	01-45288	05-04-114	05-01-120	01-35029-1	R3/8"	01-46007	01-35302-1	
4	F4B-8	Neprene	08-810 B-9	01-42389	111	01-42389	05-04-115	05-01-120	01-35029-1	R3/8"	01-46007	01-35302-1	
5	F4B-8	Neprene	08-810 B-9	01-45084	112	01-45084	05-04-163	05-01-120	01-35029-2	3/8"-18 NPTF	01-42398		01-45069
6	F4B-8	Neprene	08-810 B-9	01-45288	213	01-45288	05-04-114	05-01-120	01-35029-1	R3/8"	01-46007	01-35302-1	
7	F4B-8	Neprene	08-810 B-9	01-42389	111	01-42389	05-04-115	05-01-120	01-35029-1	R3/8"	01-46007	01-35302-1	
8	F4B-8	Neprene	08-810 B-9	01-45084	112	01-45084	05-04-163	05-01-120	01-35029-2	3/8"-18 NPTF	01-42398		01-45069
9	F4B-8	Neprene	08-810 B-9	01-45288	213	01-45288	05-04-114	05-01-120	01-35029-1	R3/8"	01-46007	01-35302-1	
10	F4B-8	Neprene	08-810 B-9	01-42389	111	01-42389	05-04-115	05-01-120	01-35029-1	R3/8"	01-46007	01-35302-1	
11	F4B-8	Neprene	08-810 B-9	01-45084	112	01-45084	05-04-163	05-01-120	01-35029-2	3/8"-18 NPTF	01-42398		01-45069
12	F4B-8	Neprene	08-810 B-9	01-45288	213	01-45288	05-04-114	05-01-120	01-35029-1	R3/8"	01-46007	01-35302-1	
13	F4B-8	Neprene	08-810 B-9	01-42389	111	01-42389	05-04-115	05-01-120	01-35029-1	R3/8"	01-46007	01-35302-1	
14	F4B-8	Neprene	08-810 B-9	01-45084	112	01-45084	05-04-163	05-01-120	01-35029-2	3/8"-18 NPTF	01-42398		01-45069
15	F4B-8	Neprene	08-810 B-9	01-45288	213	01-45288	05-04-114	05-01-120	01-35029-1	R3/8"	01-46007	01-35302-1	
16	F4B-8	Neprene	08-810 B-9	01-42389	111	01-42389	05-04-115	05-01-120	01-35029-1	R3/8"	01-46007	01-35302-1	
17	F4B-8	Neprene	08-810 B-9	01-45084	112	01-45084	05-04-163	05-01-120	01-35029-2	3/8"-18 NPTF	01-42398		01-45069
18	F4B-8	Neprene	08-810 B-9	01-45288	213	01-45288	05-04-114	05-01-120	01-35029-1	R3/8"	01-46007	01-35302-1	
19	F4B-8	Neprene	08-810 B-9	01-42389	111	01-42389	05-04-115	05-01-120	01-35029-1	R3/8"	01-46007	01-35302-1	

Part No	Description	Material	Quantity	Unit
10-24074-14	Impeller	Neprene	1	pc
10-24074-15	Cam	Steel	1	pc
10-24074-16	Screw	Steel	1	pc
10-24074-17	Washer	Steel	1	pc
10-24074-18	Body	Steel	1	pc
10-24074-19	Thread G.	Steel	1	pc
10-24074-20	Endcover	Steel	1	pc
10-24074-21	Label	Steel	1	pc
10-24074-22	Shaft	Steel	1	pc

Replaced by F4B-8
Art. No. 10-24570

Pos.	Qty.	Description	Material	Dimension
1	1	Body	Steel	
2	1	Shaft	Steel	
3	1	End cover	Steel	
4	1	Impeller	Steel	
5	1	Gasket	Steel	
6	1	Cam	Steel	
7	1	Washer	Steel	
8	1	Washer	Steel	
9	1	Screw	Steel	
10	6	Screw	Steel	
11	1	Screw	Steel	
12	1	Lip seal	Steel	
13	2	Ball bearing	Steel	
14	2	Retaining ring	Steel	
15	1	Retaining ring	Steel	
16	1	Washer	Steel	
17	1	Label	Steel	
18	1	Label	Steel	
19	1	Washer	Steel	

Multipurpose