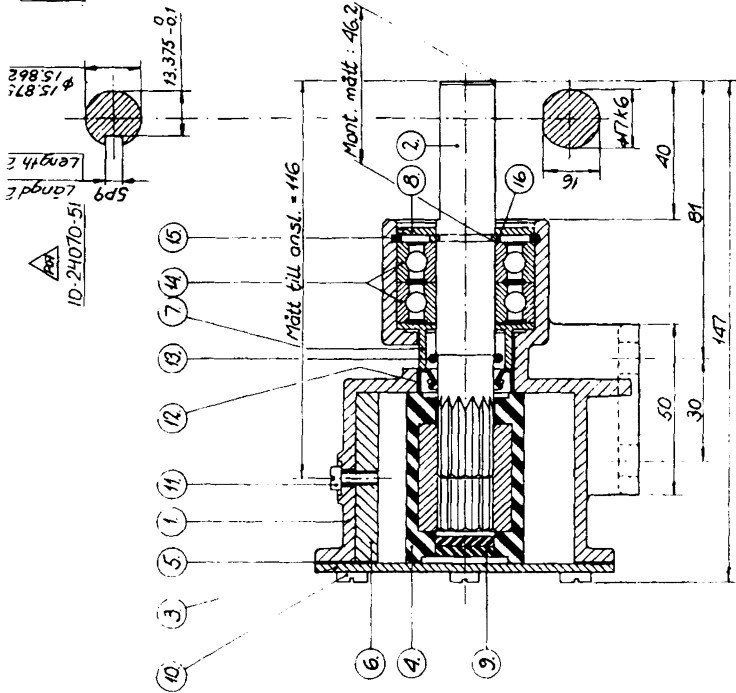


JOHNSON PUMP AB ÖREBRO

Pump No.
10-24070-1/2-51
10-24070-9
CWP107

Mark on endcover
10-24070-1/2-51
Pumptype + No. + weekly code
CWP107

Note! Label 01-35302-1 is to be placed
in centre of endcover 01-46005.



* 1	Service kit Pump No. 10-24070-1-3-5-7-9-51	09-45592
* 1	Service kit Pump No. 10-24070-2-4-6-8	09-45593
17	Måttskylt - Label	See table
16	1 Lockring - Locking ring	SA-17
15	1 Lockring - Locking ring	SA-17
14	1 Lockring - Locking ring	SA-17
13	1 Lockring - Locking ring	SA-17
12	1 O-ring	SA-17
11	1 O-ring	SA-17
10	1 O-ring	SA-17
9	1 O-ring	SA-17
8	1 O-ring	SA-17
7	1 O-ring	SA-17
6	1 O-ring	SA-17
5	1 O-ring	SA-17
4	1 O-ring	SA-17
3	1 O-ring	SA-17
2	1 O-ring	SA-17
1	1 O-ring	SA-17

Pump No.	Pumptype/Endcover	Label	Descrpt. on	Cam Thickness	Impeller Rubber aval. No.	Screw	Body/Thread G	Shaft
10-24070-1	F7B-8		1/1	6.2	08-1028B	05-04-107	01-24065-1 G = R1*	01-45045
-2	F7B-8		1/1	6.2	08-1028B-9	05-04-107		
-3	F7B-8		2/3	4.7	08-1028B	05-04-144		
-4	F7B-8	01-42441	2/3	4.7	08-1028B	05-04-144		
-5	F7B-8		1/1	6.2	08-1028B	05-04-107	01-24065-2 G = 1" - 11/2 NPTF	
-6	F7B-8		2/3	4.7	08-1028B-9	05-04-144		
-7	F7B-8		1/1	6.2	08-1028B	05-04-107	01-24065-1	
-8	F7B-8		1/1	6.2	08-1028B	05-04-107	01-24065-2	10-146417

Replaced by F7B-8
Art. No. 10-24572

1066	1067	1068	1069	1070	1071	1072	1073	1074	1075	1076	1077	1078	1079	1080
1066	1067	1068	1069	1070	1071	1072	1073	1074	1075	1076	1077	1078	1079	1080