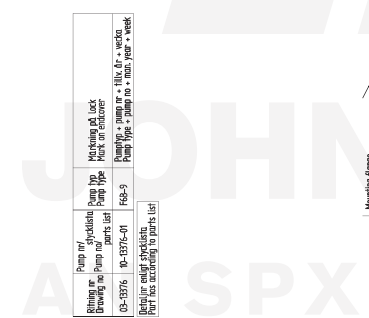
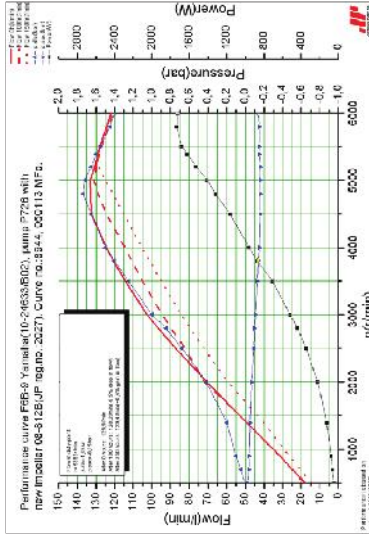
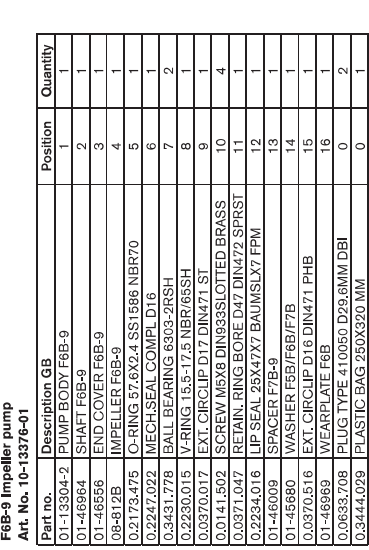


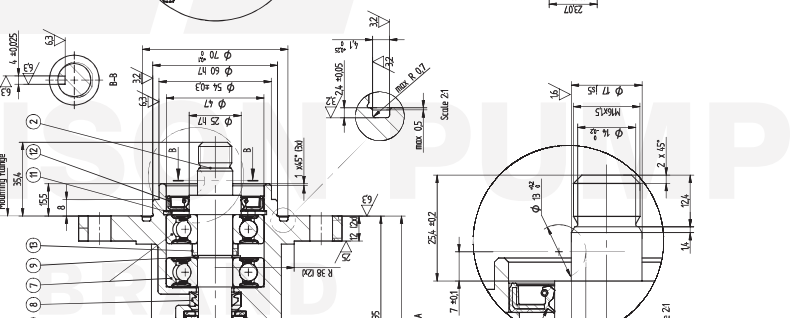
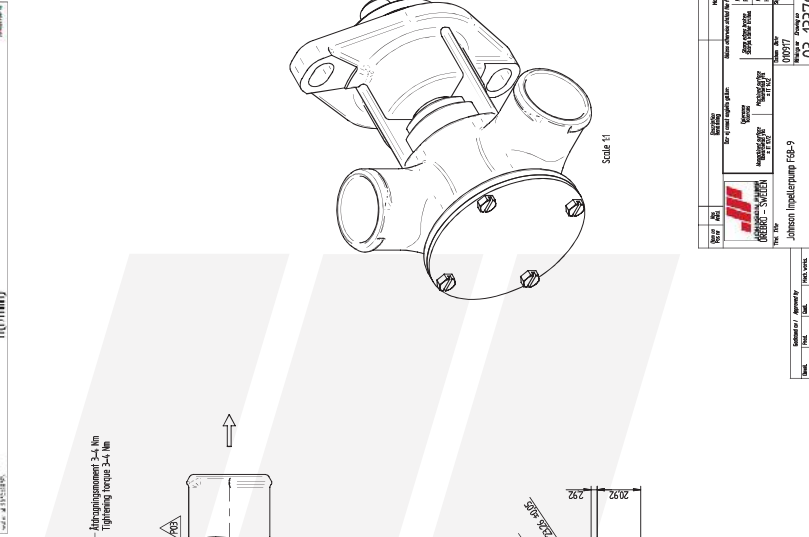
Parameter	Value
Flow (l/min)	150
Pressure (bar)	1.0
Power (W)	400



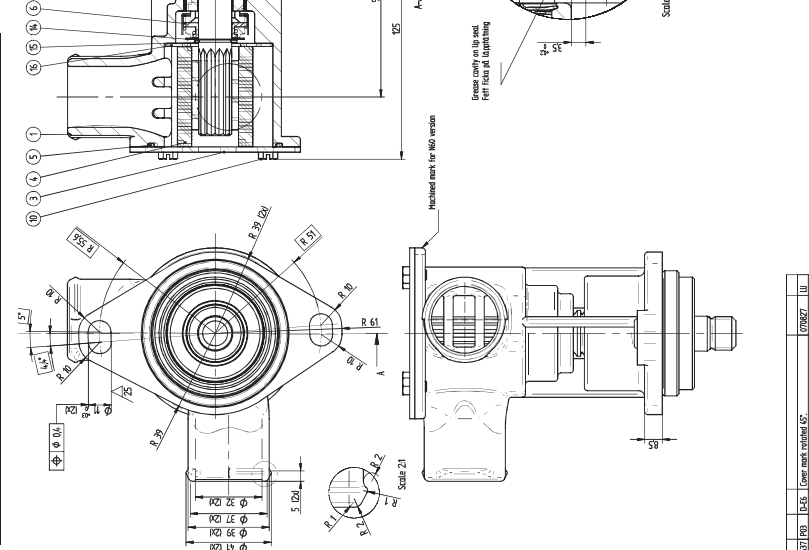
Part no.	Description GB	Position	Quantity
01-13304-2	PUMP BODY F6B-9	1	1
01-45894	SHAFT F6B-9	2	1
01-45856	END COVER F6B-9	3	1
08-812B	IMPELLER F6B-9	4	1
0-2173-475	O-RING 57.6X2.4 SSI1586 NBR70	5	1
0-2247-022	MECHSEAL COMPL D16	6	1
0-3431-778	BALL BEARING 6303-2RSH	7	2
0-230-015	V-RING 15.5-17.5 NBR/65SH	8	1
0-0370-017	EXT. CIRCLIP D1.7 DIN471 ST	9	1
0-0141-502	SCREW M8X8 DIN933SLOTTED BRASS	10	4
0-0371-047	RETAIN. RING BORE D47 DIN472 SPRST	11	1
0-2234-016	LIP SEAL 25X47X7 BAUMSLX7 FPM	12	1
01-45009	SPACER F7B-9	13	1
01-45680	WASHER F6B/F6B/F7B	14	1
0-0370-516	EXT. CIRCLIP D1.6 DIN471 PHB	15	1
01-48969	WEARPLATE F6B	16	1
0-0633-708	PLUG TYPE 4 10050 D29.6MM DBI	0	2
0-3444-029	PLASTIC BAG 250X320 MM	0	1



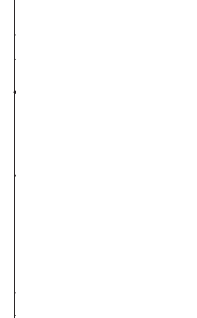
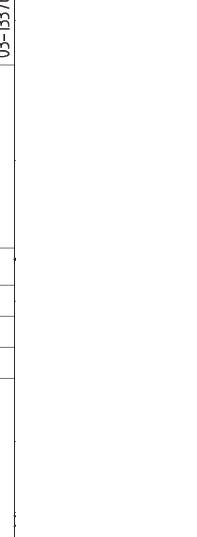
Parameter	Value
Flow (l/min)	150
Pressure (bar)	1.0
Power (W)	400



Part no.	Description GB	Position	Quantity
01-13304-2	PUMP BODY F6B-9	1	1
01-45894	SHAFT F6B-9	2	1
01-45856	END COVER F6B-9	3	1
08-812B	IMPELLER F6B-9	4	1
0-2173-475	O-RING 57.6X2.4 SSI1586 NBR70	5	1
0-2247-022	MECHSEAL COMPL D16	6	1
0-3431-778	BALL BEARING 6303-2RSH	7	2
0-230-015	V-RING 15.5-17.5 NBR/65SH	8	1
0-0370-017	EXT. CIRCLIP D1.7 DIN471 ST	9	1
0-0141-502	SCREW M8X8 DIN933SLOTTED BRASS	10	4
0-0371-047	RETAIN. RING BORE D47 DIN472 SPRST	11	1
0-2234-016	LIP SEAL 25X47X7 BAUMSLX7 FPM	12	1
01-45009	SPACER F7B-9	13	1
01-45680	WASHER F6B/F6B/F7B	14	1
0-0370-516	EXT. CIRCLIP D1.6 DIN471 PHB	15	1
01-48969	WEARPLATE F6B	16	1
0-0633-708	PLUG TYPE 4 10050 D29.6MM DBI	0	2
0-3444-029	PLASTIC BAG 250X320 MM	0	1



Parameter	Value
Flow (l/min)	150
Pressure (bar)	1.0
Power (W)	400



Part no.	Description GB	Position	Quantity
01-13304-2	PUMP BODY F6B-9	1	1
01-45894	SHAFT F6B-9	2	1
01-45856	END COVER F6B-9	3	1
08-812B	IMPELLER F6B-9	4	1
0-2173-475	O-RING 57.6X2.4 SSI1586 NBR70	5	1
0-2247-022	MECHSEAL COMPL D16	6	1
0-3431-778	BALL BEARING 6303-2RSH	7	2
0-230-015	V-RING 15.5-17.5 NBR/65SH	8	1
0-0370-017	EXT. CIRCLIP D1.7 DIN471 ST	9	1
0-0141-502	SCREW M8X8 DIN933SLOTTED BRASS	10	4
0-0371-047	RETAIN. RING BORE D47 DIN472 SPRST	11	1
0-2234-016	LIP SEAL 25X47X7 BAUMSLX7 FPM	12	1
01-45009	SPACER F7B-9	13	1
01-45680	WASHER F6B/F6B/F7B	14	1
0-0370-516	EXT. CIRCLIP D1.6 DIN471 PHB	15	1
01-48969	WEARPLATE F6B	16	1
0-0633-708	PLUG TYPE 4 10050 D29.6MM DBI	0	2
0-3444-029	PLASTIC BAG 250X320 MM	0	1

