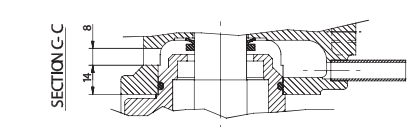
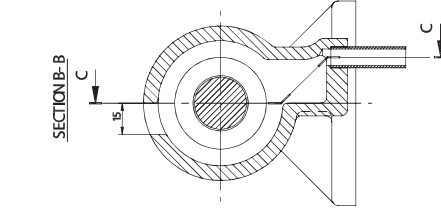
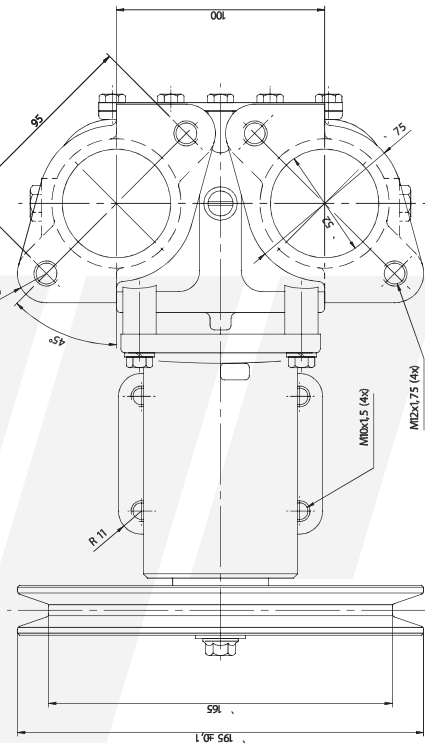
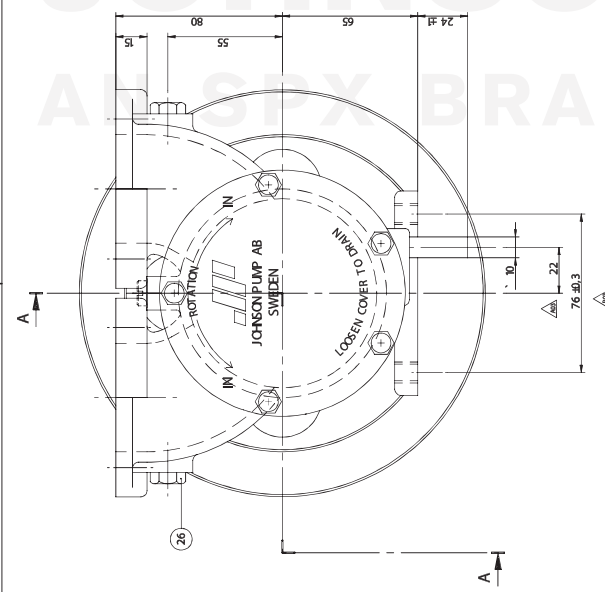
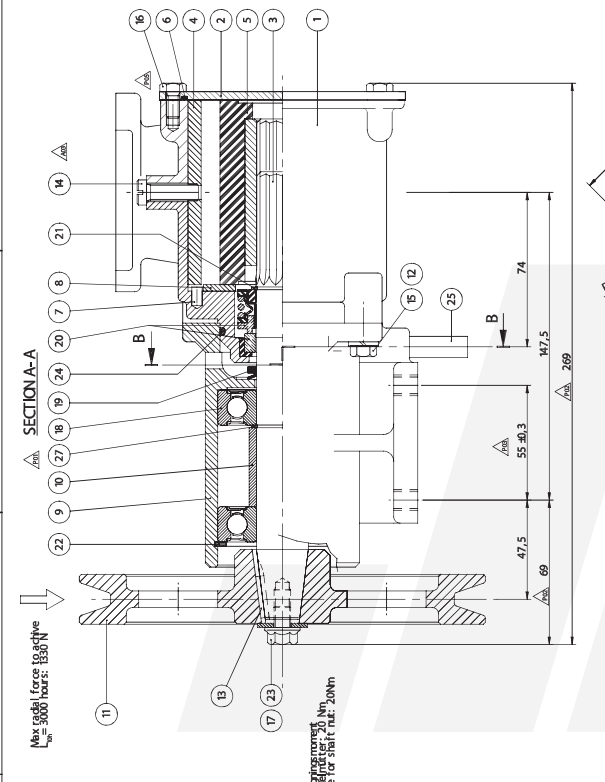


100	100	100	100
100	100	100	100
100	100	100	100
100	100	100	100



JOHNSON PUMP
ALL SPX BRAND

Ring nr / **Part no.** / **Part list** / **Part list** / **Part list** / **Part list**
 05-13171 / 10-13171-01 / F9B-905 / 10-13171-01 / 10-13171-01 / 10-13171-01
 Max. radial force to active max = 3000 N (688 lbf)
 Laddningsmoment för axel är 20 Nm/100mm
 See manufacturing requirement: 97-13171

100	100	100	100	100	100
100	100	100	100	100	100
100	100	100	100	100	100
100	100	100	100	100	100
100	100	100	100	100	100

100		100		100	
100		100		100	
100		100		100	
100		100		100	
100		100		100	

03-13171
940008
 AN
 L1
 P05
 1994

F9B-905 Impeller pump
Art. No. 10-13171-01

Part. No.	Description GB	Position	Quantity
01-13173-1	BODY F9B-9	1	1
01-35773-1	ENDCOVER F8/F9/F95 SS	2	1
01-35833	SHAFT F9B	3	1
01-45172	CAM F9B-905	4	1
08-814B	IMPELLER	5	1
0.2172.142	O-RING 90.00X2.5 NBR70	6	1
01-42426	PIN	7	1
01-46538	WEARPLATE F8/F9/F95 SS	8	1
01-13174-1	BEARING HOUSING F9B-9	9	1
01-42747	SPACER F8/F9	10	1
01-24510	PULLEY F9B-9	11	1
0.0353.309	SPRINGWASH D8.2 DIN127 STZN	12	4
0.0502.001	KEY A 4X4X20 DIN6885A ST	13	1
01-46794-09	SCREW M8X25 AL.BRONZE	14	1
0.0141.916	TAP BOLT M8X20 DIN933 8.8ZP	15	4
0.0138.134	TAP BOLT M6X12 DIN933 A2	16	5
0.0146.001	COLLARSCREW M8X16 DIN6921 8.8	17	1
0.3431.780	BALL BEARING 6305-2RS1	18	2
0.2230.319	V-GASKET V 25A NBR70	19	1
0.2247.051	MECH.SEAL COMPL 1" 106BT2C1	20	1
0.0370.525	EXT. CIRCLIP D25 DIN471 ST	21	1
0.0371.062	RETAIN. RING BORE D62 DIN472 SPRST	22	1
0.0351.501	WASHER D8.4XD24X1.5 ISO7093 A2	23	1
0.2173.451	O-RING 54.5X3.0 SS1586 NBR70	24	1
01-46537	DRAIN PIPE	25	1
01-46539	PAD	0	1
0.0142.617	TAP BOLT M10X40 DIN933 8.8ZP	0	2
01-46789-01	WASHER D10.5XD22X3 STZN	0	2
0.0370.025	EXT. CIRCLIP D25 DIN471 ST	27	1