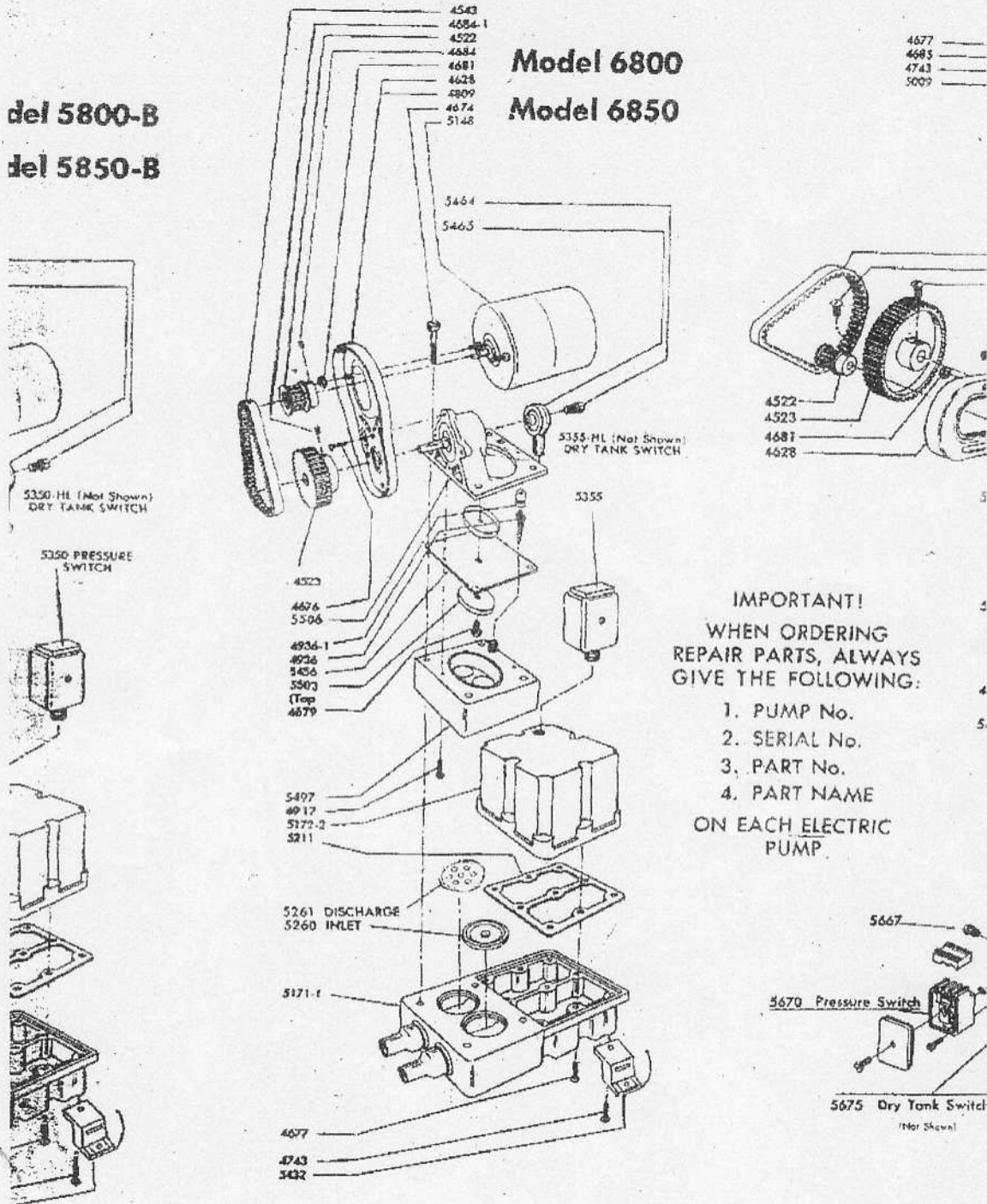


del 5800-B  
del 5850-B

Model 6800  
Model 6850



**IMPORTANT!**  
WHEN ORDERING  
REPAIR PARTS, ALWAYS  
GIVE THE FOLLOWING:

1. PUMP No.
  2. SERIAL No.
  3. PART No.
  4. PART NAME
- ON EACH ELECTRIC  
PUMP.

4677 \_\_\_\_\_  
4685 \_\_\_\_\_  
4743 \_\_\_\_\_  
5009 \_\_\_\_\_

