



# Models 61022-4 Series 61040-4 Series 61025-4 Series 61042-4 Series 61026-4 Series

## 5", 7" & 8" ELECTRIC REMOTE CONTROL SEARCHLIGHTS

Models 61022-4 Series 61025-4 Series  
 61026-4 Series 61040-4 Series 61042-4 Series



MODEL 61022 Series



MODELS 61025 & 61026 Series



MODELS 61040 & 61042 Series

### FEATURES

- Complete drive unit enclosed in light housing.
- Single control lever for vertical and horizontal movement.
- Dual speed control for precise beam movement.
- On-off and spot/flood beam selection from a single switch. (Spot only on 8" and flood only on 24 Volt 7" models).
- Exclusive Clutch-A-Matic feature protects drive unit against overload. Can operate for extended periods against limit stops without harm. Light head may be moved manually without damage to the drive unit.
- Internal brake system holds beam firmly on target.
- Includes control with on-off, spot/flood switch, dual speed control, and single control for vertical and horizontal movement.

Model Number	Volts	Head	Base	Bulb Type	Candlepower (Combined)
61022-4002	12	Brass	Zinc	5" Spot/Flood	100,000
61025-4002	12	Brass	Zinc	5" Spot/Flood	100,000
61026-4002	12	Brass	Brass	5" Spot/Flood	100,000
61040-4002	12	Brass	Brass	7" Spot/Flood	250,000
61040-4006	24	Brass	Brass	7" Flood	470,000
61042-4002	12	Brass	Brass	8" Spot	500,000

Model Number	Volts	Head	Base	Bulb Type	Reflective Beam Range
61025-4008	12	Brass	Zinc	5" Halogen	1200'
61026-4008	12	Brass	Brass	5" Halogen	1200'

## LIGHT MOUNTING

See base mounting dimensions for appropriate model light. Mount all models with front of base toward direction of most intended use (front of circular base is marked with arrow). Drill screw holes (per dimensional drawing) and a 1 1/8" (28mm) hole at center of base for wiring cable. Drill additional holes for wiring cable through firewalls, bulkheads, etc. for connection to control. With gasket under light base, feed wire through hole and fasten light in place. Note: Cable connectors are provided for easy wiring connections. See Wiring Diagram.

**8" and 7" 24 Volt Models Only** – In addition to the cable connections, the red and black individual wires at the end of the cable must be connected to the power source – red-positive, black-negative. Install 20 amp fuse provided in positive lead between power source and searchlight. These connections are to be made using butt connectors provided.

## CONTROL MOUNTING 43670-0001

Select a location near the helm which will allow convenient operation of control. Unit may be mounted on vertical, horizontal or inclined panel.

1. Cut 2 5/8" (67mm) diameter hole in flat surface where control is to be mounted.
2. Route power leads (supplied by customer) from voltage source to control. *Note: Wiring must be 16 gauge with maximum run of 15 ft.*
3. Crimp terminals supplied onto power leads. *Note: Larger terminal is crimped to positive lead – smaller terminal to negative lead.*
4. Insert wiring cable and power leads thru back of hole and plug into control.
5. Use bedding compound or sealant to waterproof control mounting.
6. Secure control with self-tapping screws provided.

## OPTIONAL SECONDARY CONTROL MOUNTING

If an additional control station is desired use control kit number 43670-0004. Mount secondary control in same manner as main control. Mount station selector panel near the main control (flybridge or lower).

1. Cut a 2" x 1 3/8" (51mm x 35mm) opening for station selector panel within a 1 foot radius of the control.
2. Route secondary control cable from station selector panel to secondary control location (cable acquired separately – see cable listing).
3. Insert station selector panel thru mounting hole and attach connectors to mating connectors from controls and searchlight. The connector marked "flybridge" to go to flybridge control and the connector marked "lower" to lower control. The connector to the nearest control can be plugged directly into the control. See diagram.
4. Use bedding compound or sealant to waterproof station selector panel mounting.  
Secure panel with self-tapping screws provided.

## CIRCUIT PROTECTION

Two (2) automotive type fuses are included in the control. One (10 amp) protects the bulb circuit (3 amp used on relay circuit on 8" and 24V 7"), the other (3 amp) protects the motor circuit. A 20 amp fuse or circuit breaker must be supplied by installer in positive lead to 7" (24V) and 8" light base. If 24 Volt system is being used the positive input lead to voltage regulator must be protected with a 3 amp fuse.

## VOLTAGE REGULATOR INSTALLATION AND WIRING 45090-0000 (Used only on 24 Volt)

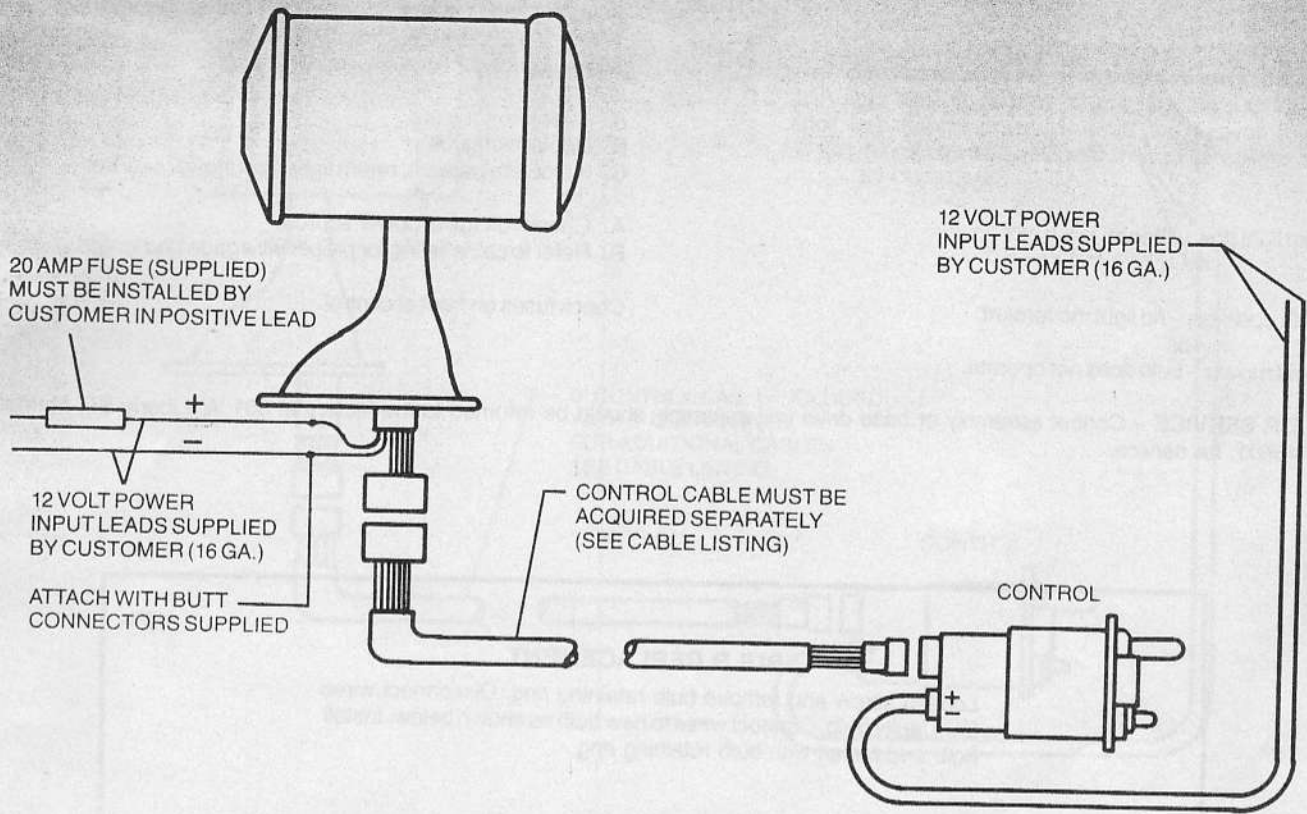
Mount regulator near control in area protected from rain or spray using (4) screws supplied. Slide terminals attached to red and black wires supplied onto the output side of the regulator – red-positive and black-negative as indicated on regulator label. Route wires to the control and cut and strip ends if required. Crimp terminals supplied with the control onto the wires – large terminal to the red wire and small terminal to the black wire. Slide the terminals onto the input power terminals on the back of the control. To connect D.C. power to the regulator, use 16 gauge copper stranded wire. Install 3 amp fast acting fuse in positive lead. Crimp terminals supplied with the regulator to the input power leads - large terminal to the positive lead and small terminal to the negative lead. Slide these terminals onto the input power terminals on the end of the regulator as indicated on the label. See diagram on 7" 24 Volt model.

## CABLE LISTING

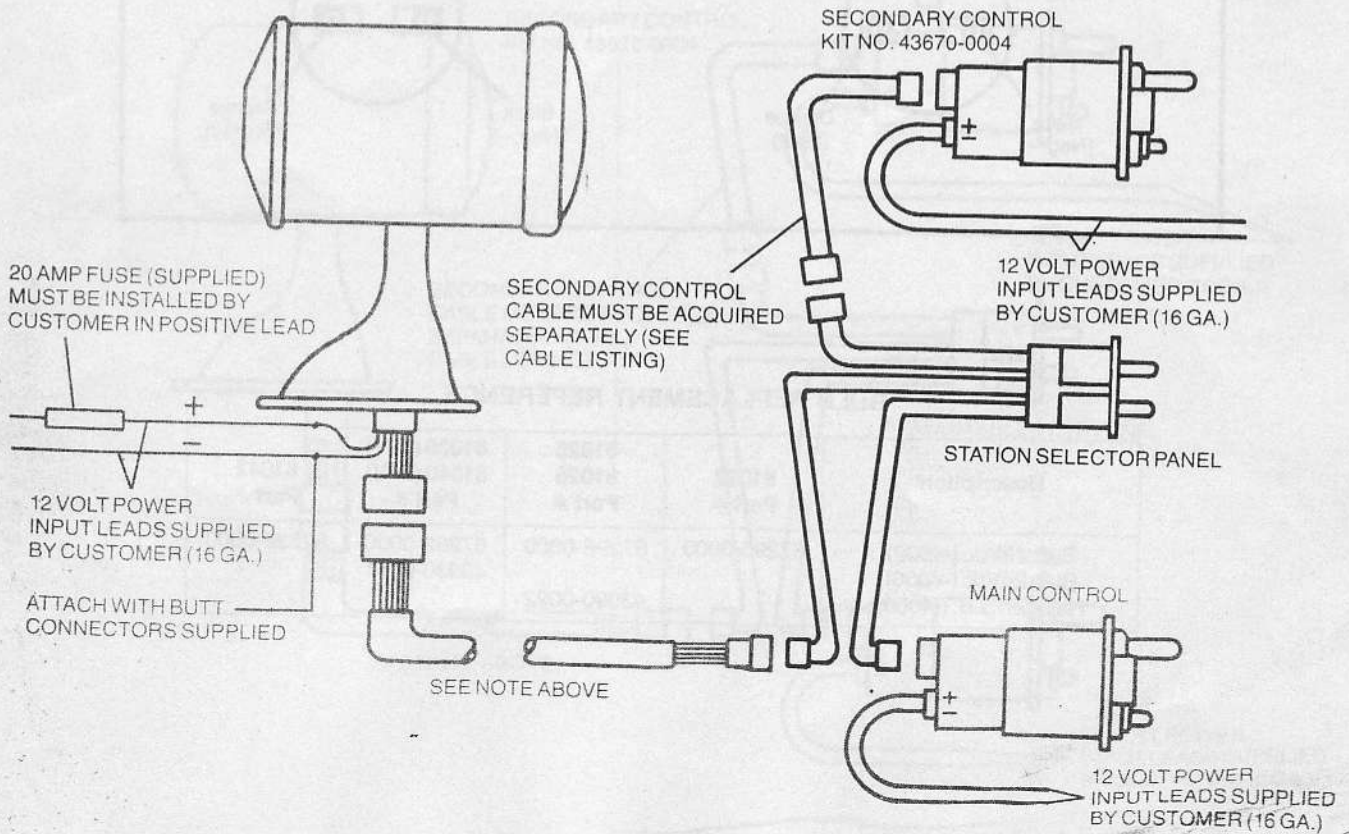
Part Number	Description
43990-0013	10' Cable Assembly
43990-0014	15' Cable Assembly
43990-0015	25' Cable Assembly
43990-0016	35' Cable Assembly
67294-0000	50' Bulk Cable



**WIRING DIAGRAM SINGLE CONTROL  
8" Model**



**WIRING DIAGRAM, OPTIONAL SECONDARY REMOTE CONTROL  
8" Model**

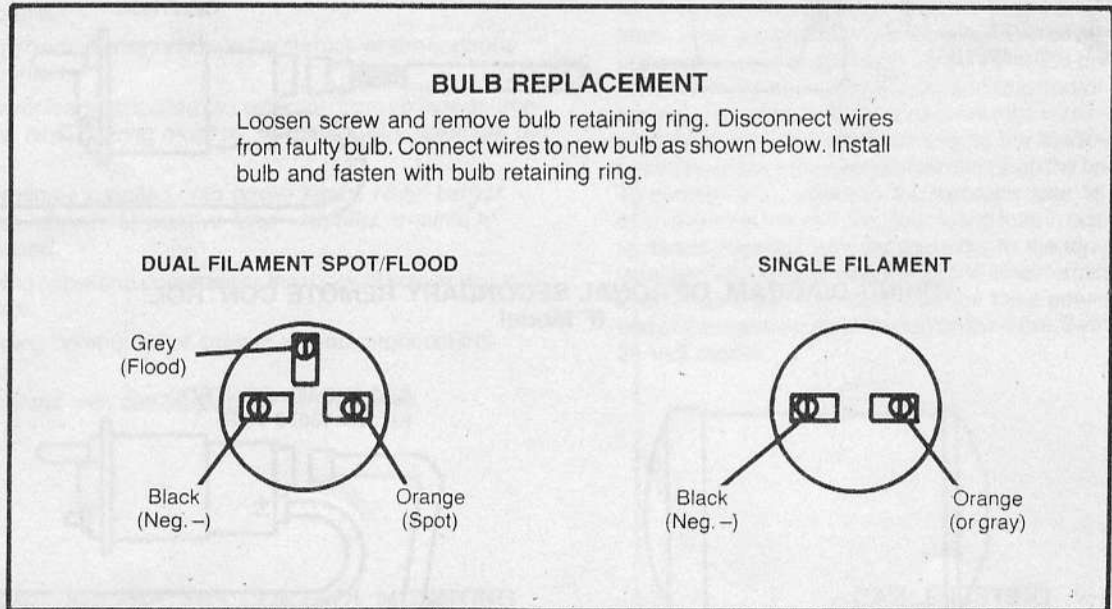


## TROUBLESHOOTING

All lights are thoroughly inspected before shipping and are warranted to operate within specifications. If light does not operate correctly, **CHECK FUSES, AND WIRE HARNESS CONNECTIONS BEFORE PROCEEDING WITH THIS TROUBLESHOOTING.**

PROBLEM	SOLUTION
1. Dual filament bulb works in reverse.	Reverse orange and gray wires at the bulb terminals.
2. Control lever works in reverse in all directions.	See wiring instructions.
3. Light moves in only three of the possible four directions.	A. Check connectors. B. Replace control. C. If problem persists, return light & control for service.*
4. Dim light (low voltage)	A. Check voltage at power source. B. Refer to cable listing for proper wire gage and length.
5. Bulb operates – no light movement or Light moves – bulb does not operate.	Check fuses on front of control

**\*MAJOR SERVICE** – Control assembly or base drive unit assembly should be returned to the factory at 501 W. Liberty St., Springfield, Ohio 45501, for service.

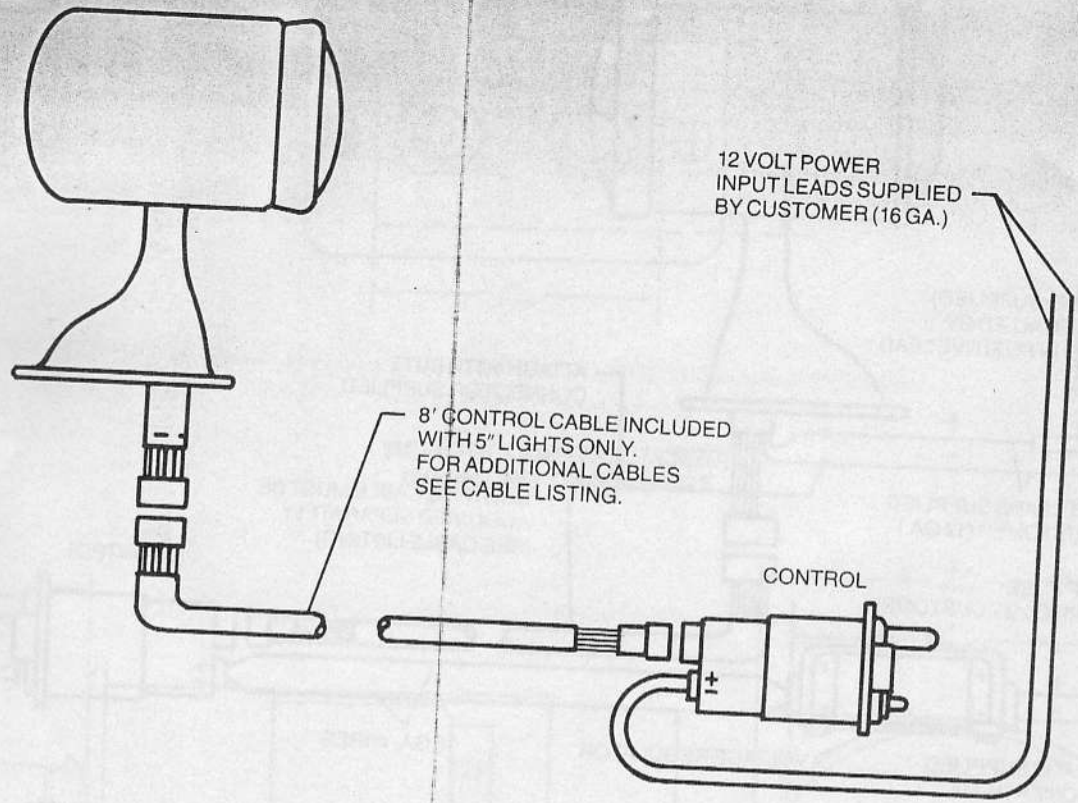


### BULB REPLACEMENT REFERENCE

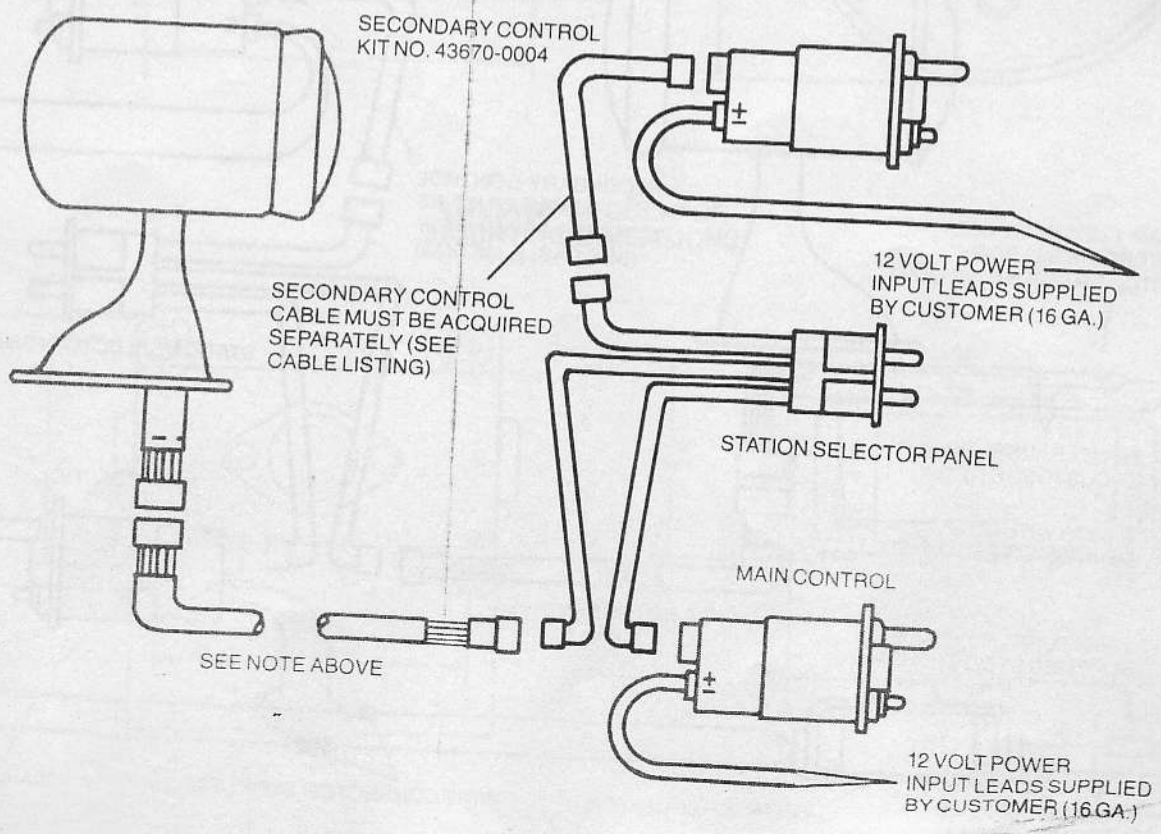
Description	61022 Part #	61025 61026 Part #	61020 (12V) 61040 (24V) Part #	61042 Part #
Bulb 12Vdc (-4002)	67296-0000	67296-0000	67262-0000	67524-0000
Bulb 24Vdc (-4006)			43990-0041	
Halogen S.B. (-4008)		43990-0022		



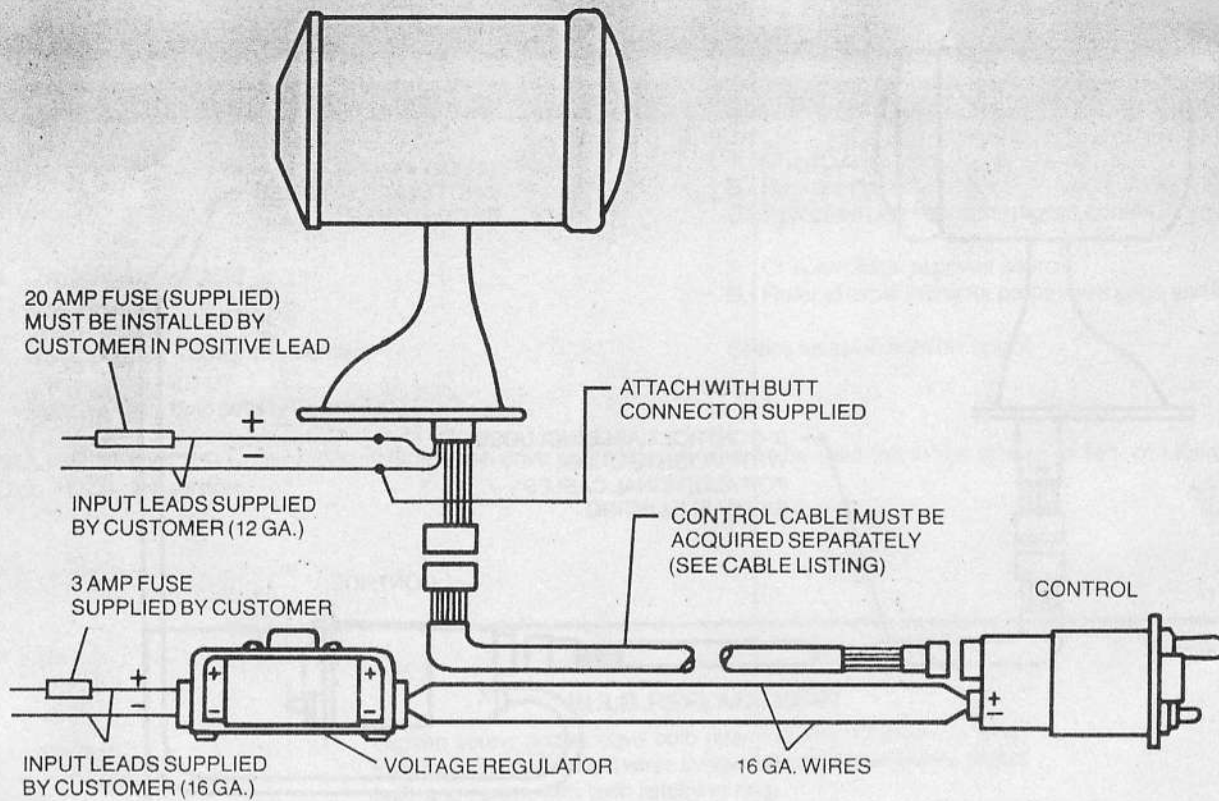
**WIRING DIAGRAM SINGLE CONTROL**  
**5" and 7" 12V Models**  
**5" Halogen Model**



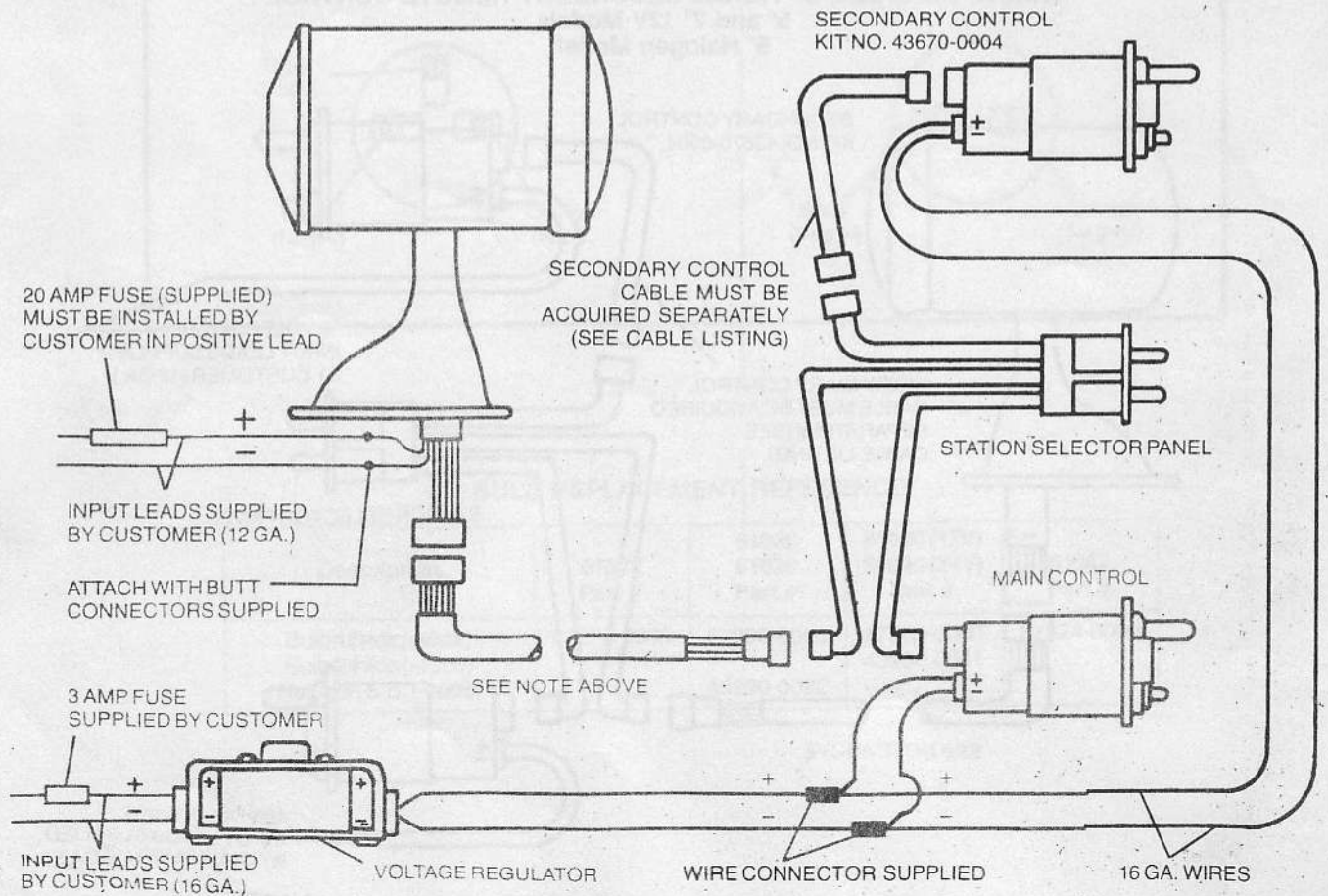
**WIRING DIAGRAM, OPTIONAL SECONDARY REMOTE CONTROL**  
**5" and 7" 12V Models**  
**5" Halogen Model**



**WIRING DIAGRAM SINGLE CONTROL**  
**7" 24 Volt Model**

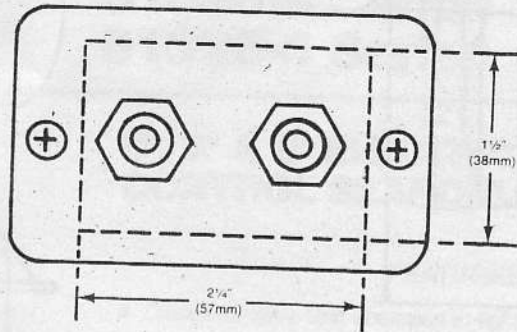


**WIRING DIAGRAM, OPTIONAL SECONDARY REMOTE CONTROL**  
**7" 24 VOLT MODEL**

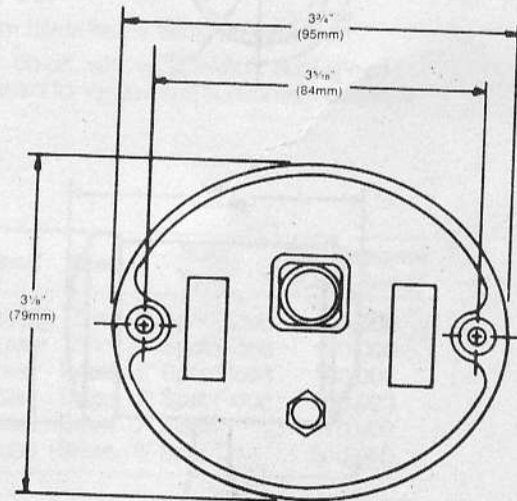
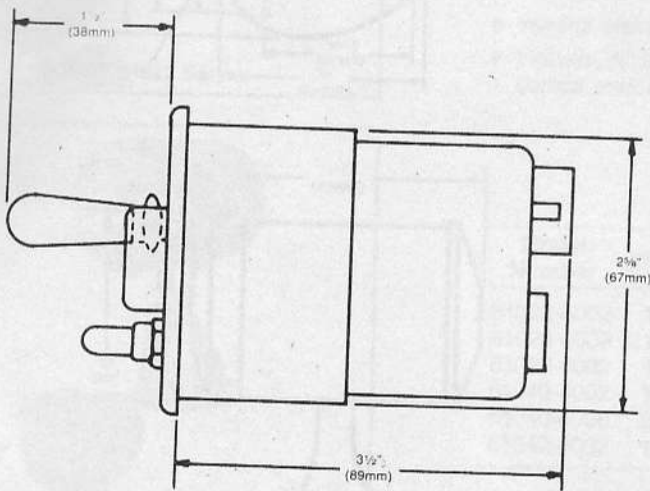




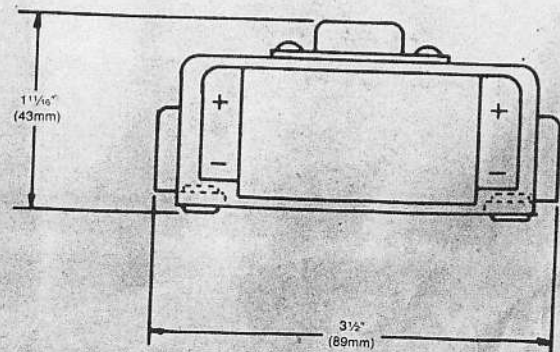
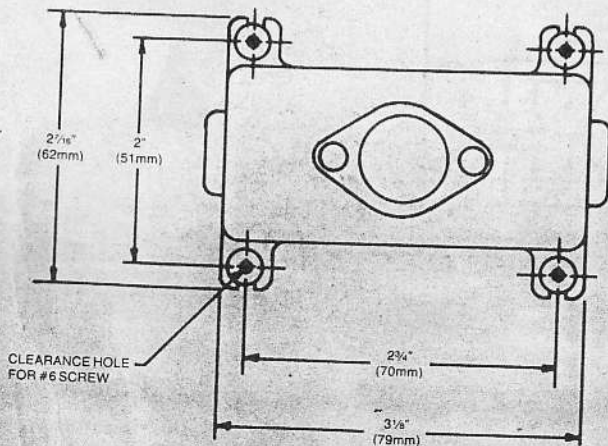
**STATION SELECTOR PANEL  
DRAWING**

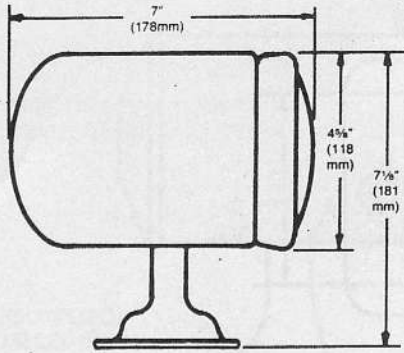


**REMOTE CONTROL (43670)  
MOUNTING DIMENSIONS**

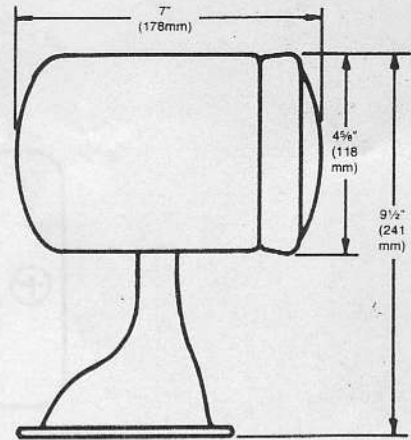
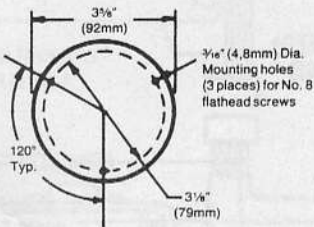


**VOLTAGE REGULATOR  
MOUNTING DIMENSIONS**

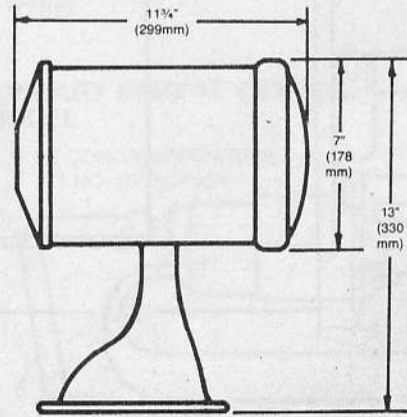
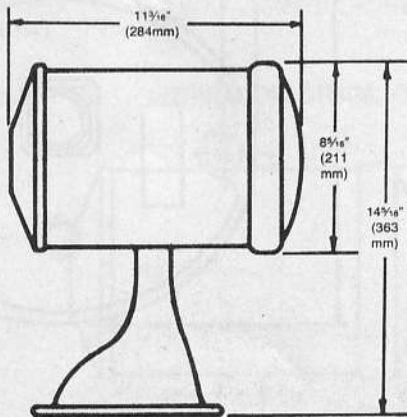
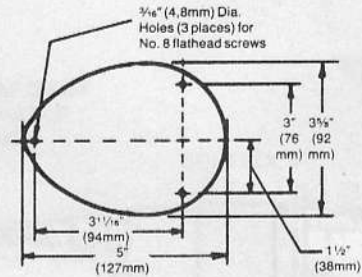




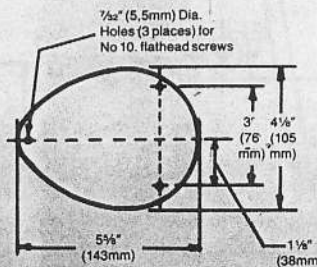
**BASE MOUNTING DIMENSIONS**



**BASE MOUNTING DIMENSIONS**



**BASE MOUNTING DIMENSIONS**



THE PRODUCTS DESCRIBED HEREIN ARE SUBJECT TO THE JABSCO® ONE YEAR LIMITED WARRANTY, WHICH IS AVAILABLE FOR YOUR INSPECTION UPON REQUEST.

**ITT Jabsco**  
 ITT Fluid Technology Corporation  
 1485 Dale Way, P. O. Box 2158  
 Costa Mesa, CA 92628-2158  
 Telephone: (714) 545-8251