

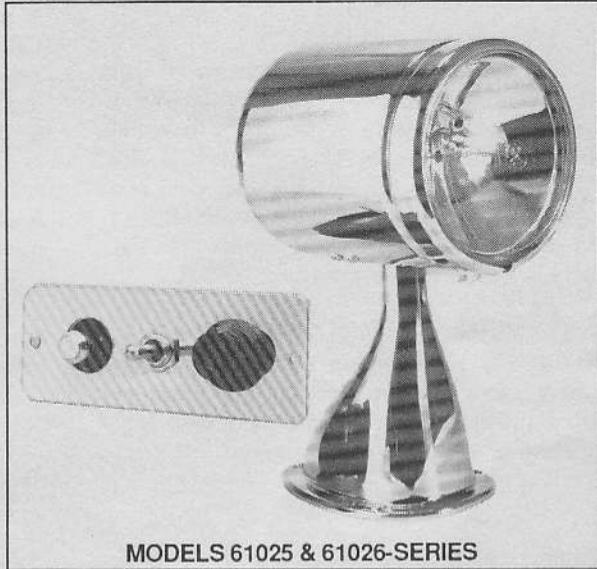


**MODELS 61022-Series 61040-Series
61025-Series 61041-Series
61026-Series 61042-Series**

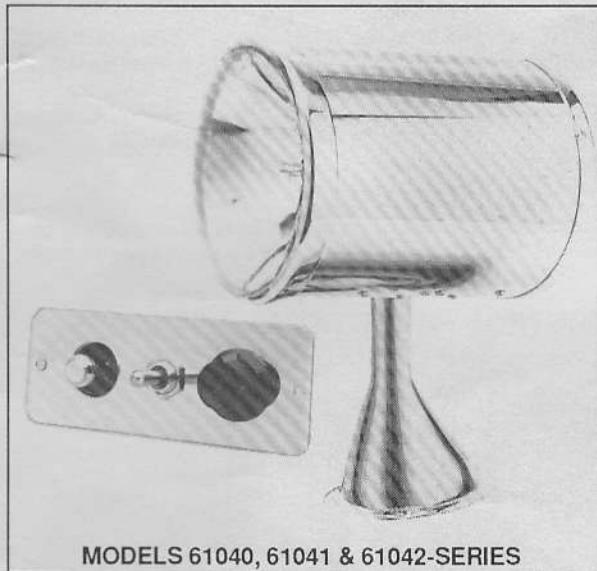
MODELS 61022-Series 61040-Series
61025-Series 61041-Series
61026-Series 61042-Series



MODEL 61022-SERIES



MODELS 61025 & 61026-SERIES



MODELS 61040, 61041 & 61042-SERIES

5", 7" & 8" ELECTRIC REMOTE CONTROL SEARCHLIGHTS

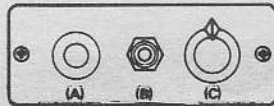
FEATURES

- Complete drive unit enclosed in light housing.
- Single control lever for vertical and horizontal movement.
- Variable speed control for precise beam movement.
- On-off and spot/flood beam selection from a single switch. (Spot only on 8" and flood only on 24 Volt 7" models.)
- Exclusive Clutch-A-Matic features protects drive unit against overload. Can operate for extended periods against limit stops without harm. Light head may be moved manually without damage to the drive unit.
- Internal brake system holds beam firmly on target.
- Includes control panel with on-off, spot/flood switch, variable speed control, and single control for vertical and horizontal movement.

Model Number	Volts	Head	Base	Bulb Type	Candlepower (Combined)	Model Number	Volts	Head	Base	Bulb Type	Candlepower (Combined)
61022-3002	12	Brass	Zinc	5" Spot/Flood	100,000	61040-3002	12	Brass	Brass	7" Spot/Flood	250,000
61025-3002	12	Brass	Zinc	5" Spot/Flood	100,000	61041-3002	24	Brass	Brass	7" Flood	470,000
61026-3002	12	Brass	Brass	5" Spot/Flood	100,000	61042-3002	12	Brass	Brass	8" Spot	500,000

CONTROL UNIT OPERATION SINGLE PANEL CONTROL

SWITCH FUNCTIONS



- (A) Directional Switch - Move it up or down, left or right, and the light will move in the same direction.
- (B) Light Switch - Spot/off/flood switch positions.
- (C) Variable Speed Control - Turn the knob for fast or slow movement of the light head.

LIGHT MOUNTING

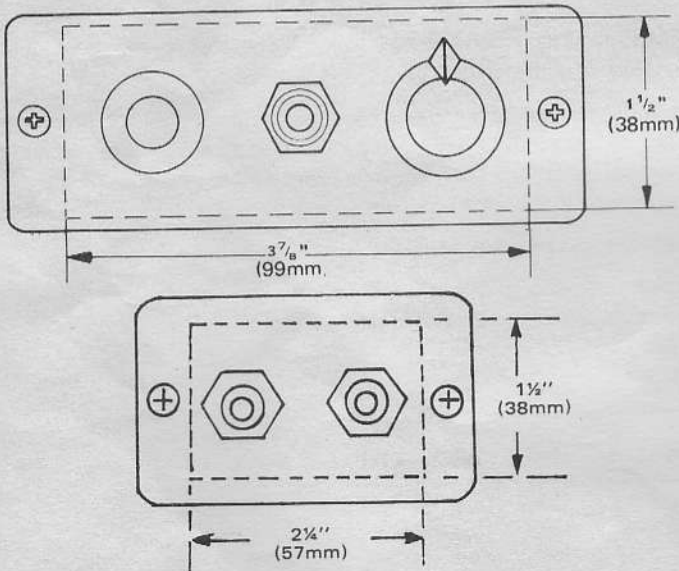
See base mounting dimensions for appropriate model light. Mount all models with front of base toward direction of most intended use (front of circular base is marked with arrow). Drill screw holes (per dimensional drawing) and a 3/8" (10mm) hole at center of base for wiring cable. Drill additional holes for wiring cable through firewalls, bulkheads, etc. for connection to control panel. With gasket under light base, feed wire through hole and fasten light in place.

CONTROL PANEL MOUNTING

CONTROL PANELS: For flush mount, cut rectangular hole in flat surface where panel is to be mounted (see diagrams). Insert wiring cable through hole and mount panel with No. 4 round head sheet metal or wood screws as required.

SERVICE

Individual replacement parts are available for the panel controls shown below. To remove the 4-way directional switch, locate the small holes (top and bottom) in the bracket attached to the rear of the chrome faceplate, depress springs in these holes and pull switch out. The variable speed control and on-off switches can be removed simply by removing the locknuts. To wire the new part into place, cut wires to the old part, and splice wires (with butt connectors) to the new part, being sure to match wire colors.



WIRING

5" Series — Refer to wiring diagrams at right and extension cable instructions below. Connect wires from control panel to plug end of cable assembly, matching colors and plugs. String cable through bulkheads, walls, etc. to the light. **NOTE: SECURE CABLE WITH NYLON CLIPS OR EQUIVALENT, PROTECT INSTALLATION AT POINTS OF STRESS, AND LEAVE ADEQUATE SLACK WHERE CABLE MUST BE FLEXIBLE.**

Connect cable wires to light wires using butt connectors provided. Be sure to match colors and plugs. Connect red fused lead from control panel to positive side of correct voltage power source. Connect white wire to negative.

When installation and wiring is completed, check light operation. If light is inoperative, or does not operate correctly, refer to troubleshooting instructions.

7" Series — Connection of the 61040 and 61041-Series lights is accomplished in the same manner as the 5" Series above. Cable assemblies of the required gauge and length are available separately to assure proper current to the light (see cable listing below).

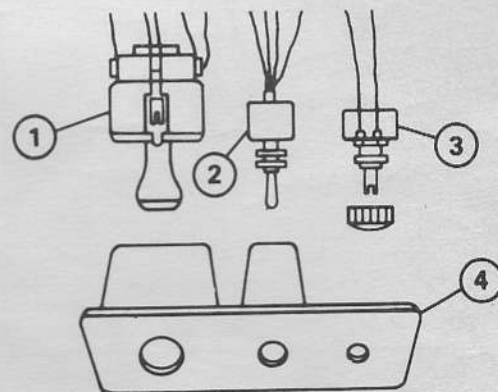
8" Series — Connection of the 61042-Series is accomplished in a similar manner to the 5" Series above, except as noted later. Cable assemblies of the required gauge and length are available separately to assure proper current to the light (see the cable listing below). The light base wiring has additional Red (+) and White (-) 14 gauge power leads which must be connected direct to a power source. The power source wiring must be 10 gauge wire or larger depending on the lead run length and be properly fused as shown.

CABLE LISTING

Part Number	Description	Length	Use
67294-0000	7 conductor, 18 & 12 gauge	50' coil (cut to length at Dealers')	Extension of 5" cable by a maximum of 25'
66076-0020	7 conductor, 18 & 12 gauge	10' (3m)	Wiring of 7" and 8" Series lights. Wiring of Secondary Remote Control Station
66077-0020	7 conductor, 18 & 12 gauge	15' (4,5m)	
66078-0020	7 conductor, 18 & 12 gauge	25' (7,6m)	
66088-0020	7 conductor, 18 & 12 gauge	35' (10,7m)	

NOTE: Any extensions to light wiring beyond limits above should be of 16 gauge wire minimum for control functions and 8 gauge for power circuits.

CONTROL PANEL NO. 66120-0000 PARTS DIAGRAM



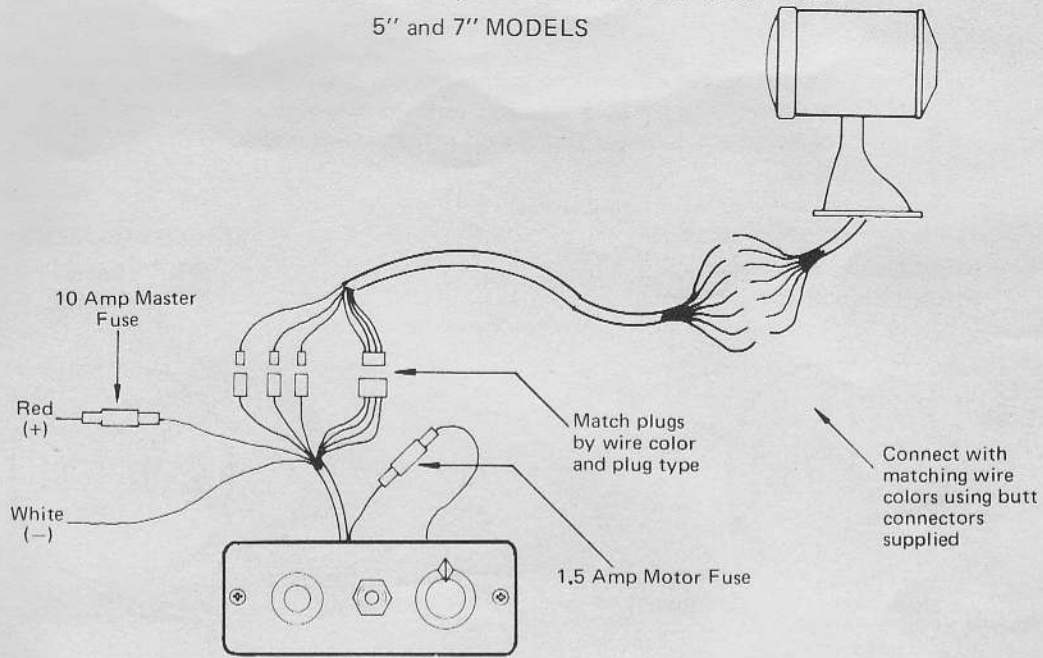
PARTS LIST

Key	Part Number	Description
1	**66122-0000	Directional Switch
2	**66150-0000	Spot/Flood Switch
3	**66153-0000	Speed Control
4	66154-0000	Face Plate

**Indicates 6" presoldered leads and connectors provided.

WIRING DIAGRAM, SINGLE PANEL CONTROL

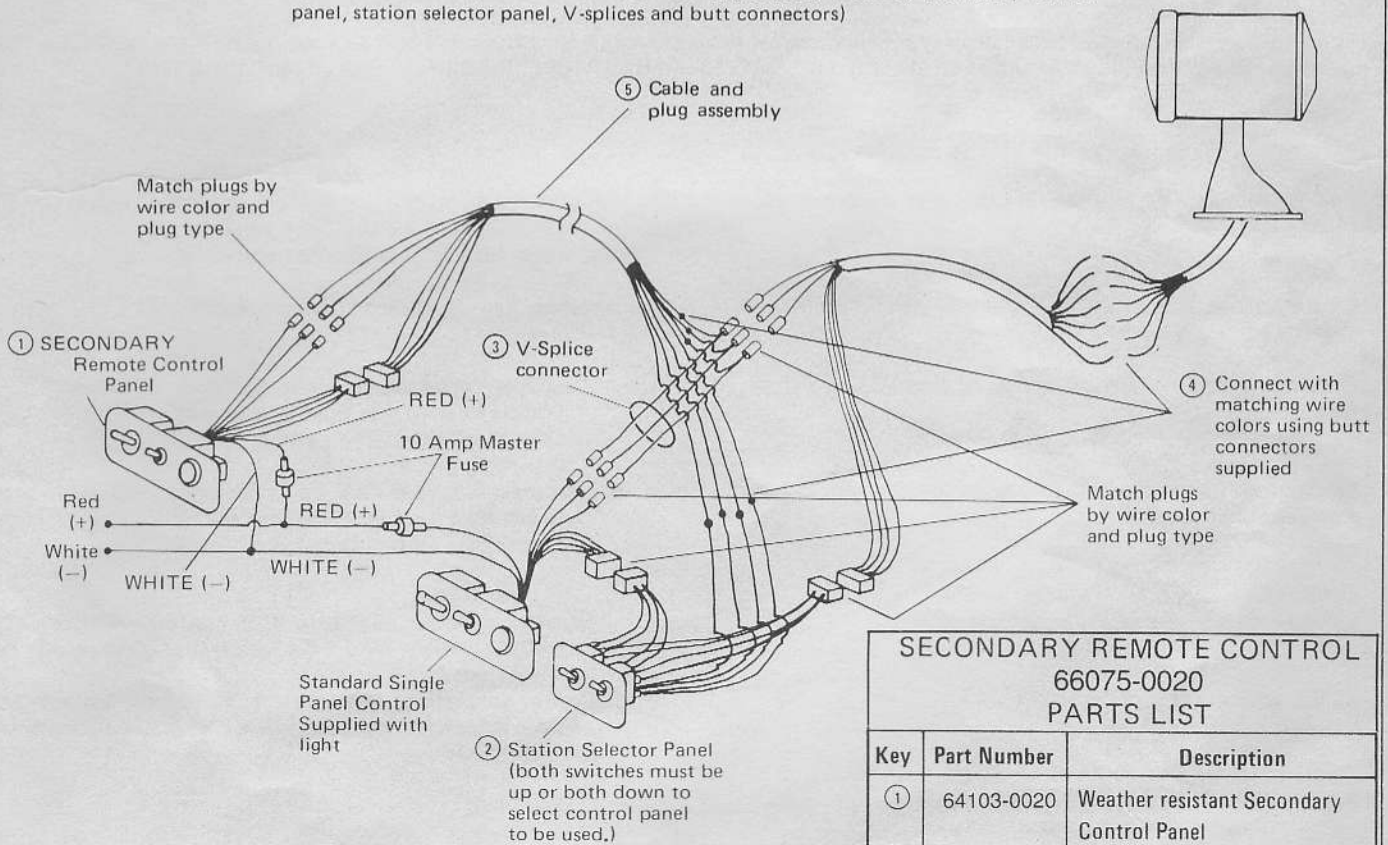
5" and 7" MODELS



WIRING DIAGRAM, OPTIONAL SECONDARY REMOTE CONTROL

5" and 7" MODELS

Optional Secondary Remote Control No. 66075-0020 (includes secondary control panel, station selector panel, V-splices and butt connectors)



SECONDARY REMOTE CONTROL 66075-0020 PARTS LIST

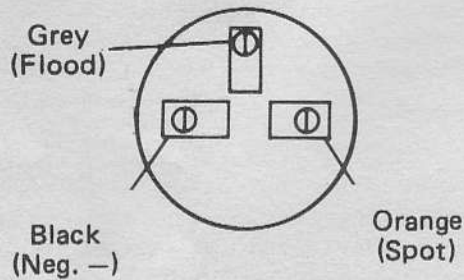
Key	Part Number	Description
①	64103-0020	Weather resistant Secondary Control Panel
②	64073-0020	Station Selector Panel
③	64074-0000	V-Splices
④	66158-0000	Butt Connectors
⑤	See Cable Listing	Secondary Control Cable must be acquired separately

BULB REPLACEMENT

Loosen screw and remove bulb retaining ring. Disconnect wires from faulty bulb. Connect wires to new bulb as shown below. Install bulb and fasten with bulb retaining ring.

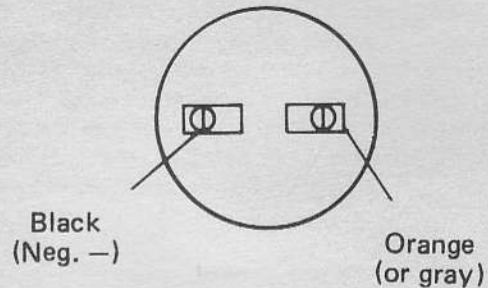
DUAL FILAMENT SPOT-FLOOD

61022-Series 61026-Series
61025-Series 61040-Series



SINGLE FILAMENT

61041-Series
61042-Series



TROUBLESHOOTING

All lights are thoroughly inspected before shipping and are warranted to operate within specifications. If light does not operate correctly, CHECK FUSES, WIRE HARNESS CONNECTIONS AND COLOR MATCHING OF WIRES BEFORE PROCEEDING WITH THIS TROUBLESHOOTING.

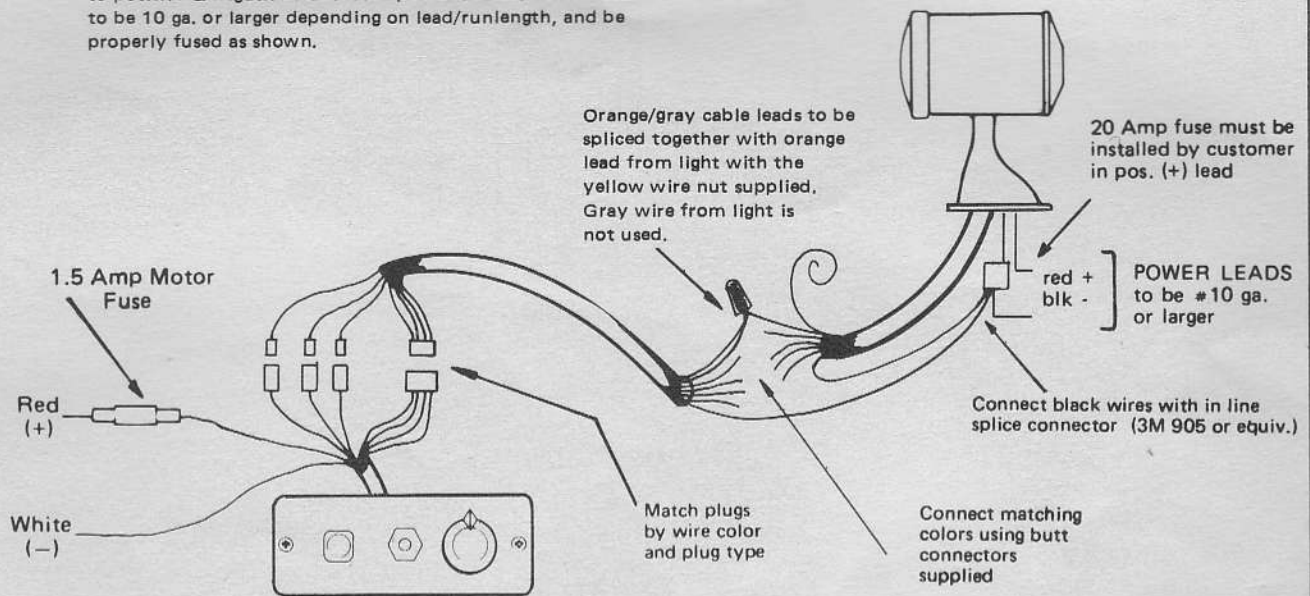
Problem	Solution
1. Dual filament bulb works in reverse (up is spot, down is flood)	Disconnect orange and gray wires. Reconnect as follows: (Orange from light) to (Gray from switch) (Gray from light) to (Orange from switch)
2. Control lever works in reverse in all directions (left is right, down is up, etc.)	Reverse Red and White battery connections
3. Control lever works in reverse in horizontal direction only (left is right and right is left)	Disconnect Yellow and Blue wires. Reconnect as follows: (Yellow from light) to (Blue from switch) (Blue from light) to (Yellow from switch)
4. Control level works in reverse in vertical direction only (up is down, and down is up)	Disconnect Green and Violet wires. Reconnect as follows: (Green from light) to (Violet from switch) (Violet from light) to (Green from switch)
5. Light moves in only three of the four possible directions: <ol style="list-style-type: none"> One horizontal direction is inoperative One vertical motion is inoperative 	Reverse connection as in Step 3. If opposite horizontal motion becomes inoperative, replace the switch. If problem persists, return light for service.* Reverse connections as in Step 4. If opposite vertical motion becomes inoperative, replace the switch. If problem persists, return light for service.*

*Return light for service at the factory, ITT Jabsco, 501 W. Liberty Street, Springfield, Ohio 45501

SINGLE PANEL CONTROL WIRING DIAGRAM

8" MODELS

Note "A": Connect red & black leads (14 ga. wire) from light to positive & negative leads from power source. Power leads to be 10 ga. or larger depending on lead/runlength, and be properly fused as shown.

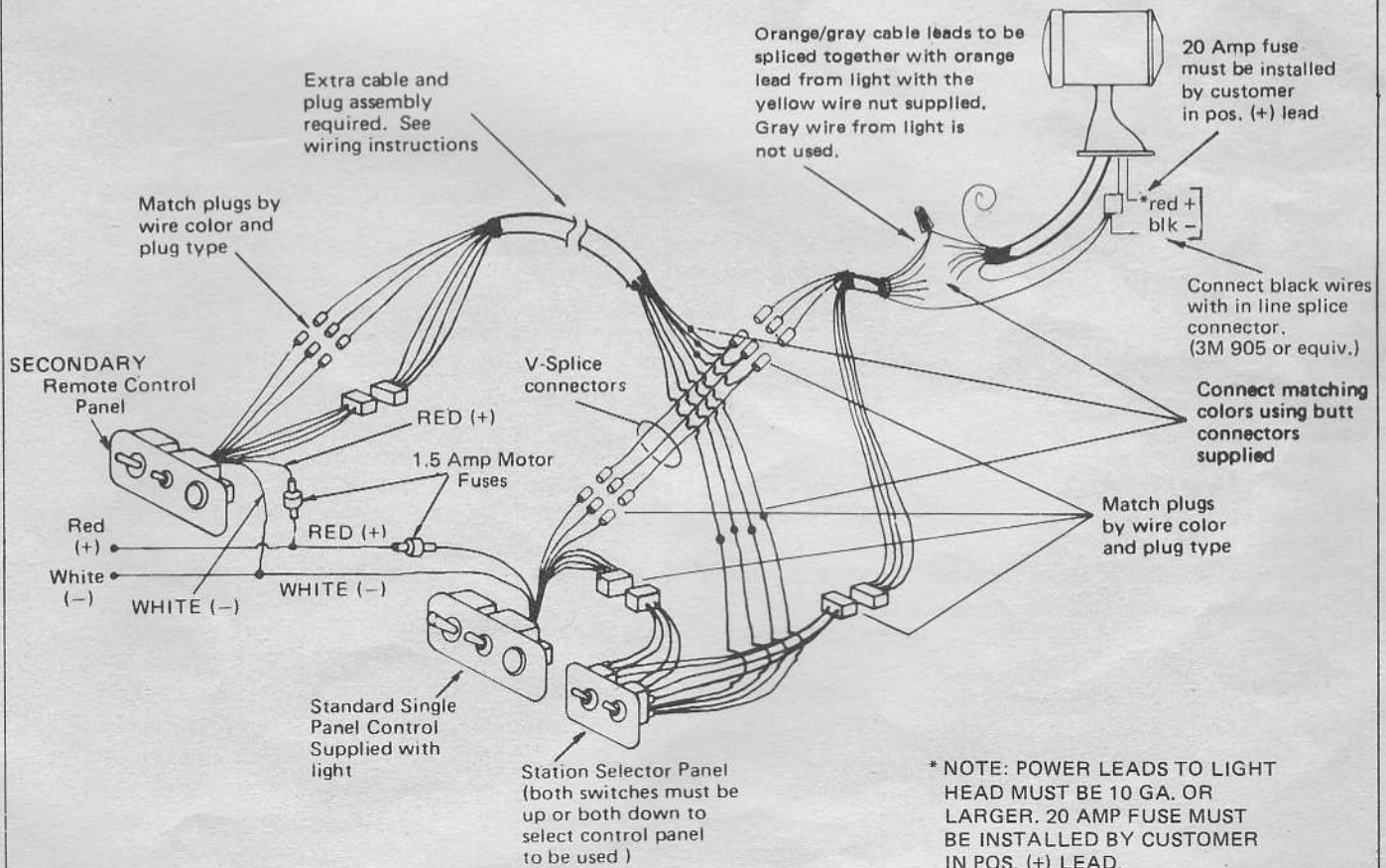


OPTIONAL SECONDARY REMOTE CONTROL WIRING DIAGRAM

8" MODELS

Optional Secondary Remote Control No. 66075-0020

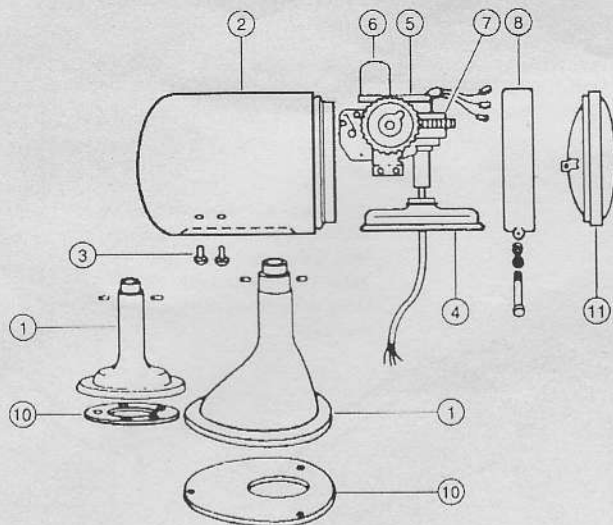
(includes panel, station selector panel, V-splices, and butt connectors).



SEE TWO STATION PARTS LIST ON PAGE 3.

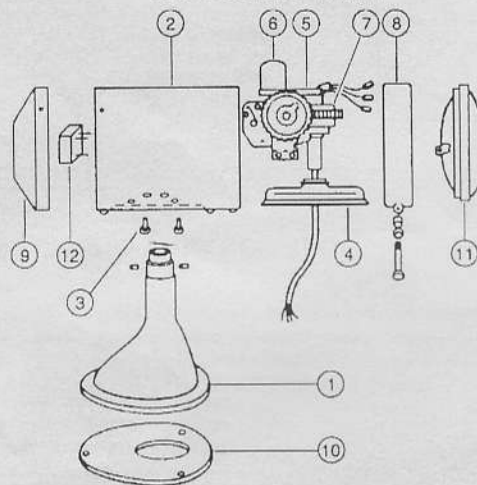
EXPLODED VIEW

MODELS 61022-3002
61025-3002
61026-3002



EXPLODED VIEW

MODELS 61040-3002
61041-3002
61042-3002

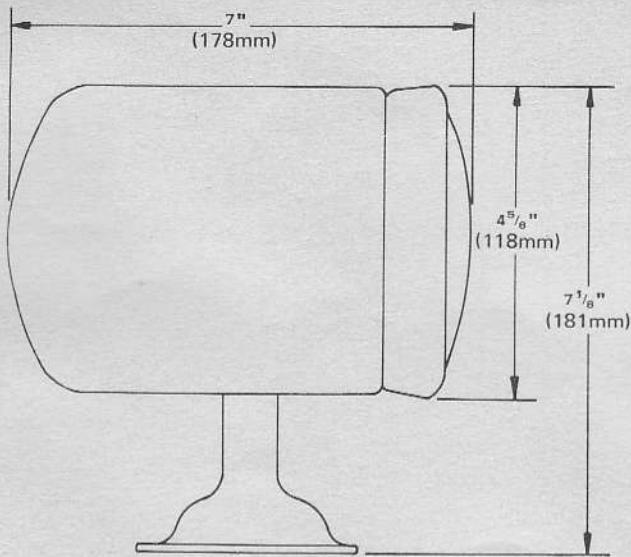


PARTS LIST

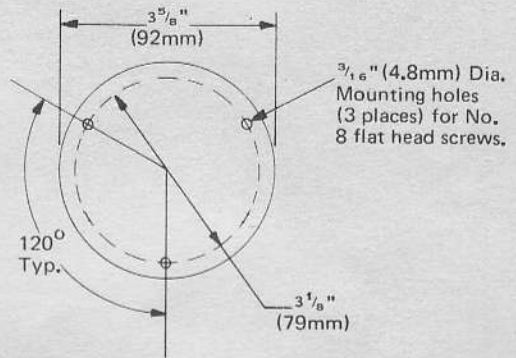
SEARCHLIGHT MODEL No. AND DIAGRAM REFERENCE

Key No.	Part Description	61022-3002		61025-3002 61026-3002		61040-3002 (12v) 61041-3002 (24v)		61042-3002	
		Part No.	Qty.	Part No.	Qty.	Part No.	Qty.	Part No.	Qty.
1	Base (includes set screw) Chrome - Zinc Chrome - Brass	66130-0000 ----	1 —	66132-0000 43990-0030	1 1	----- 43990-0031	— 1	----- 43990-0031	— 1
2	Housing (rubber boot installed) (includes end bell (No.8) on 7" & 8") Chrome - Brass Housing	43990-0032	1	43990-0032	1	43998-0000	1	43966-0000	1
3	Screws for mounting housing (package of 4 screws)	66138-0000	1	66138-0000	1	66138-0000	1	66138-0000	1
4	Rubber Boot (includes straps and fasteners)	43990-0045	1	43990-0045	1	43990-0046	1	43990-0046	1
5	Motor Clutch Assembly (assembled and wired) 12v 24v	43990-0036 -----	1 —	43990-0036 -----	1 —	43990-0037 43990-0038	1 1	43990-0047 -----	1 —
6	Motor & Pinion Kit (vertical)	43990-0054	1	43990-0054	1	43990-0054	1	43990-0054	1
7	Motor & Pinion Kit (horizontal)	43990-0055	1	43990-0055	1	43990-0055	1	43990-0055	1
8	Bulb Retaining Ring (chrome) (w/fasteners)	66149-0000	1	66149-0000	1	43990-0039	1	43990-0040	1
9	End Bell (w/fasteners)	-----	—	-----	—	See Item 2	—	See Item 2	—
10	Gasket (base mount)	66155-0000	1	66156-0000	1	66157-0000	1	66157-0000	1
11	Bulb 12 VDC 24 VDC	67296-0000 -----	1 —	67296-0000 -----	1 —	67262-0000 66165-0000	1 1	67524-0000 -----	1 —
12	Primary Power Relay	-----	—	-----	—	-----	—	43990-0011	1

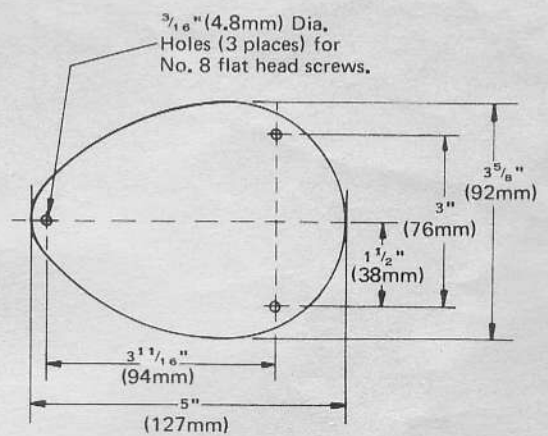
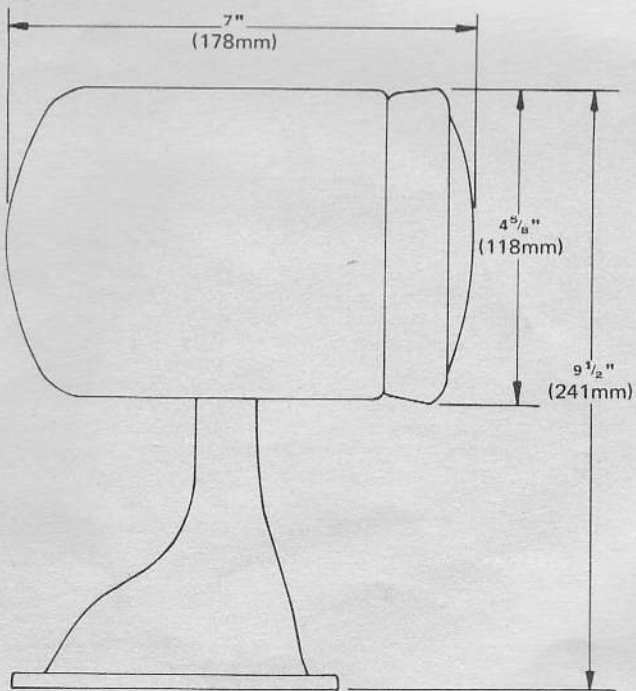
DIMENSIONAL DRAWINGS



BASE MOUNTING DIMENSIONS

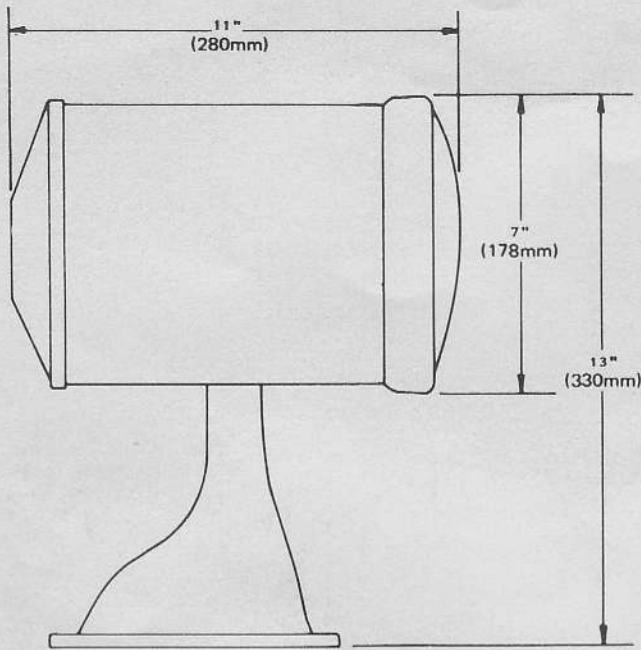


61022-3002

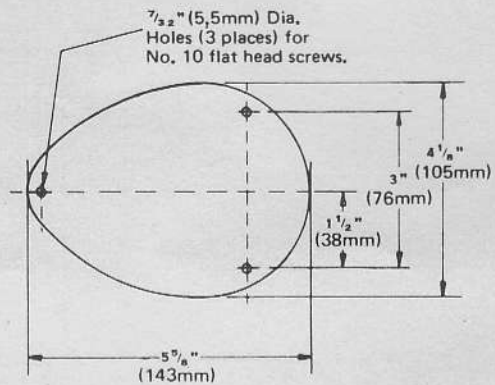


BASE MOUNTING DIMENSIONS

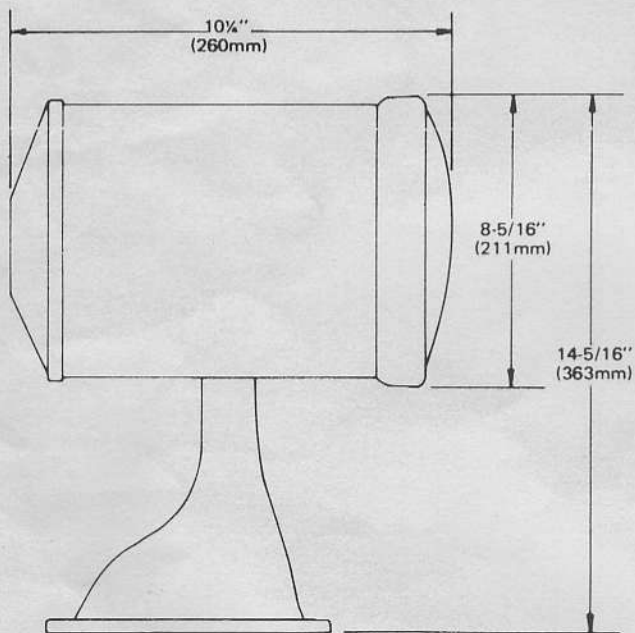
61025-3002/61026-3002



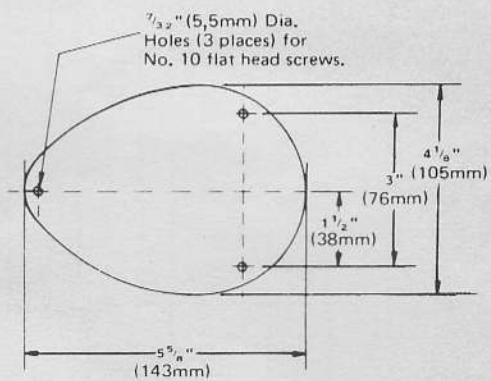
BASE MOUNTING DIMENSIONS



61040-3002/61041-3002



BASE MOUNTING DIMENSIONS



61042-3002

THE PRODUCTS DESCRIBED HEREIN ARE SUBJECT TO THE JABSCO® ONE YEAR LIMITED WARRANTY, WHICH IS AVAILABLE FOR YOUR INSPECTION UPON REQUEST.

ITT Jabsco

ITT Fluid Technology Corporation
 1485 Dale Way, P.O. Box 2158, Costa Mesa, Ca 92628-2158
 Tel: (714) 545-8251; Fax: (714) 957-0609
 Bingley Road, Hoddesdon, Hertfordshire EN11 0BU, England
 Tel: 0992-467191; Tlx: 26351 G; Fax: 0992-467132