



270 Size Bronze Flexible Impeller Pump Head Kit

2/99

53270 Series

Bronze Flexible Impeller Pump

Features

- Flows up to 270 Litres/Minute @ 1500 RPM
- Self prime from dry up to 4.5 metres
- Handles hard or soft solids
- Non pulsating flow
- Gentle pump action does not damage shear-sensitive products
- Easy to service and maintain



Typical Applications

Industrial : From water to the most difficult, e.g. transferring foaming solutions with entrained air or solids, such as soap, circulating abrasive and non abrasive slurries. Transferring inks, dyes, starches etc.

Chemical : Circulating and transferring various chemicals such as ammonia, barium, copper sulphate, glycerine, nickel chloride, silver nitrate; various acids such as boric, carbonic, citric and photo processing solutions, widely used for polyelectrolyte.

Model Options

Impeller option	Neoprene	Nitrile
Temperature range	4°C to 80°C	-5°C to 90°C
Pump head only	53270-2011	53270-2013

Note : it is not recommended to start the pump at extreme ends of the temperature range, impeller damage may occur

All models use Nitrile seal elastomers

Other options available, Pedestal & Motor pump units, in Bronze, Plastic & Stainless steel

Specifications

Seal : Carbon/Ceramic mechanical seal

Pump Head : Bronze

End Cover : Brass

Bearings : Uses motor bearings

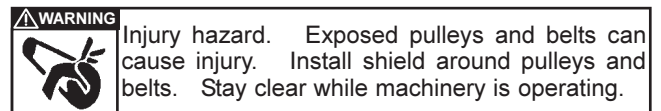
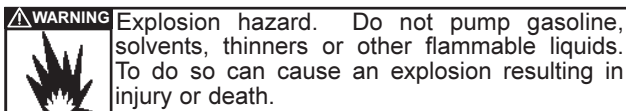
Shaft : 316 Stainless steel shaft extension

Motor adaptor : Epoxy-coated aluminium, suitable for B3/B14 D100 frame motor to IEC 71 standard

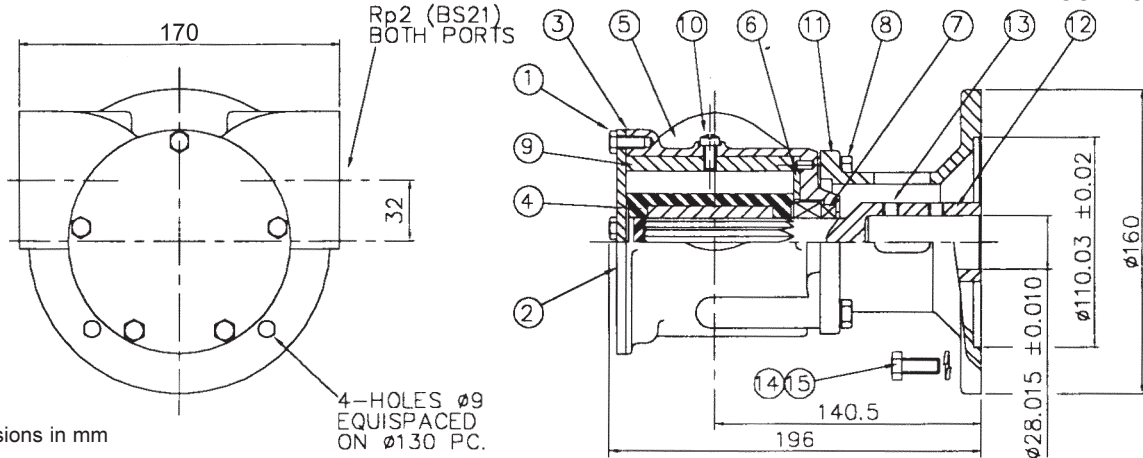
Ports : 2" BSP internal thread

Weight : 9.3kg.

For Installation, Operating, Maintenance and Safety Instructions refer to form 43001-0543



53270 Series



Dimensions in mm

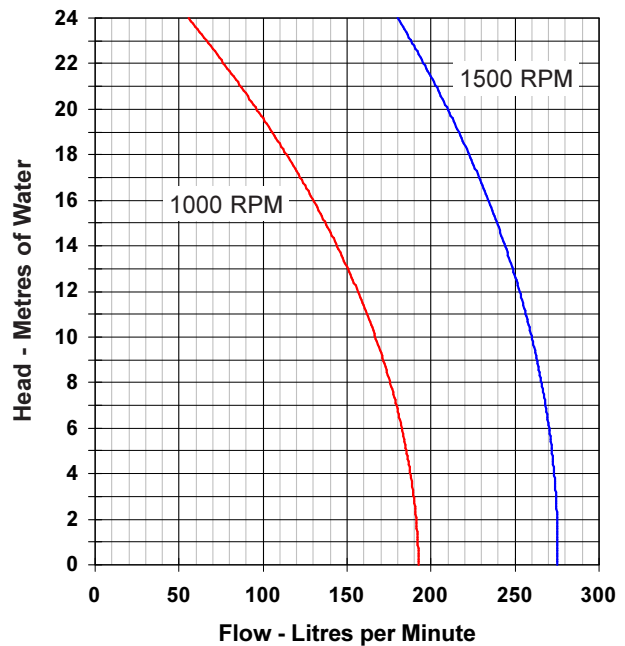
Parts List

Key	Description	Qty	Part No.	
1	Screw*	5	X3001-176F	
2	Endcover	1	9336	
3	Gasket*	1	816	
4	Impeller*	1	17936-0001	
5	Body	1	50274-2100	
6	Wearplate	1	2574	
7	Seal assembly*	1	21849	
8	Screw	4	X3001-209C	
8a	Washer	4	X3081-101C	
9	Cam	1	6988	
10	Screw	Cam	1	SP1005-04
11	Adaptor	1	22884	
12	Extension	Shaft	1	22887-01
13	Screw	Set	2	X3009-203A
14	Screw	4	X3001-209C	
15	Washer	4	X3081-101C	

Parts marked * above are contained in a Service kit
 Service kit 1 SK408-0011

Mechanical seals are fitted with Nitrile elastomers.

Performance



Note : Performance shown is for a new pump, fitted with a Neoprene impeller, pumping water at 20°C, performance may vary by up to 15%. Consult factory for performance of alternative impeller compounds.

Jabsco



ITT Industries

USA

Jabsco
 1485 Dale Way
 Costa Mesa
 CA 92628-2158

Tel : +1 714 545 8251
 Fax : +1 714 957 0609

UK

Jabsco
 Bingley Road
 Hoddesdon
 Hertfordshire, EN11 0BU

Tel : +44 (0) 1992 450 145
 Fax : +44 (0) 1992 467 132

GERMANY

Jabsco GmbH
 Oststraße 28
 22844 Norderstedt

Tel : +49 (0) 40 53 53 73 0
 Fax : +49 (0) 40 53 53 73 11