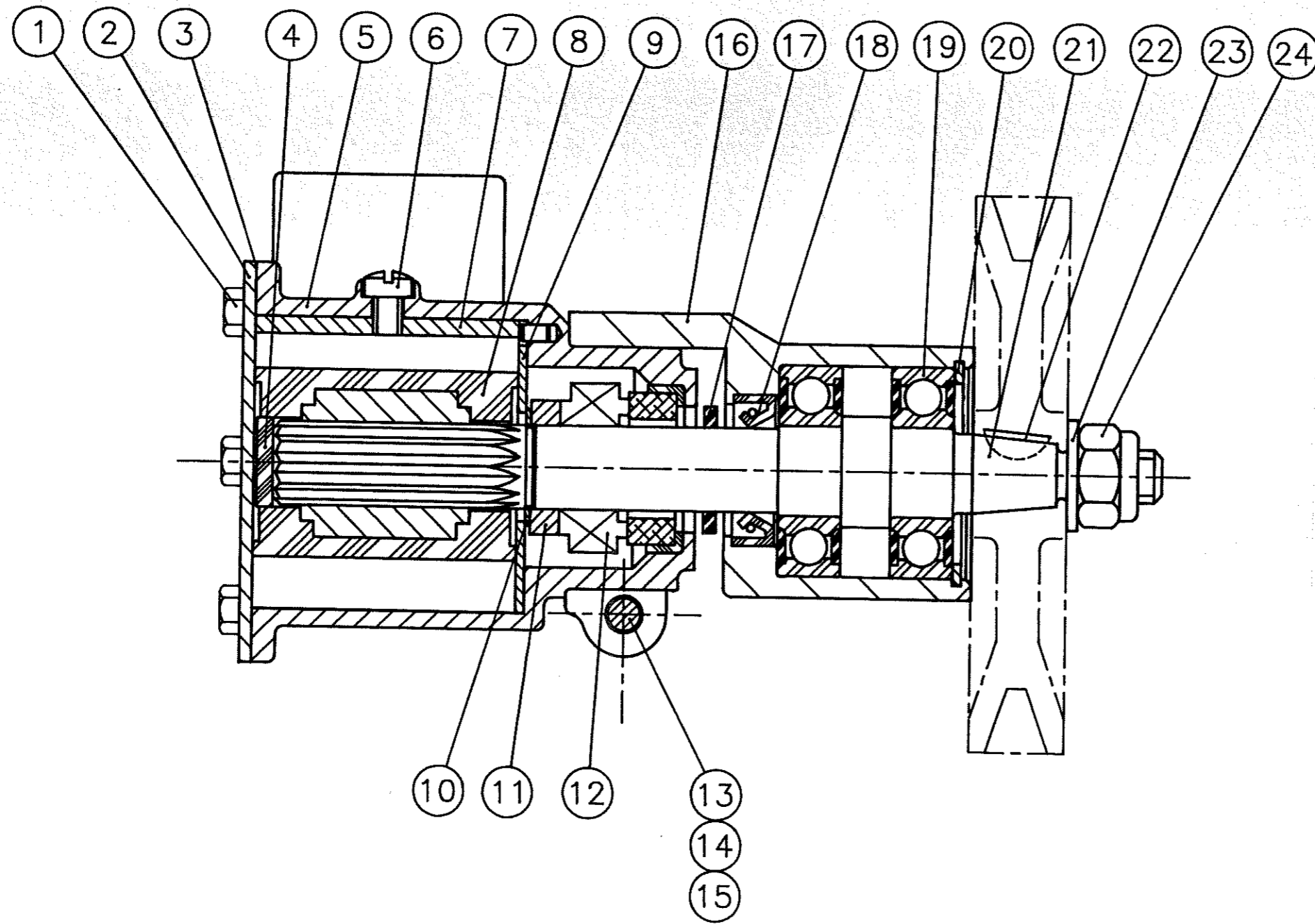
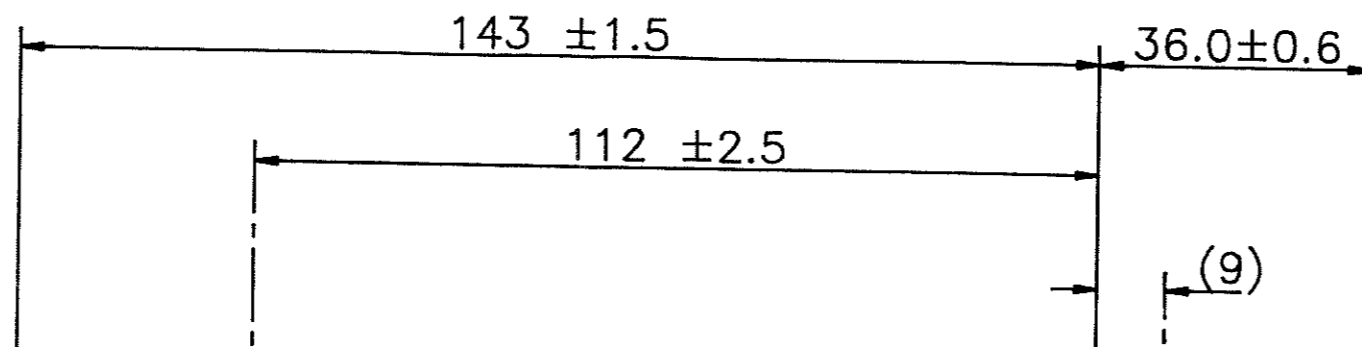


ALL DIMENSIONS IN MILLIMETRES



KEY	DESCRIPTION	QTY.
1	SCREW-END COVER	6
2	END COVER	1
3	GASKET	1
4	SPLINE PLUG	1
5	BODY	1
6	SCREW-CAM	1
7	CAM (HALF)	1
8	IMPELLER	1
9	WEARPLATE	1
10	RETAINING RING	1
11	SPACER	1
12	MECH SEAL ASSY	1
13	BOLT	1
14	WASHER	1
15	NUT	1
16	BEARING HOUSING	1
17	SLINGER	1
18	LIPSEAL	1
19	BEARING	2
20	RETAINING RING	1
21	SHAFT	1
22	KEY	1
23	WASHER	1
24	NYLOC NUT	1

SECTION X - X



SPZ P
(CUSTO

50120-2051[* PUMP BRZ FLG 060 (8530)]

Bill of Materials for this pump is as follows:-

*23400-0089	01 TEST INSTRUCTIONS (RE EA		
*23700-0015	01 ASSEMBLY INSTRUCTIONS EA		
*50120-2051	01 ASSEMBLY DRAWING (REF EA		1.
PC100-0007	01 CARTON 153x209x223 EA		1.
SP1004-10	01 SCREW 12-24x1/4 EA		1.
SP1095-09	01 BOLT 1/4 $\frac{1}{2}$ 20 UNC HEX H EA		1.
SP1105-03	01 NUT 1/4-20 UNC ZN EA		1.
SP1402-0200	01 KEY-DRIVE (S2) 13x5x3 EA		1.
SP1602-06	01 WASHER EA		1.
SP1700-284	01 RETAINING RING INT DI EA		1.
SP1700-62	01 RETAINING RING EXT DI EA		1.
SP2600-12	01 BEARING (6203-2RS1/C3 EA		2.
SP2701-21	01 SEAL LIP 5/8x1-1/8x5/ EA		1.
SP8019-01	01 SCREW 8x32x1/4 EA		6.
RBRB4845	01 * OBSOLETE (6/03) FT		.
X3072-007F	01 NUT M10 NYLOC SS EA		1.
X3080-111F	01 WASHER-ST.ST.M10 EA		1.
18777-0101	01 * IMPELLER FINISHED EA		1.
21179	01 SPACER EA		1.
RBRT4600	01 BRASS TUBE OD 1 X1/2" FT		.
22224	01 BODY BRZ 060 EA		1.
SP3100-10	01 PIN EA		1.
22223	01 BODY CASTING EA		1.
22308	01 CAM BRASS 060 1/2 EA		1.
22318	01 CAM BRASS 060 FULL EA		1.
22626-6000	01 * SEAL ASSEMBLY EA		1.
23007-4946	01 LABEL-CARTON (50120-2 EA		1.
29535-0100	01 END COVER BRASS 040 EA		1.
RBRS4490	01 STRIP-BRASS 3-5/16X13 FT		.
3286	01 SLINGER EA		1.
3298	01 GASKET EA		1.
4345	01 SEAL SPLINE EA		1.
50123-0000	01 HOUSING-BRG. EA		1.
50123-8000	01 CASTING-BRG.HOUSING EA		1.
50127-0000	01 * SHAFT-060 BRZ PUMP EA		1.
RSSB1520	01 BAR PLD 1.4057: 1" FT		.
7883	01 WEARPLATE BRASS 040 EA		1.
RBRS4420	01 STRIP-BRASS 2-5/16X16 FT		